



DATA SHEET

SMD LED Connector

Serie: TA11002

SMD LED Connector

Serie No.: **TA11002**

Customer:

DRW:	Jason	CHKD	Wilson	MATL:	Wilson	TOLERANCE	Mason	DATE	08.11.2013
APPD:	Schumi			FINISH	Jamy		Sheet No.		1 from 6

EDCON-COMPONENTS



Specifications

Rated Current: 6,0A
 Contact Resistance: 18m Ω max.
 Withstand Voltage: 1500 V AC/DC
 Insulation Resistance: 1000M Ω min.
 Operation Temperature: -40°C ~ + 105°C

 Contact Material: Phosphor Bronze
 Contact Plating: Matt tin plated over Nickel
 Insulator Material: LCP + 30% GF UL94V-0 Black or White

Dimension

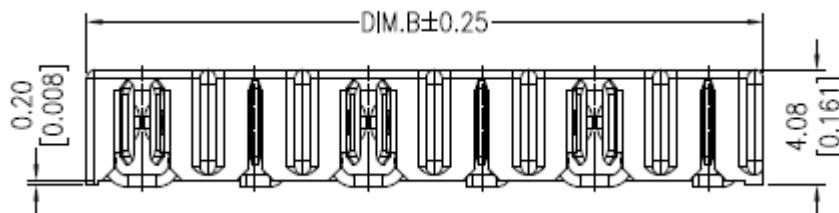
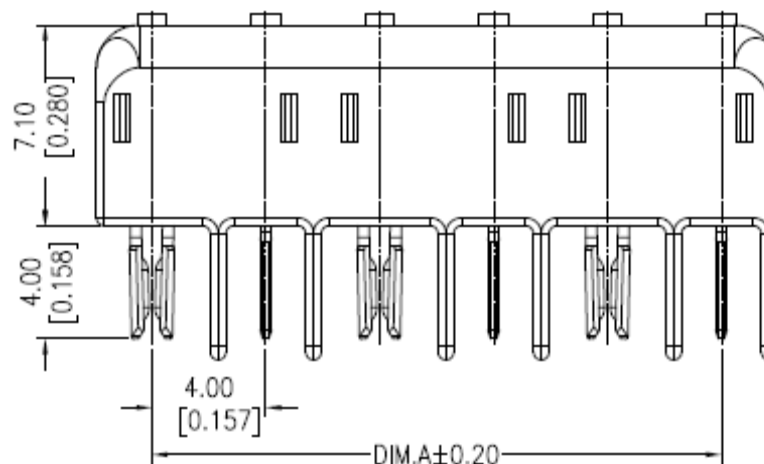
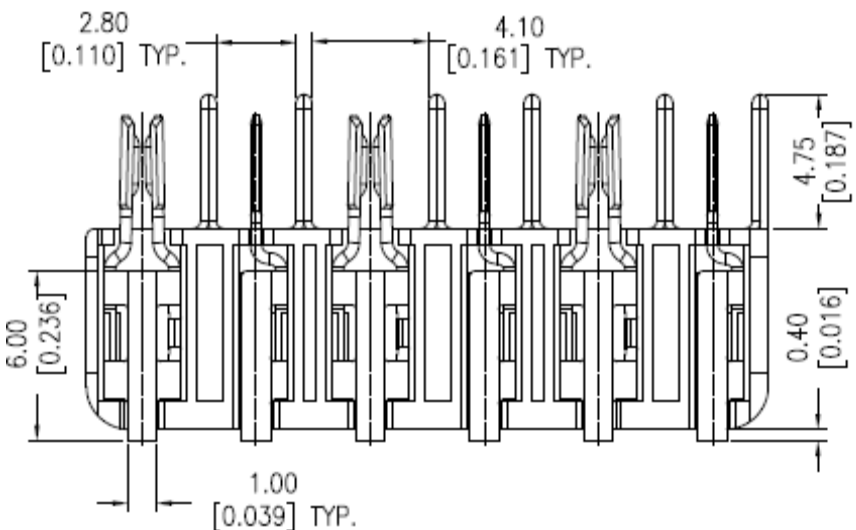
No of Pos.	Dimension (mm)	
	Dim. A	Dim. B
2	4,0	7,9
4	12,0	15,9
6	20,0	23,9

SMD LED Connector

Part No.: **TA11002**

DRW:	Jason	CHKD	Wilson	MATL:	Wilson	TOLERANCE	Mason	DATE	08.11.2013
APPD:	Schumi			FINISH	Jamy		Sheet No.	2 from 6	Customer:

EDCON-COMPONENTS



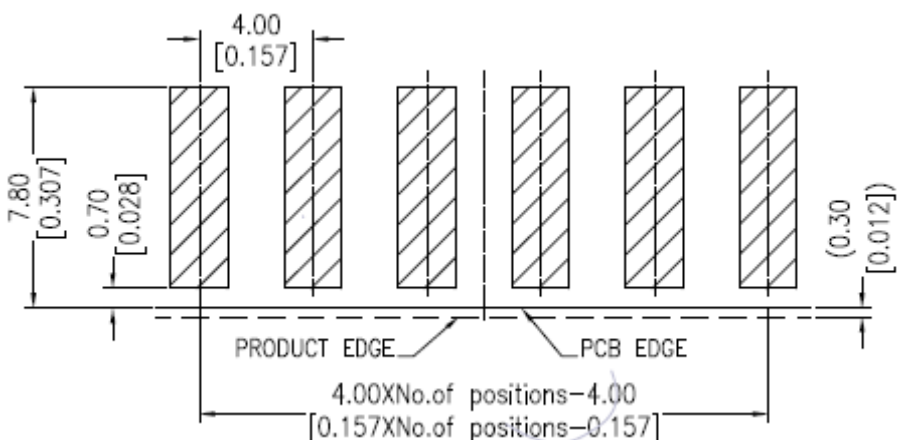
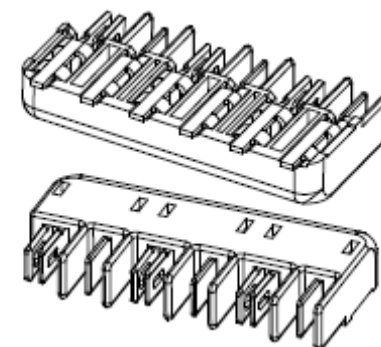
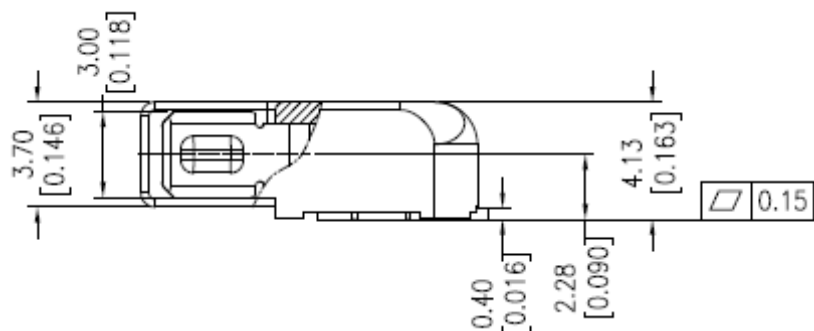
SMD LED Connector	
Part No.:	TA11002
Customer:	

DRW:	Jason	CHKD	Wilson	MATL:	Wilson	TOLERANCE	Mason	DATE	08.11.2013
APPD:	Schumi			FINISH	Jamy		Sheet No.	3 from 6	

www.edcon-components.com

email: info@edcon-components.com

EDCON-COMPONENTS



SMD LED Connector	
Part No.:	TA11002
Customer:	

DRW:	Jason	CHKD	Wilson	MATL:	Wilson	TOLERANCE	Mason	DATE	08.11.2013
APPD:	Schumi			FINISH	Jamy		Sheet No.	4 from 6	

www.edcon-components.com

email: info@edcon-components.com

EDCON-COMPONENTS



Ordering Informations

Serie	No of Position	Housing Color	Special function	Special function	ROHS	Packing Code				
-------	----------------	---------------	------------------	------------------	------	--------------	--	--	--	--

TA11002	02	WH	0	0	R	BU				
---------	----	----	---	---	---	----	--	--	--	--

02 / 04 / 06 Pos.	BK= Black	0= no special function	0= no special function	R= ROHS Conform	BU= Bulk Ware
	WH= White			N= NON ROHS Conform	TC= TUBE w. Cap
					TR= Tape/ Reel w. CAP

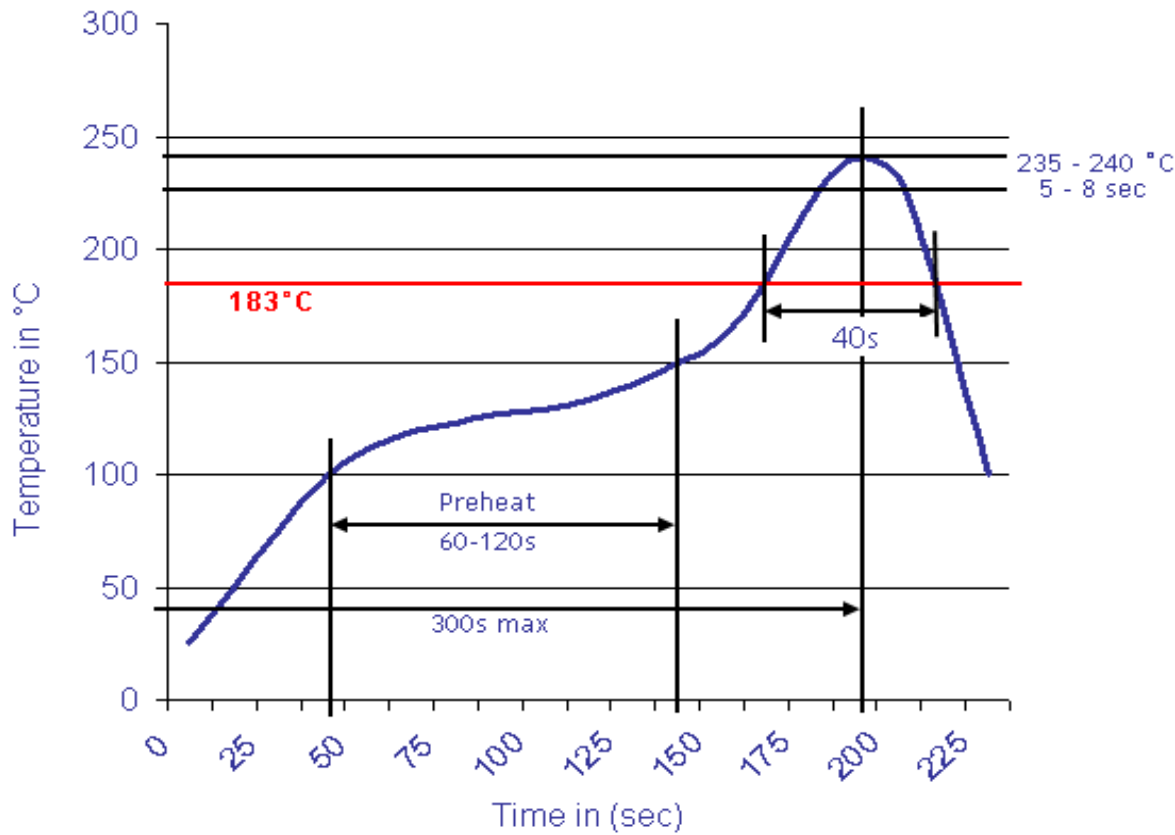
SMD LED Connector
Part No.: TA11002
Customer:

DRW:	Jason	CHKD	Wilson	MATL:	Wilson	TOLERANCE	Mason	DATE	08.11.2013
APPD:	Schumi			FINISH	Jamy		Sheet No.		5 from 6



Soldering Profile Curve

Classification Reflow Profile (JEDEC J-STD-020C)



SMD LED Connector	
Part No.:	TA11002
Customer:	

DRW:	Jason	CHKD	Wilson	MATL:	Wilson	TOLERANCE	Mason	DATE	08.11.2013
APPD:	Schumi			FINISH	Jamy		Sheet No.	1 from 6	

