

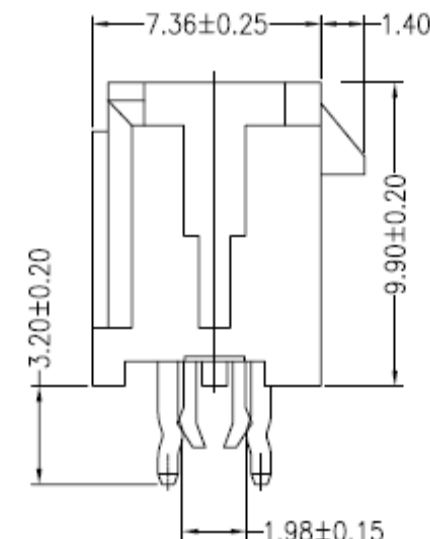
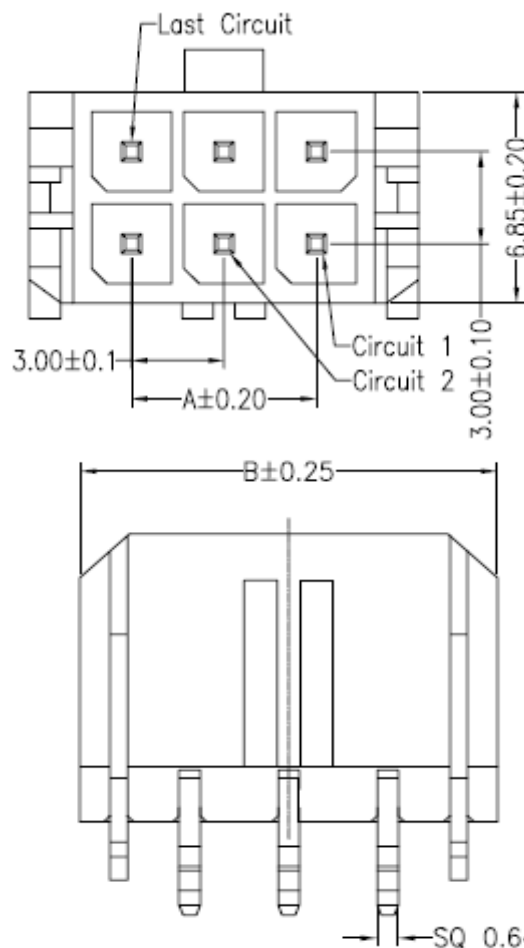
EDCON-COMPONENTS



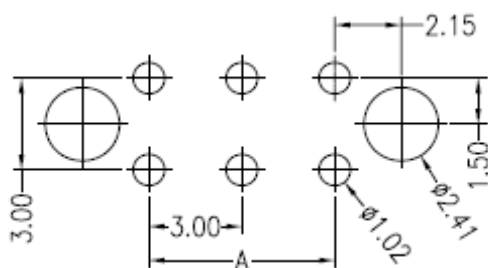
Specifications

Voltage Rating:	250VAC/DC
Current Rating	5,0A
Operating Temperature	-25°C ~ +85°C
Contact Resistance	10m Ohm max.
Withstanding Voltage	1500VAC/Minute
Insulation Resistance	1000M Ohm min.
Contact Material:	Brass
Contact Plating :	AU or Sn over Ni.
Insulator Material:	High Temperature Plastic UL94V-0

Drawing (dimensions all into mm)



Terminal Assembly Drawing



Wafer Serie T68Qxxx Pitch
3,00mm

Part No.: **T68Q024**

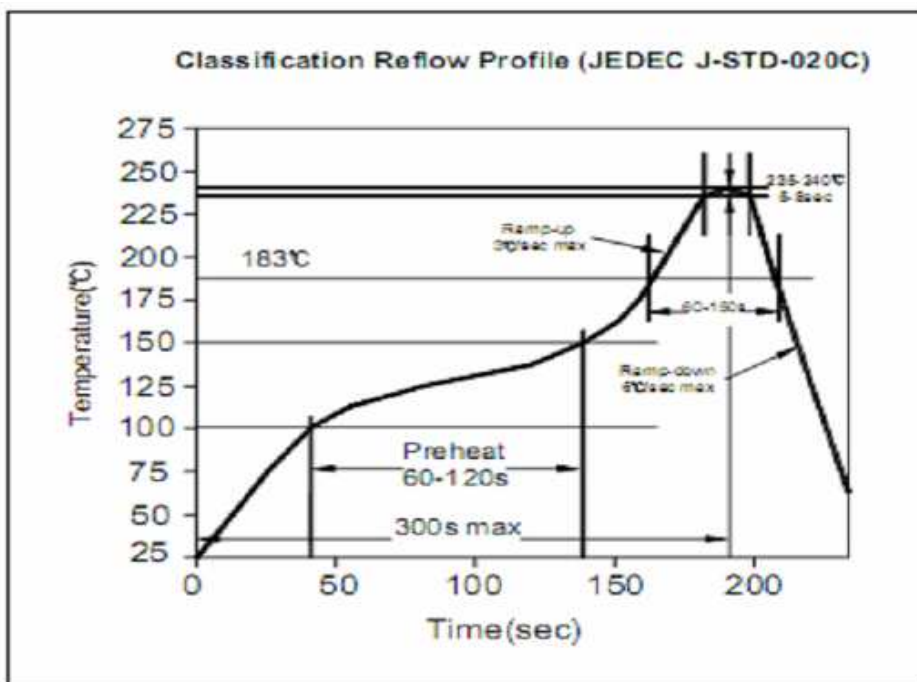
Customer:

DRW:	Jason	CHKD	Wilson	MATL:	Wilson	TOLERANCE	Mason	DATE	02.04.2009
APPD:	Schumi			FINISH	Jamy		Sheet No.	1 from 4	

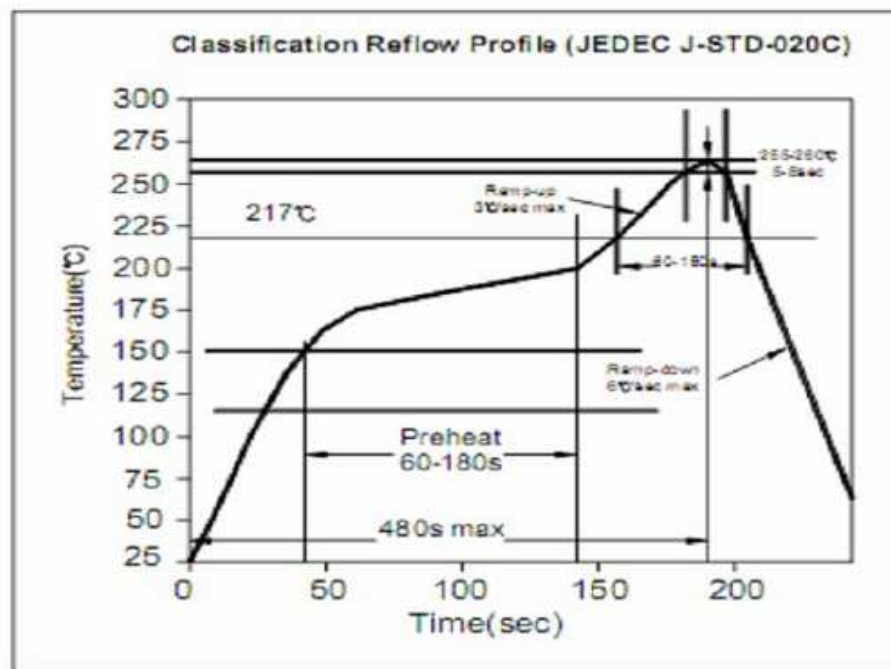


Soldering Profile

Lead Solder



Lead Free Solder



Wafer Serie T68Qxxx Pitch 3,00mm
Part No.: T68Q024
Customer:

DRW:	Jason	CHKD	Wilson	MATL:	Wilson	TOLERANCE	Mason	DATE	02.04.2009
APPD:	Schumi			FINISH	Jamy		Sheet No.	3 from 4	

EDCON-COMPONENTS



Ordering Informations

Serie	Number of	Contact	Packing						
T68Q024	02	T	BU						

xx = Pos.	T= Tin Plated (Standard)	BU= Bulk (Standard)							
		TY= Tray Packing							
	G= Gold Flash Plated	TU= Tube Packing							

Wafer Serie T68Qxxx Pitch 3,00mm
Part No.: T68Q024
Customer:

DRW:	Jason	CHKD	Wilson	MATL:	Wilson	TOLERANCE	Mason	DATE	02.04.2009
APPD:	Schumi			FINISH	Jamy		Sheet No.		4 from 4

www.edcon-components.com

email: info@edcon-components.com