

EDCON-COMPONENTS

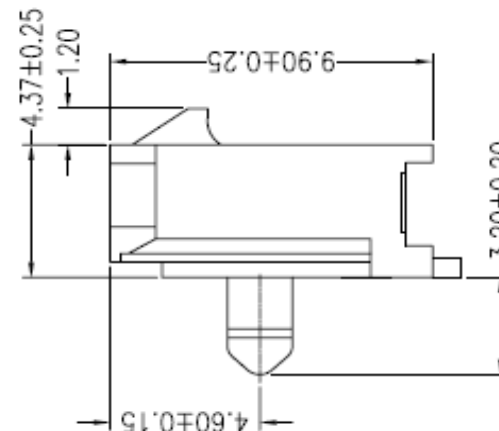
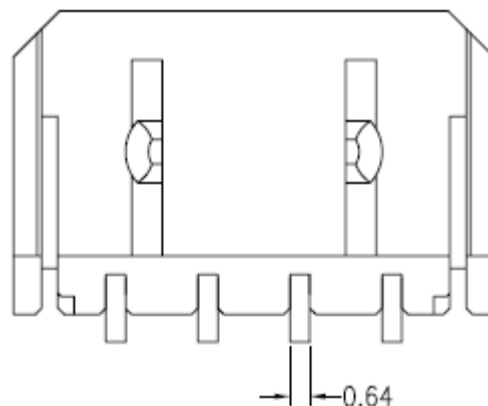


Specifications

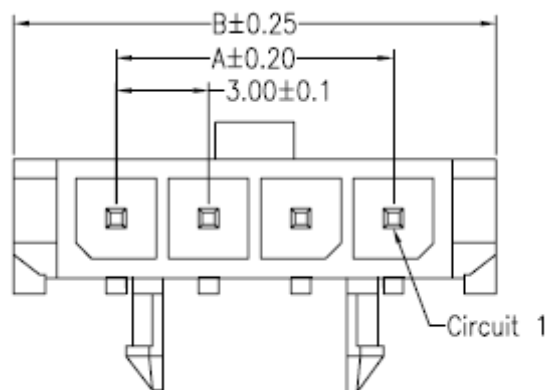
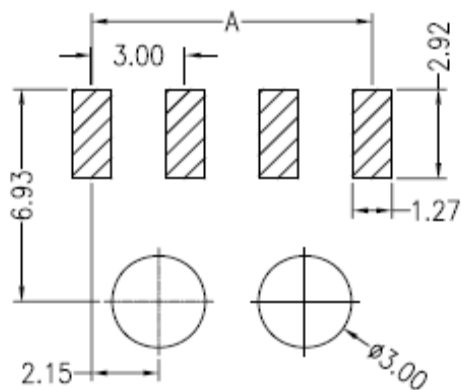
Voltage Rating: 250VAC/DC
 Current Rating 5,0A
 Operating Temperature . -25°C ~ +85°C
 Contact Resistance 10m Ohm max.
 Withstanding Voltage 1500VAC/Minute
 Insulation Resistance 1000M Ohm min.

Contact Material: Brass
 Contact Plating : AU or Sn over Ni.
 Insulator Material: High Temperature Plastic
 UL94V-0

Drawing (dimensions all into mm)



Terminal Assembly Drawing



Wafer Serie T68Qxxx Pitch
3,00mm

Part No.: **T68Q020**

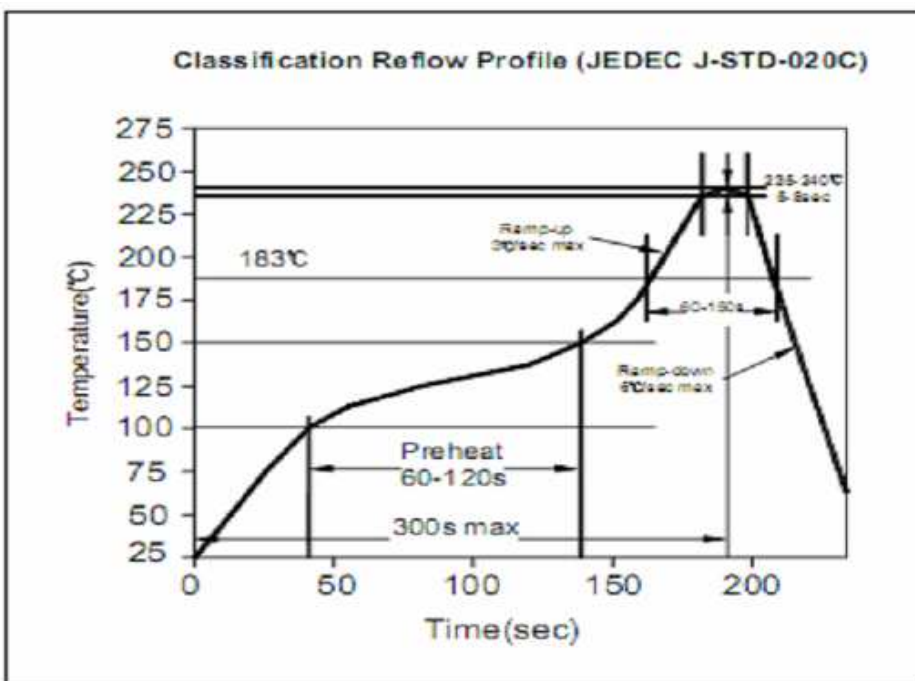
Customer:

DRW:	Jason	CHKD	Wilson	MATL:	Wilson	TOLERANCE	Mason	DATE	02.04.2009
APPD:	Schumi			FINISH	Jamy		Sheet No.	1 from 4	

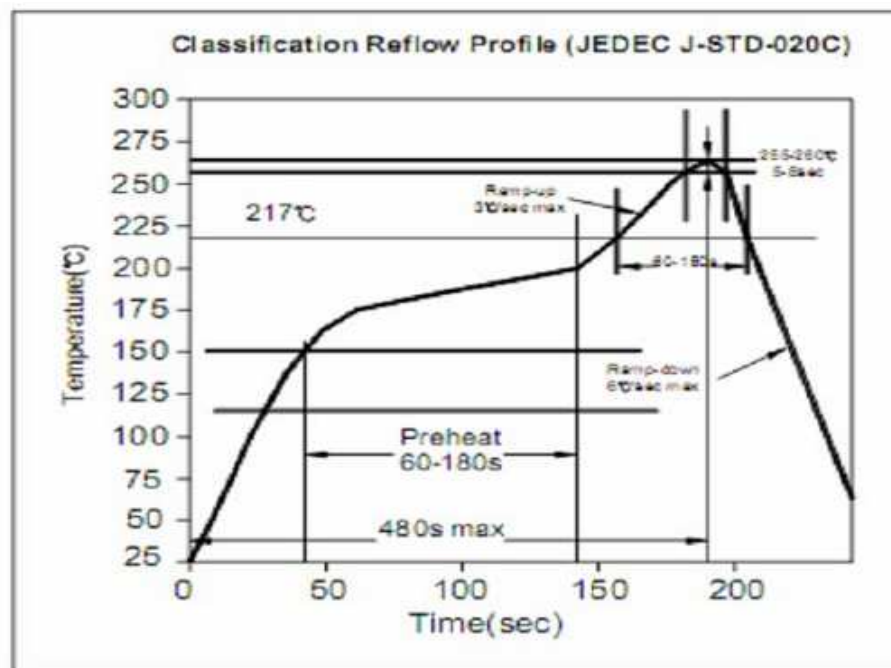


Soldering Profile

Lead Solder



Lead Free Solder



Wafer Serie T68Qxxx Pitch 3,00mm
Part No.: T68Q020
Customer:

DRW:	Jason	CHKD	Wilson	MATL:	Wilson	TOLERANCE	Mason	DATE	02.04.2009
APPD:	Schumi			FINISH	Jamy		Sheet No.	3 from 4	

EDCON-COMPONENTS



Ordering Informations

Serie	Number of	Contact	Packing						
T68Q020	02	T	BU						

xx = Pos.	T= Tin Plated (Standard)	BU= Bulk (Standard)							
		TY= Tray Packing							
	G= Gold Flash Plated	TU= Tube Packing							

Wafer Serie T68Qxxx Pitch 3,00mm	
Part No.:	T68Q020
Customer:	

DRW:	Jason	CHKD	Wilson	MATL:	Wilson	TOLERANCE	Mason	DATE	02.04.2009
APPD:	Schumi			FINISH	Jamy		Sheet No.	4 from 4	