

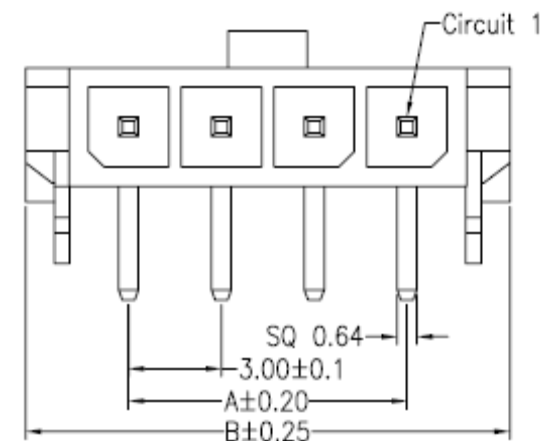
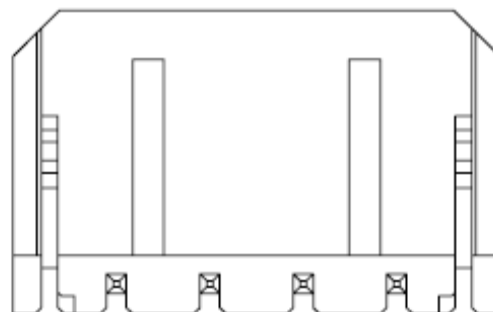
EDCON-COMPONENTS



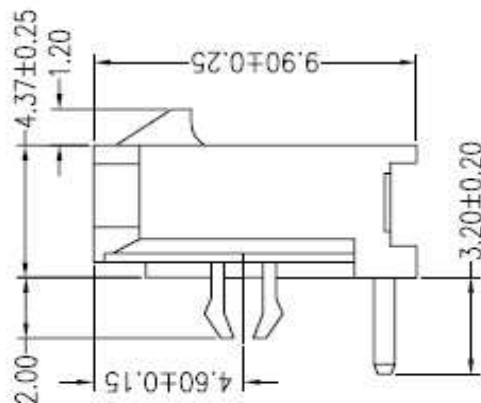
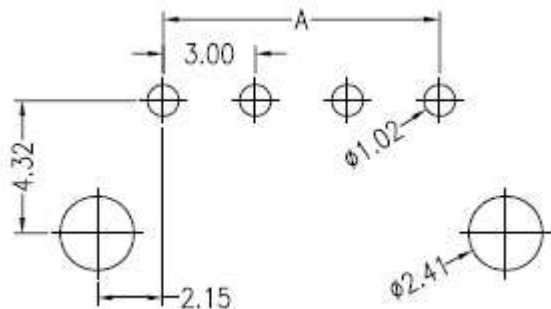
Specifications

Voltage Rating:	250VAC/DC
Current Rating	5,0A
Operating Temperature	-25°C ~ +85°C
Contact Resistance	10m Ohm max.
Withstanding Voltage	1500VAC/Minute
Insulation Resistance	1000M Ohm min.
Contact Material:	Brass
Contact Plating :	AU or Sn over Ni.
Insulator Material:	High Temperature Plastic UL94V-0

Drawing (dimensions all into mm)



Terminal Assembly Drawing



Wafer Serie T68Qxxx Pitch
3,00mm

Part No.: **T68Q017**

DRW:	Jason	CHKD	Wilson	MATL:	Wilson	TOLERANCE	Mason	DATE	02.04.2009
APPD:	Schumi			FINISH	Jamy		Sheet No.	1 from 4	Customer:

EDCON-COMPONENTS



Dimension Informations about Wafer

Pos.	Dimension (mm)					
	A	B	C	D	E	F
2	3,00	9,65				
3	6,00	12,65				
4	9,00	15,54				
5	12,00	18,65				
6	15,00	21,65				
7	18,00	24,65				
8	21,00	27,65				
9	24,00	30,65				
10	27,00	33,65				
11	30,00	36,65				
12	33,00	39,65				

Pos.	Dimension (mm)					
	A	B	C	D	E	F

Wafer Serie T68Qxxx Pitch 3,00mm	
Part No.:	T68Q017
Customer:	

DRW:	Jason	CHKD	Wilson	MATL:	Wilson	TOLERANCE	Mason	DATE	02.04.2009
APPD:	Schumi			FINISH	Jamy		Sheet No.		2 from 4

www.edcon-components.com

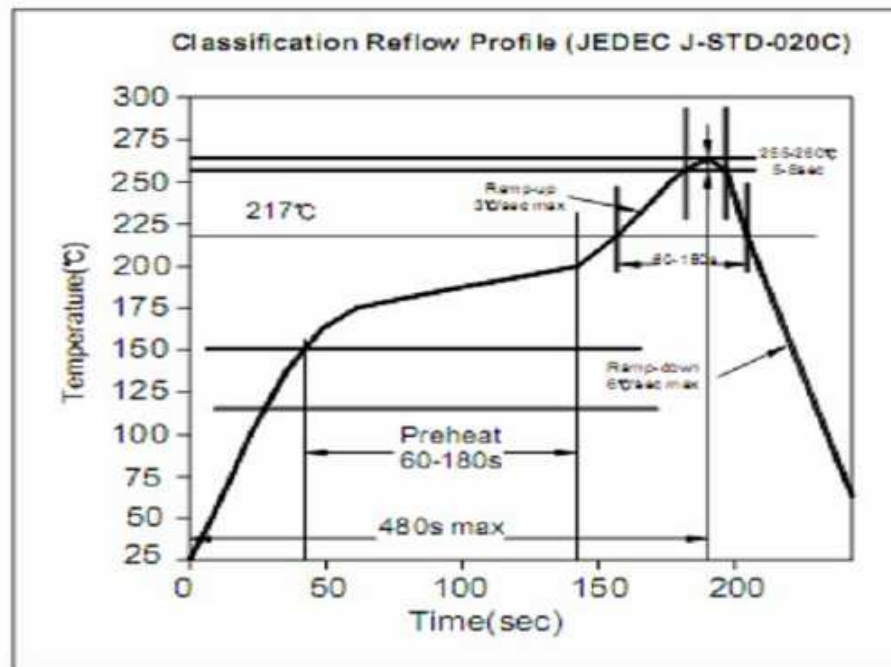
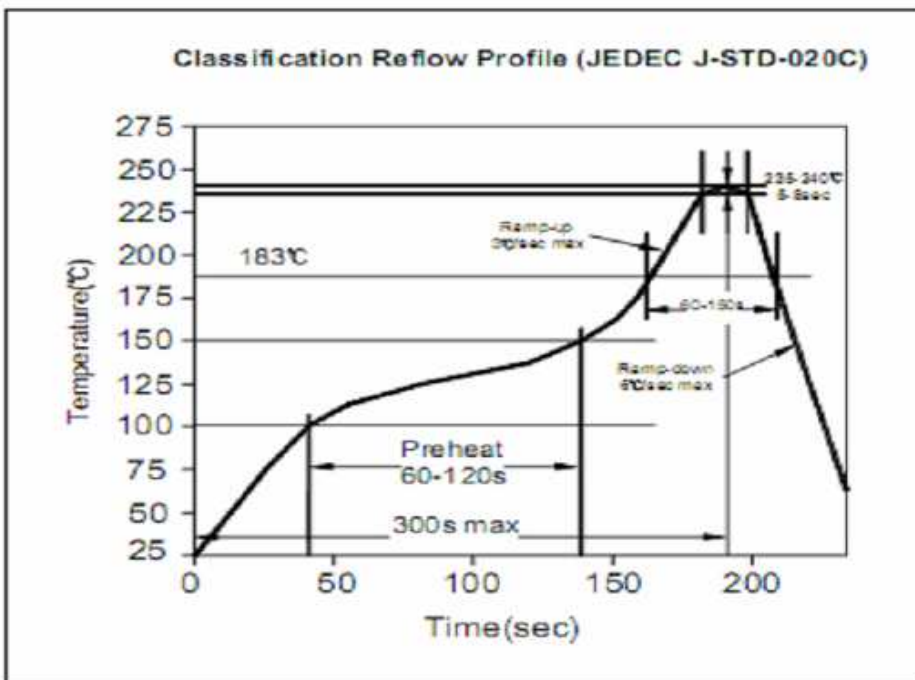
email: info@edcon-components.com



Soldering Profile

Lead Solder

Lead Free Solder



Wafer Serie T68Qxxx Pitch 3,00mm
Part No.: T68Q017
Customer:

DRW:	Jason	CHKD	Wilson	MATL:	Wilson	TOLERANCE	Mason	DATE	02.04.2009
APPD:	Schumi			FINISH	Jamy		Sheet No.	3 from 4	

EDCON-COMPONENTS



Ordering Informations

Serie	Number of	Contact	Packing						
T68Q017	02	T	BU						

xx = Pos.	T= Tin Plated (Standard)	BU= Bulk (Standard)							
		TY= Tray Packing							
	G= Gold Flash Plated	TU= Tube Packing							

Wafer Serie T68Qxxx Pitch 3,00mm
Part No.: T68Q017
Customer:

DRW:	Jason	CHKD	Wilson	MATL:	Wilson	TOLERANCE	Mason	DATE	02.04.2009
APPD:	Schumi			FINISH	Jamy		Sheet No.	4 from 4	

www.edcon-components.com

email: info@edcon-components.com