

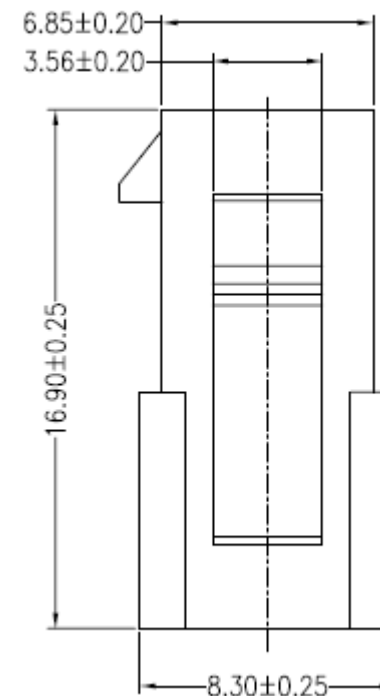
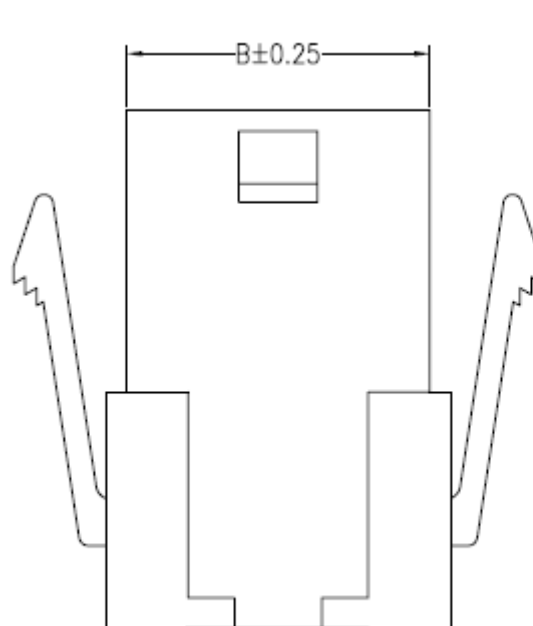
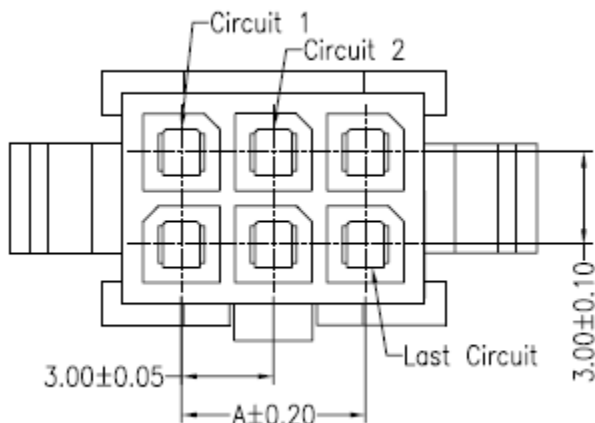
EDCON-COMPONENTS



Specifications

Voltage Rating: 250V AC/DC
 Current Rating: 5,0A
 Operating Temperature: -25°C ~ 85°C
 Contact Resistance: 10milli Ohm max.
 Withstanding Voltage: 1500VAC / minute
 Insulation Resistance: 1000M ohm min.
 Applicable Wire:
 Applicable P.C.B:
 Applicable FPC/FFC:
 Solder Height:
 Crimp Tensile Strength:
 Material Housing: PA66 UL94V-0

Drawing (dimensions all into mm)



Housing Serie T68Qxxx Pitch 3,00mm	
Part No.:	T68Q004
Customer:	

DRW:	Jason	CHKD	Wilson	MATL:	Wilson	TOLERANCE	Mason	DATE	02.04.2009
APPD:	Schumi			FINISH	Jamy		Sheet No.	1 from 3	

EDCON-COMPONENTS



Ordering Informations

Serie	No. of Pos.	Color of Housing	Packing							
-------	-------------	------------------	---------	--	--	--	--	--	--	--

T68Q004	02	BK	BU							
----------------	-----------	-----------	-----------	--	--	--	--	--	--	--

02~ 12	BK= Black	BU= Bulk Packing								
	BG= Beige									
	WH= White									

Housing Serie T68Qxxx Pitch 3,00mm
Part No.: T68Q004
Customer:

DRW:	Jason	CHKD	Wilson	MATL:	Wilson	TOLERANCE	Mason	DATE	02.04.2009
APPD:	Schumi			FINISH	Jamy		Sheet No.		3 from 3