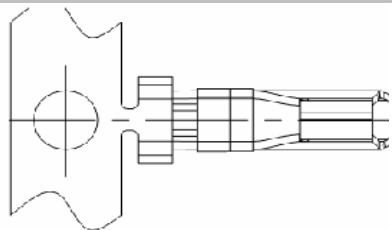


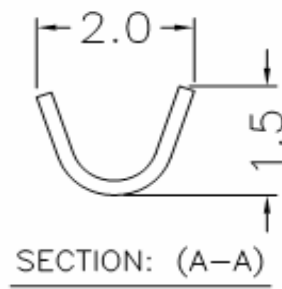
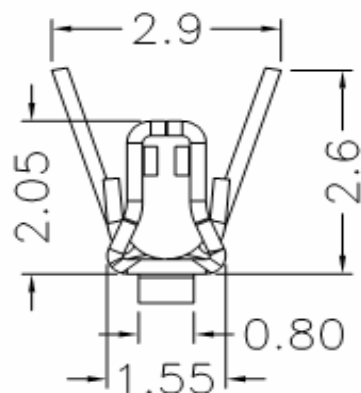
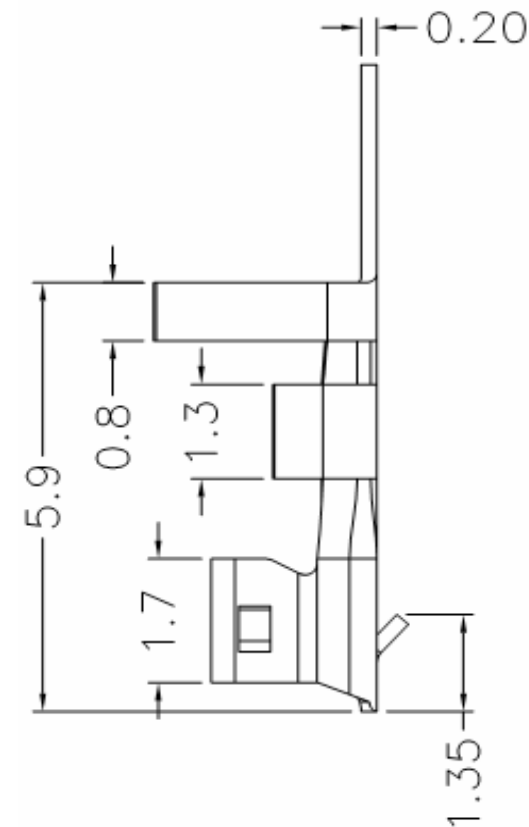
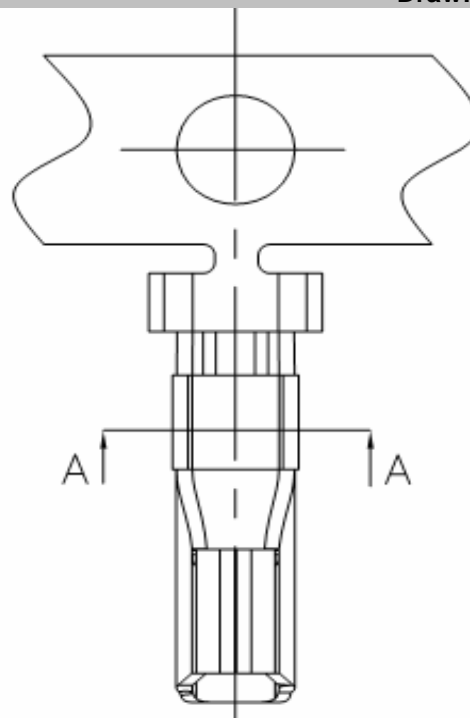
EDCON-COMPONENTS



Specifications

Voltage Rating:	250VAC /DC
Current Rating	3AC / DC
Operating Temperature	. -25°C ~ +85°C
Contact Resistance	20m Ω Max.
Withstanding Voltage	800V AC/minute
Insulation Resistance	1000M Ω Min.
 Material	 Brass or Phosphor Bronze

Drawing (dimensions all into mm)



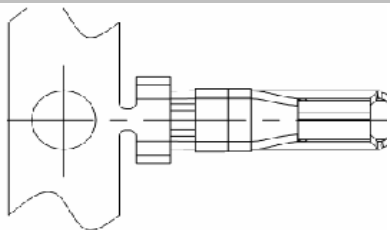
Terminal for Housing Wire to Board Serie Pitch 2,50mm

Part No.: **T68P017**

Customer:

DRW:	Jason	CHKD	Wilson	MATL:	Wilson	TOLERANCE	Mason	DATE	02.04.2009
APPD:	Schumi			FINISH	Jamy		Sheet No.	1 from 3	

EDCON-COMPONENTS



Ordering Informations

Serie	Positions	Term. Mat.	C-Plating	ROHS	Packing				
T68P017	02	BR	TN	R	BU				

Look Table	BR= Brass	TN= TIN Plated Standard	R= ROHS Conform	BU= Bulk (Standard)
	PB= Phosphor Bronze	GF= Gold Flash / Tin	N= NON ROHS Conform	
		GA= 3µ Gold		
		GB= 5µ Gold		
		GC= 10µ Gold		
		GD= 15µ Gold		
		GE= 30µ Gold		
		SA= 3µ Sel. Gold		
		GB= 5µ Sel. Gold		
		GC= 10µ Sel. Gold		
	GD= 15µ Sel. Gold	GE= 30µ Sel. Gold		

Terminal for Housing Wire to Board Serie Pitch 2,50mm
Part No.: **T68P017**

DRW:	Jason	CHKD	Wilson	MATL:	Wilson	TOLERANCE	Mason	DATE	02.04.2009	Customer:
APPD:	Schumi			FINISH	Jamy		Sheet No.	3 from 3		