

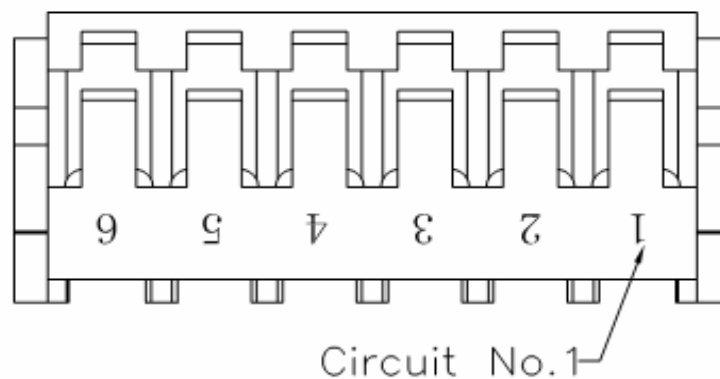
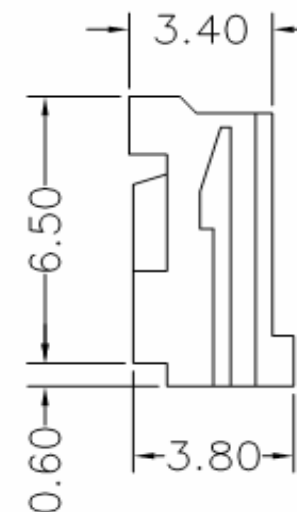
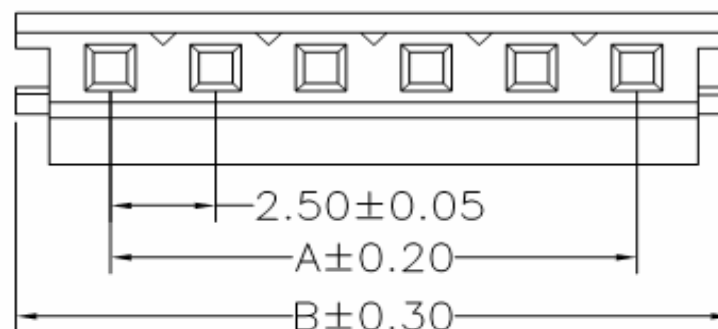
# EDCON-COMPONENTS



## Specifications

Voltage Rating:	250VAC /DC
Current Rating	3AC / DC
Operating Temperature	. -25°C ~ +85°C
Contact Resistance	20m Ω Max.
Withstanding Voltage	800V AC/minute
Insulation Resistance	1000M Ω Min.
Material Insulator:	PA66 ( UL94V-0)

## Drawing ( dimensions all into mm)



<b>Housing for Wire to Board Serie Pitch 2,50mm</b>	
Part No.:	<b>T68P016</b>
Customer:	

DRW:	Jason	CHKD	Wilson	MATL:	Wilson	TOLERANCE	Mason	DATE	02.04.2009
APPD:	Schumi			FINISH	Jamy		Sheet No.	1 from 3	



# EDCON-COMPONENTS



## Ordering Informations

Serie	Positions	Body Color	ROHS	Packing						
<b>T68P016</b>	<b>02</b>	<b>BG</b>	<b>R</b>	<b>BU</b>						

Look Table	<b>BG=</b> Beige	<b>R=</b> ROHS Conform	<b>BU=</b> Bulk (Standard)
	<b>WH=</b> White	<b>N=</b> NON ROHS Conform	

**Housing for Wire to Board Serie  
Pitch 2,50mm**

Part No.: **T68P016**

DRW:	Jason	CHKD	Wilson	MATL:	Wilson	TOLERANCE	Mason	DATE	02.04.2009
APPD:	Schumi			FINISH	Jamy		Sheet No.	3 from 3	Customer: