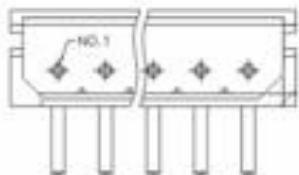


EDCON-COMPONENTS

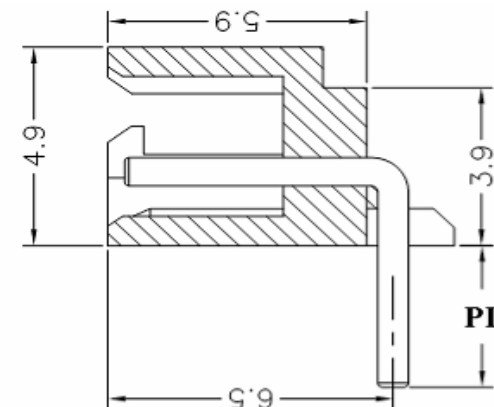
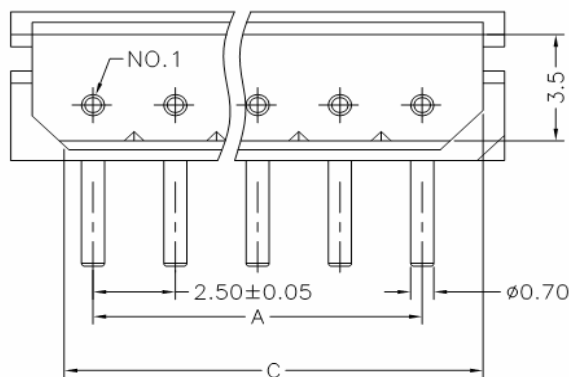


Specifications

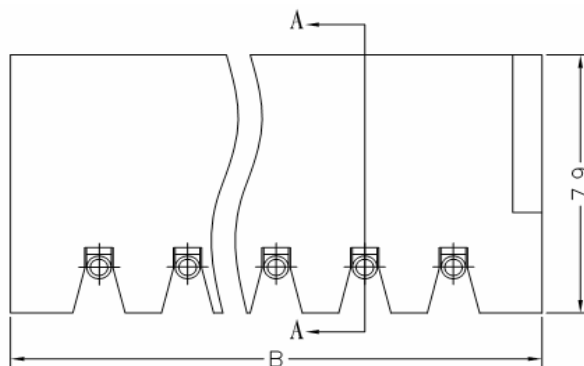
Voltage Rating: 250VAC /DC
 Current Rating 3AC / DC
 Operating Temperature . -25°C ~ +85°C
 Contact Resistance 20m Ω Max.
 Withstanding Voltage 1000V AC/minute
 Insulation Resistance 1000M Ω Min.

Material Insulator: High Temperature Plastic UL94V-0
 Material Pin Brass
 Pin Plating: AU or SN over NI

Drawing (dimensions all into mm)



PCB Layout



**Wire to Board Serie Pitch
2,50mm**

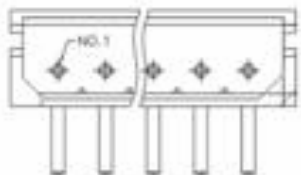
Part No.: **T68P008**

| | | | | | | | | | |
|-------|--------|------|--------|--------|--------|-----------|-----------|----------|------------|
| DRW: | Jason | CHKD | Wilson | MATL: | Wilson | TOLERANCE | Mason | DATE | 02.04.2009 |
| APPD: | Schumi | | | FINISH | Jamy | | Sheet No. | 1 from 4 | Customer: |

www.edcon-components.com

email: info@edcon-components.com

EDCON-COMPONENTS



Dimension Informations about Wafer

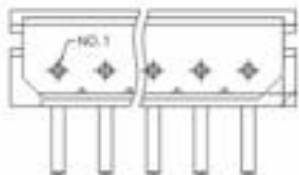
| Pos. | Dimension (mm) | | | | | |
|------|----------------|-------|-------|---|---|---|
| | A | B | C | D | E | F |
| 02 | 2,50 | 7,40 | 6,00 | | | |
| 03 | 5,00 | 9,90 | 8,50 | | | |
| 04 | 7,50 | 12,40 | 11,00 | | | |
| 05 | 10,00 | 14,90 | 13,50 | | | |
| 06 | 12,50 | 17,40 | 16,00 | | | |
| 07 | 15,00 | 19,90 | 18,50 | | | |
| 08 | 17,50 | 22,40 | 21,00 | | | |
| 09 | 20,00 | 24,90 | 23,50 | | | |
| 10 | 22,50 | 27,40 | 26,00 | | | |
| 11 | 25,00 | 29,90 | 28,50 | | | |
| 12 | 27,50 | 32,40 | 31,00 | | | |
| 13 | 30,00 | 34,90 | 33,50 | | | |
| 14 | 32,50 | 37,40 | 36,00 | | | |
| 15 | 35,00 | 39,90 | 38,50 | | | |
| 16 | 37,50 | 42,40 | 41,00 | | | |
| 17 | 40,00 | 44,90 | 43,50 | | | |
| 18 | 42,50 | 47,40 | 46,00 | | | |
| 19 | 45,00 | 49,90 | 48,50 | | | |
| 20 | 47,50 | 52,40 | 51,00 | | | |
| | | | | | | |
| | | | | | | |
| | | | | | | |
| | | | | | | |
| | | | | | | |

| Pos. | Dimension (mm) | | | | | |
|------|----------------|---|---|---|---|---|
| | A | B | C | D | E | F |
| | | | | | | |
| | | | | | | |
| | | | | | | |
| | | | | | | |
| | | | | | | |
| | | | | | | |
| | | | | | | |
| | | | | | | |
| | | | | | | |
| | | | | | | |
| | | | | | | |
| | | | | | | |
| | | | | | | |
| | | | | | | |
| | | | | | | |
| | | | | | | |
| | | | | | | |
| | | | | | | |
| | | | | | | |
| | | | | | | |
| | | | | | | |

| | |
|---|----------------|
| Wire to Board Serie Pitch 2,50mm | |
| Part No.: | T68P008 |
| Customer: | |

| | | | | | | | | | |
|-------|--------|------|--------|--------|--------|-----------|-----------|----------|------------|
| DRW: | Jason | CHKD | Wilson | MATL: | Wilson | TOLERANCE | Mason | DATE | 02.04.2009 |
| APPD: | Schumi | | | FINISH | Jamy | | Sheet No. | 2 from 4 | |

EDCON-COMPONENTS



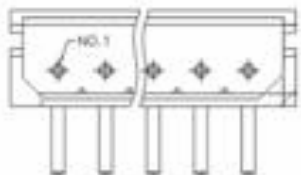
Ordering Informations

| Serie | Positions | Body Color | C- Plating | PL Length | ROHS | Packing | | | | |
|----------------|-----------|------------|------------|-----------|----------|-----------|--|--|--|--|
| T68P008 | 02 | BG | TN | 35 | R | BU | | | | |

| | | | | | |
|------------|------------------|-----------------------|---------------------------------|----------------------------|--------------------------------------|
| Look Table | BG= Beige | TN= Tin Plated | 35= 3,5mm f. THT Technic | R= ROHS Conform | BU= Bulk (Standard) |
| | WH= White | GF= Gold Flash | 17= 1,7mm f. THR Technic | N= NON ROHS Conform | TR= Tape/ Reel f. THR |
| | | | 14= 1,4mm f. THR Technic | | RC= Tape/ Reel w. Cap. f. THR |
| | | | | | TU= Tube Packing |
| | | | | | TC= Tube w. Cap f. THR |

| | |
|---|----------------|
| Wire to Board Serie Pitch 2,50mm | |
| Part No.: | T68P008 |
| Customer: | |

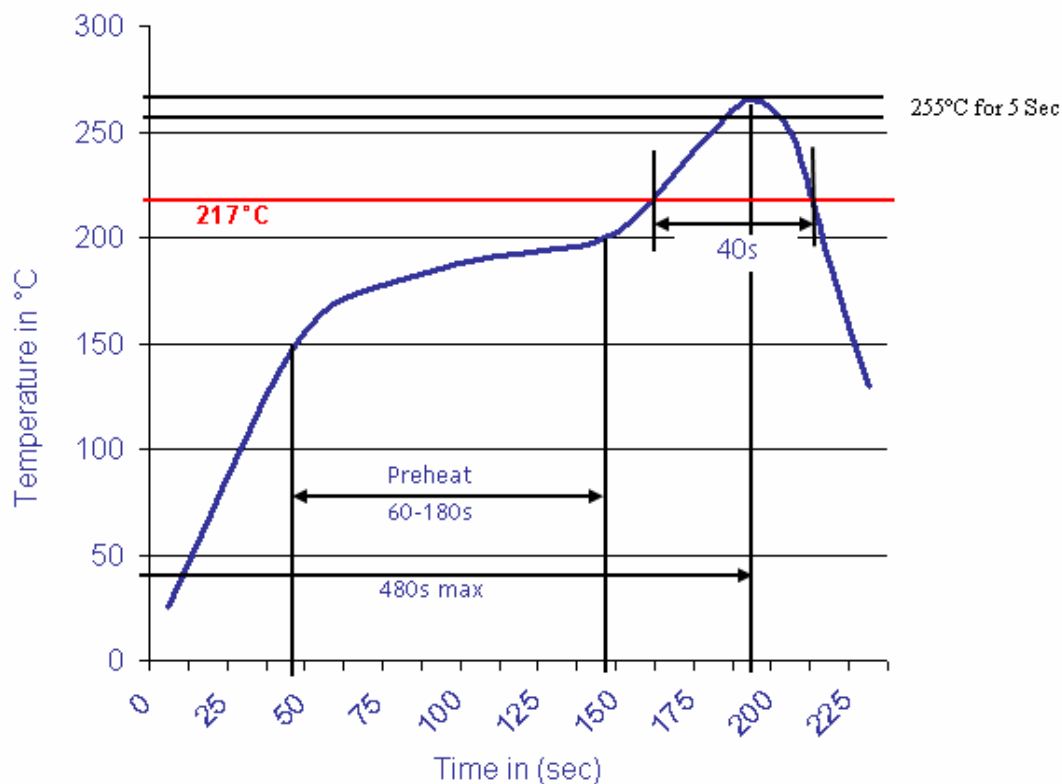
| | | | | | | | | | |
|-------|--------|------|--------|--------|--------|-----------|-----------|------|------------|
| DRW: | Jason | CHKD | Wilson | MATL: | Wilson | TOLERANCE | Mason | DATE | 02.04.2009 |
| APPD: | Schumi | | | FINISH | Jamy | | Sheet No. | | 3 from 4 |



Soldering Profile

Lead Free Curve

Classification Reflow Profile (JEDEC J-STD-020C)



| | |
|---|----------------|
| Wire to Board Serie Pitch 2,50mm | |
| Part No.: | T68P008 |
| Customer: | |

| | | | | | | | | | |
|-------|--------|------|--------|--------|--------|-----------|-----------|----------|------------|
| DRW: | Jason | CHKD | Wilson | MATL: | Wilson | TOLERANCE | Mason | DATE | 02.04.2009 |
| APPD: | Schumi | | | FINISH | Jamy | | Sheet No. | 4 from 4 | |