

EDCON-COMPONENTS

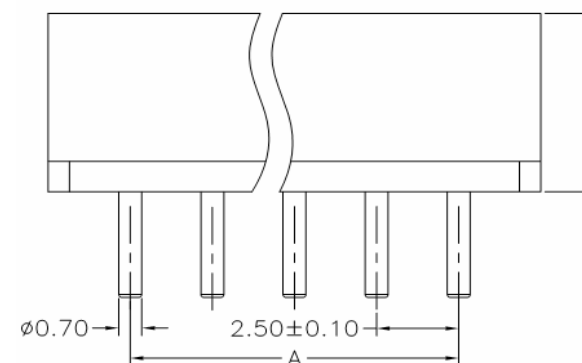
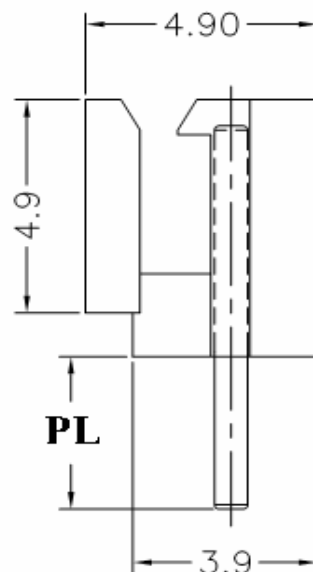
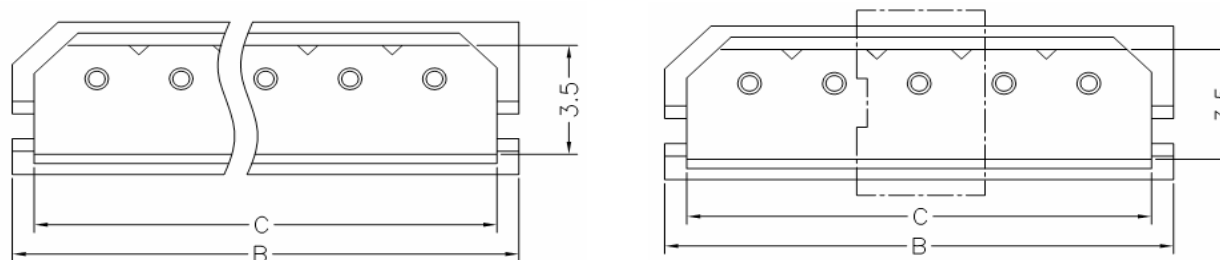


Specifications

Voltage Rating: 250VAC /DC
 Current Rating: 3AC / DC
 Operating Temperature: -25°C ~ +85°C
 Contact Resistance: 20m Ω Max.
 Withstanding Voltage: 1000V AC/minute
 Insulation Resistance: 1000M Ω Min.

Material Insulator: High Temperature Plastic UL94V-0
 Material Pin: Brass
 Pin Plating: AU or SN over NI

Drawing (dimensions all into mm)



PCB Layout



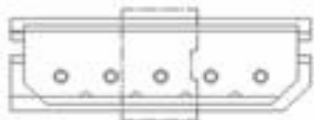
**Wire to Board Serie Pitch
2,50mm**

Part No.: **T68P006**

Customer:

DRW:	Jason	CHKD	Wilson	MATL:	Wilson	TOLERANCE	Mason	DATE	02.04.2009
APPD:	Schumi			FINISH	Jamy		Sheet No.	1 from 4	

EDCON-COMPONENTS



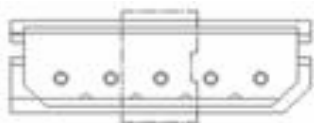
Ordering Informations

Serie	Positions	Body Color	C- Plating	PL Length	ROHS	Packing				
T68P006	02	BG	TN	35	R	BU				

Look Table	BG= Beige	TN= Tin Plated	35= 3,5mm f. THT Technic	R= ROHS Conform	BU= Bulk (Standard)
	WH= White	GF= Gold Flash	17= 1,7mm f. THR Technic	N= NON ROHS Conform	TR= Tape/ Reel f. THR
			14= 1,4mm f. THR Technic		RC= Tape/ Reel w. Cap. f. THR
					TU= Tube Packing
					TC= Tube w. Cap f. THR

Wire to Board Serie Pitch 2,50mm	
Part No.:	T68P006
Customer:	

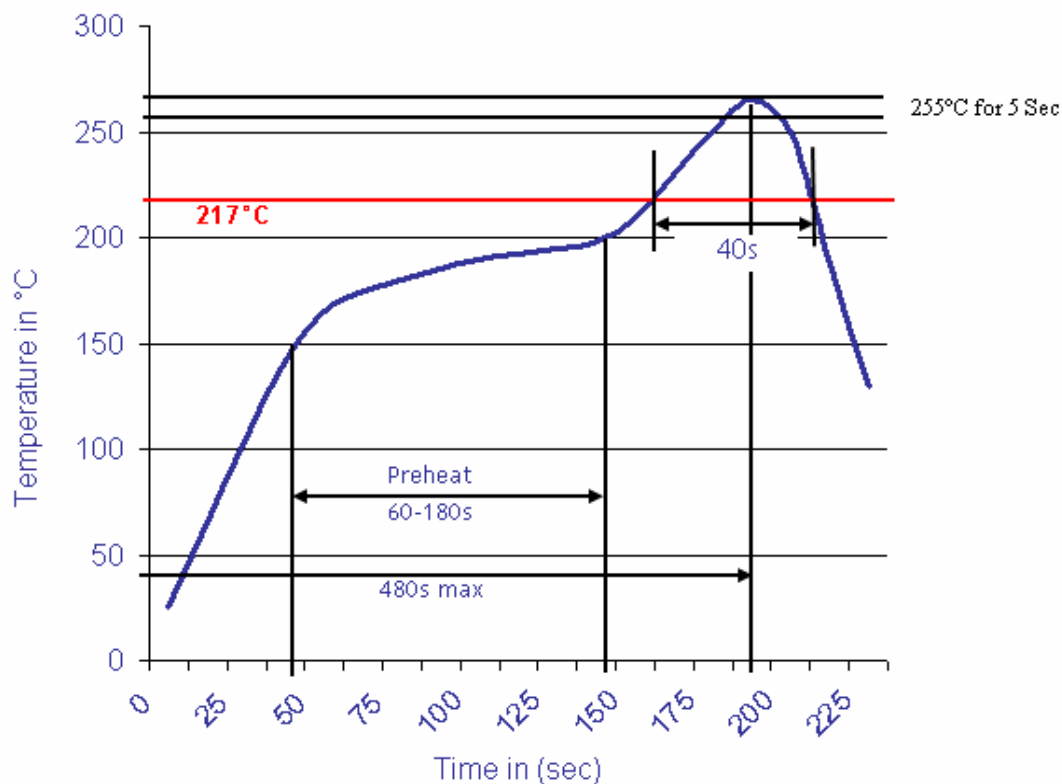
DRW:	Jason	CHKD	Wilson	MATL:	Wilson	TOLERANCE	Mason	DATE	02.04.2009
APPD:	Schumi			FINISH	Jamy		Sheet No.		3 from 4



Soldering Profile

Lead Free Curve

Classification Reflow Profile (JEDEC J-STD-020C)



Wire to Board Serie Pitch 2,50mm	
Part No.:	T68P006
Customer:	

DRW:	Jason	CHKD	Wilson	MATL:	Wilson	TOLERANCE	Mason	DATE	02.04.2009
APPD:	Schumi			FINISH	Jamy		Sheet No.	4 from 4	