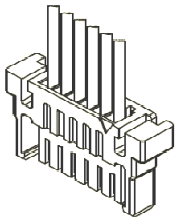
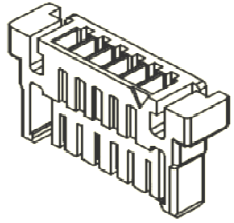


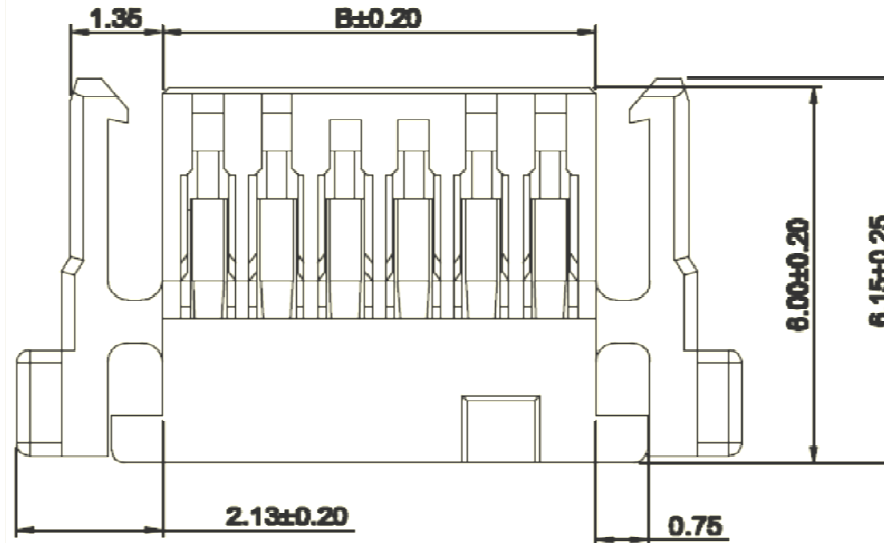
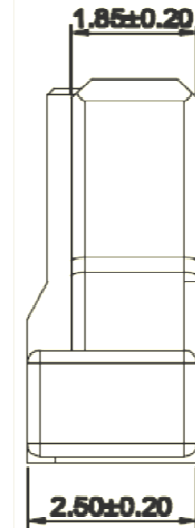
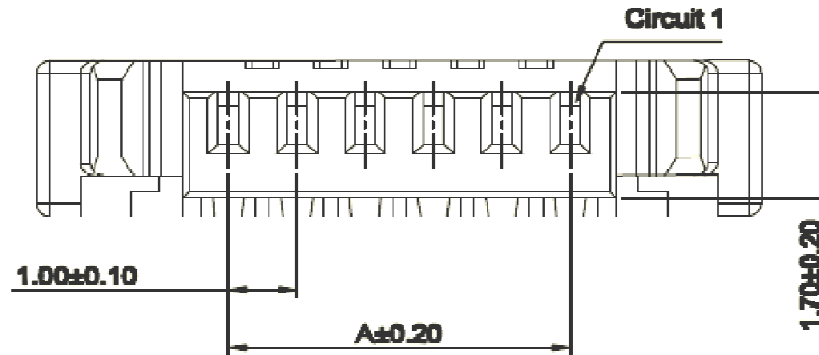
EDCON-COMPONENTS



Specifications

Voltage Rating:	50VAC /DC
Current Rating	1AC / DC
Operating Temperature	. -40°C ~ +105°C
Contact Resistance	20m Ω Max.
Withstanding Voltage	500V AC/minute
Insulation Resistance	100M Ω Min.
Material Insulator:	PBT UL94V-0

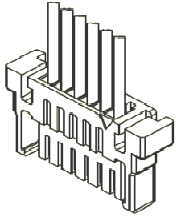
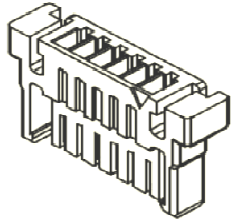
Drawing (dimensions all into mm)



Wire to Board Serie Pitch 1,00mm	
Part No.:	T68L041-
Customer:	

DRW:	Jason	CHKD	Wilson	MATL:	Wilson	TOLERANCE	Mason	DATE	15.03.2022
APPD:	Schumi			FINISH	Jamy			Sheet No.	1 from 3

EDCON-COMPONENTS



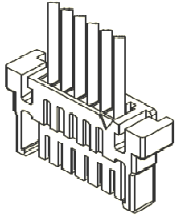
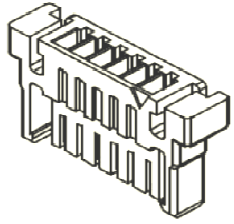
Dimension Informations about Housing

Table 1	Dimension (mm)					
Pos.	A	B	C	D	E	F
02	1,00	2,30				
03	2,00	3,30				
04	3,00	4,30				
05	4,00	5,30				
06	5,00	6,30				
07	6,00	7,30				
08	7,00	8,30				
09	8,00	9,30				
10	9,00	10,30				
11	10,00	11,30				
12	11,00	12,30				
13	12,00	13,30				
14	13,00	14,30				
15	14,00	15,30				
16	15,00	16,30				
17	16,00	17,30				
18	17,00	18,30				
19	18,00	19,30				
20	19,00	20,30				

Wire to Board Serie Pitch 1,00mm	
Part No.:	T68L041-
Customer:	

DRW:	Jason	CHKD	Wilson	MATL:	Wilson	TOLERANCE	Mason	DATE	15.03.2022
APPD:	Schumi			FINISH	Jamy		Sheet No.		2 from 3

EDCON-COMPONENTS



Ordering Informations

Serie	Positions	Body Color	ROHS	Packing						
T68L041-	02	WH	R	BU						

Look Table 1		R= ROHS Conform	BU= Bulk (Standard)
	WH= White	N= NON ROHS Conform	

Wire to Board Serie Pitch 1,00mm
Part No.: T68L041-
Customer:

DRW:	Jason	CHKD	Wilson	MATL:	Wilson	TOLERANCE	Mason	DATE	15.03.2022
APPD:	Schumi			FINISH	Jamy		Sheet No.	3 from 3	