

EDCON-COMPONENTS

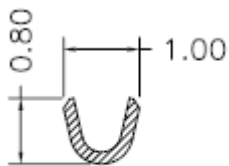
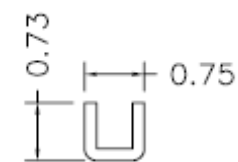


Specifications

Voltage Rating:	50VAC /DC
Current Rating	0,5AC / DC
Operating Temperature	. -25°C ~ +85°C
Contact Resistance	20m Ω Max.
Withstanding Voltage	500V AC/minute
Insulation Resistance	100M Ω Min.

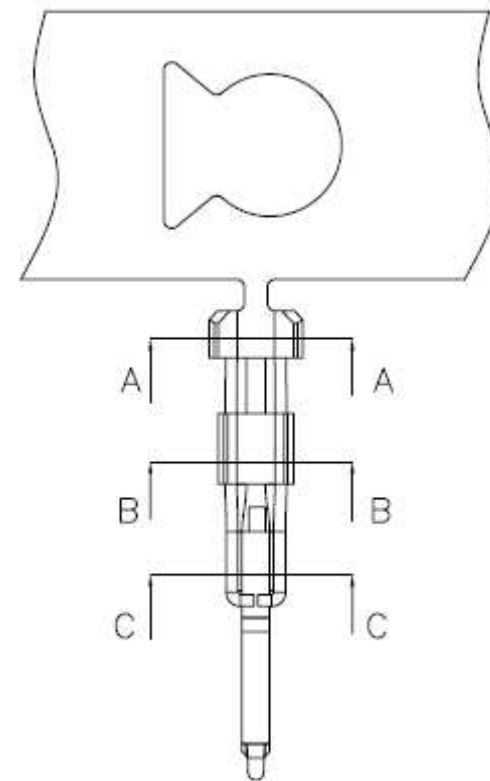
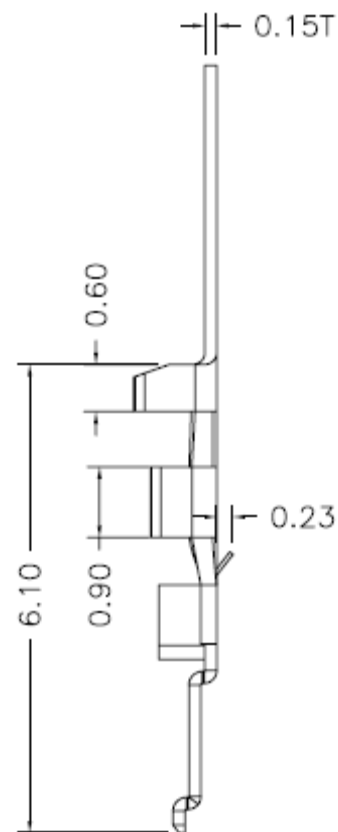
Material Phosphor Bronze

Drawing (dimensions all into mm)



SECTION: (B-B)

SECTION: (A-A)



Terminal for Housing Wire to Board Serie Pitch 1,00mm

Part No.: **T68L011**

DRW:	Jason	CHKD	Wilson	MATL:	Wilson	TOLERANCE	Mason	DATE	02.05.2009
APPD:	Schumi			FINISH	Jamy		Sheet No.	1 from 3	Customer:

www.edcon-components.com

email: info@edcon-components.com

EDCON-COMPONENTS



Ordering Informations

Serie	Terminal	Term. Mat.	C-Plating	ROHS	Packing				
T68L011	F	PB	TN	R	BU				

F= Female	PB= Phosphor Bronze	TN= TIN Plated Standard	R= ROHS Conform N= NON ROHS Conform	BU= Bulk (Standard)
		GF= Gold Flash / Tin		
		GA= 3μ Gold		
		GB= 5μ Gold		
		GC= 10μ Gold		
		GD= 15μ Gold		
		GE= 30μ Gold		
		SA= 3μ Sel. Gold		
		GB= 5μ Sel. Gold		
		GC= 10μ Sel. Gold		
		GD= 15μ Sel. Gold	GE= 30μ Sel. Gold	

**Terminal for Housing Wire to
Board Serie Pitch 1,00mm**
Part No.: **T68L011**

DRW:	Jason	CHKD	Wilson	MATL:	Wilson	TOLERANCE	Mason	DATE	02.05.2009	Customer:
APPD:	Schumi			FINISH	Jamy		Sheet No.	3 from 3		