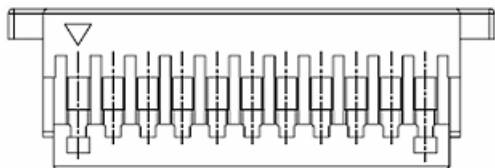


# EDCON-COMPONENTS

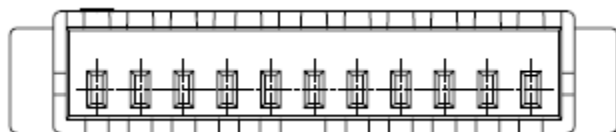
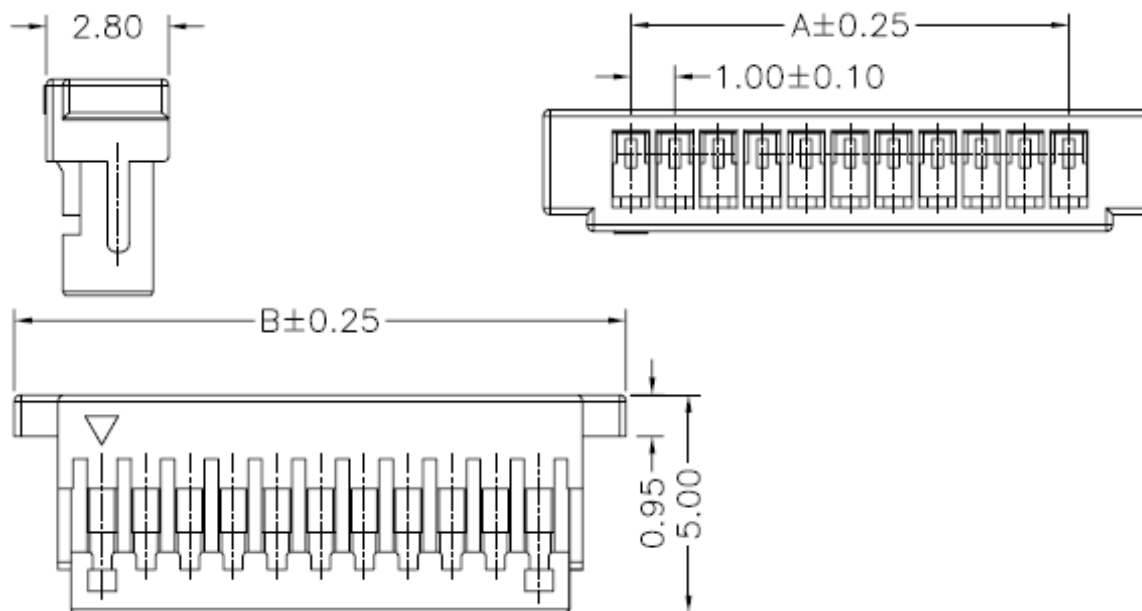


## Specifications

Voltage Rating: 50VAC /DC  
 Current Rating 1AC / DC  
 Operating Temperature . -25°C ~ +85°C  
 Contact Resistance 20m Ω Max.  
 Withstanding Voltage 500V AC/minute  
 Insulation Resistance 100M Ω Min.

Material Insulator: PBT UL94V-0

## Drawing ( dimensions all into mm)



**Wire to Board Serie Pitch  
1,00mm**

Part No.: **T68L004**

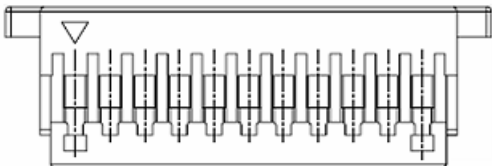
Customer:

|       |        |      |        |        |        |           |           |          |            |
|-------|--------|------|--------|--------|--------|-----------|-----------|----------|------------|
| DRW:  | Jason  | CHKD | Wilson | MATL:  | Wilson | TOLERANCE | Mason     | DATE     | 02.04.2009 |
| APPD: | Schumi |      |        | FINISH | Jamy   |           | Sheet No. | 1 from 3 |            |

[www.edcon-components.com](http://www.edcon-components.com)

email: [info@edcon-components.com](mailto:info@edcon-components.com)

# EDCON-COMPONENTS



## Dimension Informations about Housing

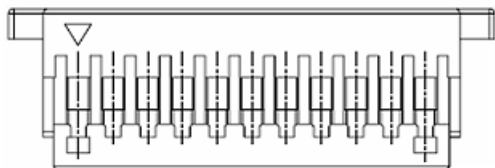
| Table 1 | Dimension (mm) |       |   |   |   |   |
|---------|----------------|-------|---|---|---|---|
| Pos.    | A              | B     | C | D | E | F |
| 02      | 1,00           | 5,00  |   |   |   |   |
| 03      | 2,00           | 6,00  |   |   |   |   |
| 04      | 3,00           | 7,00  |   |   |   |   |
| 05      | 4,00           | 8,00  |   |   |   |   |
| 06      | 5,00           | 9,00  |   |   |   |   |
| 07      | 6,00           | 10,00 |   |   |   |   |
| 08      | 7,00           | 11,00 |   |   |   |   |
| 09      | 8,00           | 12,00 |   |   |   |   |
| 10      | 9,00           | 13,00 |   |   |   |   |
| 11      | 10,00          | 14,00 |   |   |   |   |
| 12      | 11,00          | 15,00 |   |   |   |   |
| 13      | 12,00          | 16,00 |   |   |   |   |
| 14      | 13,00          | 17,00 |   |   |   |   |
| 15      | 14,00          | 18,00 |   |   |   |   |
| 16      | 15,00          | 19,00 |   |   |   |   |
| 17      | 16,00          | 20,00 |   |   |   |   |
| 18      | 17,00          | 21,00 |   |   |   |   |
| 19      | 18,00          | 22,00 |   |   |   |   |
| 20      | 19,00          | 23,00 |   |   |   |   |
|         |                |       |   |   |   |   |
|         |                |       |   |   |   |   |
|         |                |       |   |   |   |   |
|         |                |       |   |   |   |   |
|         |                |       |   |   |   |   |

| Table 1 | Dimension (mm) |   |   |   |   |   |
|---------|----------------|---|---|---|---|---|
| Pos.    | A              | B | C | D | E | F |
|         |                |   |   |   |   |   |
|         |                |   |   |   |   |   |
|         |                |   |   |   |   |   |
|         |                |   |   |   |   |   |
|         |                |   |   |   |   |   |
|         |                |   |   |   |   |   |
|         |                |   |   |   |   |   |
|         |                |   |   |   |   |   |
|         |                |   |   |   |   |   |
|         |                |   |   |   |   |   |
|         |                |   |   |   |   |   |
|         |                |   |   |   |   |   |
|         |                |   |   |   |   |   |
|         |                |   |   |   |   |   |
|         |                |   |   |   |   |   |
|         |                |   |   |   |   |   |
|         |                |   |   |   |   |   |
|         |                |   |   |   |   |   |
|         |                |   |   |   |   |   |
|         |                |   |   |   |   |   |
|         |                |   |   |   |   |   |
|         |                |   |   |   |   |   |
|         |                |   |   |   |   |   |
|         |                |   |   |   |   |   |
|         |                |   |   |   |   |   |

|   |                |
|---|----------------|
| <b>Wire to Board Serie Pitch<br/>1,00mm</b> |                |
| Part No.:                                   | <b>T68L004</b> |
| Customer:                                   |                |

|       |        |      |        |        |        |           |           |          |            |
|-------|--------|------|--------|--------|--------|-----------|-----------|----------|------------|
| DRW:  | Jason  | CHKD | Wilson | MATL:  | Wilson | TOLERANCE | Mason     | DATE     | 02.04.2009 |
| APPD: | Schumi |      |        | FINISH | Jamy   |           | Sheet No. | 2 from 3 |            |

# EDCON-COMPONENTS



## Ordering Informations

| Serie          | Positions | Body Color | ROHS     | Packing   |  |  |  |  |  |  |
|----------------|-----------|------------|----------|-----------|--|--|--|--|--|--|
| <b>T68L004</b> | <b>02</b> | <b>WH</b>  | <b>R</b> | <b>BU</b> |  |  |  |  |  |  |

|              |                  |                            |                            |
|--------------|------------------|----------------------------|----------------------------|
| Look Table 1 | <b>BK=</b> Black | <b>R=</b> ROHS Conform     | <b>BU=</b> Bulk (Standard) |
|              | <b>WH=</b> White | <b>N=</b> NON ROHS Conform |                            |
|              | <b>BL=</b> Blue  |                            |                            |
|              | <b>BG=</b> Beige |                            |                            |

|   |                |
|---|----------------|
| <b>Wire to Board Serie Pitch<br/>1,00mm</b> |                |
| Part No.:                                   | <b>T68L004</b> |
| Customer:                                   |                |

|       |        |      |        |        |        |           |           |          |            |
|-------|--------|------|--------|--------|--------|-----------|-----------|----------|------------|
| DRW:  | Jason  | CHKD | Wilson | MATL:  | Wilson | TOLERANCE | Mason     | DATE     | 02.04.2009 |
| APPD: | Schumi |      |        | FINISH | Jamy   |           | Sheet No. | 3 from 3 |            |