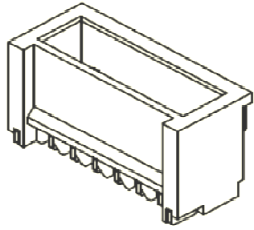


EDCON-COMPONENTS

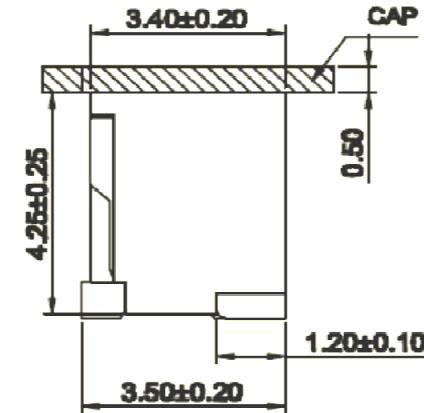
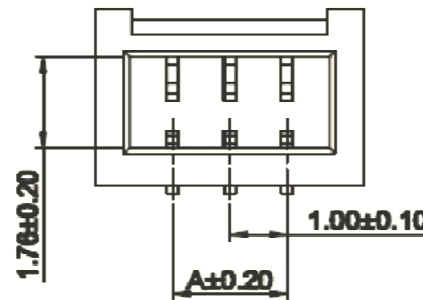


Specifications

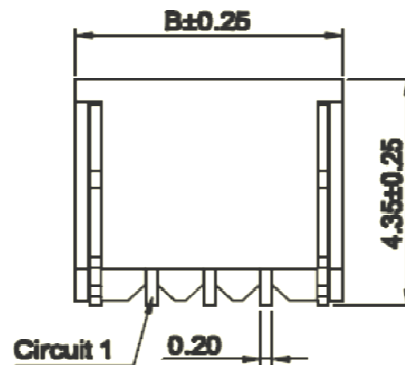
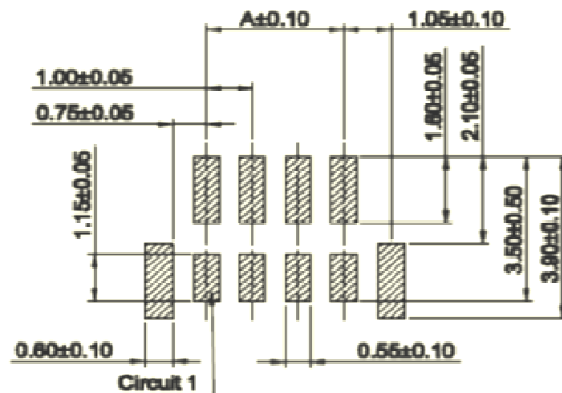
Voltage Rating: 50VAC / DC
 Current Rating: 1AC / DC
 Operating Temperature: -40°C ~ +105°C
 Contact Resistance: 20m Ω Max.
 Withstanding Voltage: 500V AC/minute
 Insulation Resistance: 100M Ω Min.

Material Insulator: NYLON 9T UL94V-0
 Material Pin: Phosphor Bronze / Tin over Nickel
 Solder Tabs: Phosphor Bronze / Tin over Nickel

Drawing (dimensions all into mm)



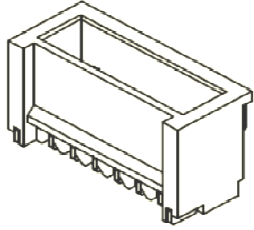
PCB Layout



Wire to Board Serie Pitch 1,00mm	
Part No.:	T68L002-
Customer:	

DRW:	Jason	CHKD	Wilson	MATL:	Wilson	TOLERANCE	Mason	DATE	15.03.2022
APPD:	Schumi			FINISH	Jamy		Sheet No.	1 from 3	

EDCON-COMPONENTS



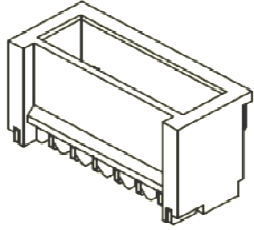
Dimension Informations about Housing

Table 1	Dimension (mm)					
Pos.	A	B	C	D	E	F
02	1,00	3,70				
03	2,00	4,70				
04	3,00	5,70				
05	4,00	6,70				
06	5,00	7,70				
07	6,00	8,70				
08	7,00	9,70				
09	8,00	10,70				
10	9,00	11,70				
11	10,00	12,70				
12	11,00	13,70				
13	12,00	14,70				
14	13,00	15,70				
15	14,00	16,70				
16	15,00	17,70				
17	16,00	18,70				
18	17,00	19,70				
19	18,00	20,70				
20	19,00	21,70				

Wire to Board Serie Pitch 1,00mm	
Part No.:	T68L002-
Customer:	

DRW:	Jason	CHKD	Wilson	MATL:	Wilson	TOLERANCE	Mason	DATE	15.03.2022
APPD:	Schumi			FINISH	Jamy		Sheet No.		2 from 3

EDCON-COMPONENTS



Ordering Informations

Serie	Positions	Body Color	ROHS	Packing						
T68L002-	02	WH	R	BU						

Look Table 1		R= ROHS Conform	BU= Bulk (Standard)
	WH= White	N= NON ROHS Conform	

Wire to Board Serie Pitch 1,00mm	
Part No.:	T68L002-
Customer:	

DRW:	Jason	CHKD	Wilson	MATL:	Wilson	TOLERANCE	Mason	DATE	15.03.2022
APPD:	Schumi			FINISH	Jamy		Sheet No.	3 from 3	