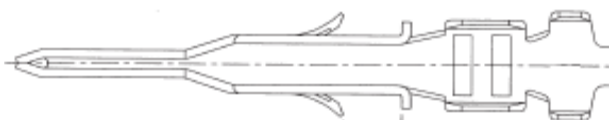


EDCON-COMPONENTS

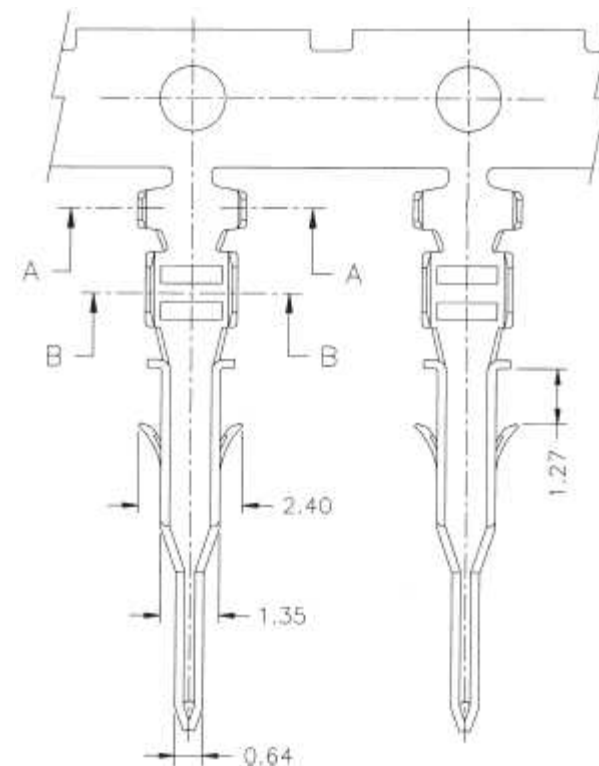
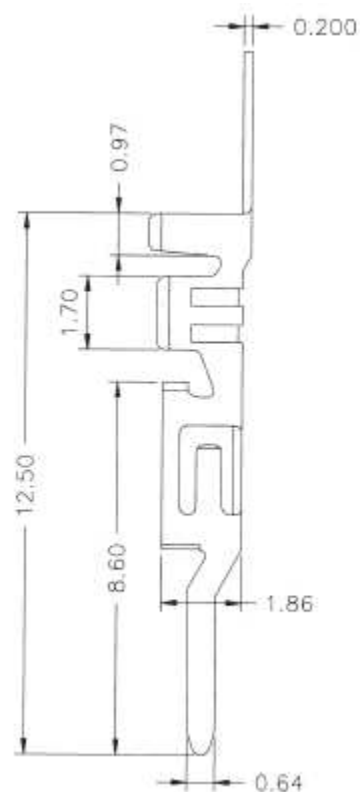
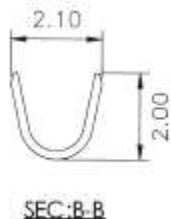
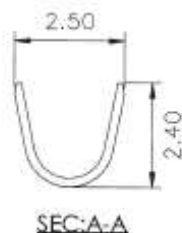


Specifications

Current Rating: 5,0A
 Insulation Resistance: 1000M Ohm min.
 Contact Resistance: 10milli Ohm max.
 Dielectric Voltage: 1500V AC for one minute
 Operating Temperature: . -25°C ~ to +85°C

Contact Pin: Phosphor Bronze
 Contact Plating: Tin plated
 Wire Range: AWG20~24

Drawing



**MICRO FIT CONNECTOR
Male Contact**

Part No.: **T48026-**

DRW:	Jason	CHKD	Wilson	MATL:	Wilson	TOLERANCE	Mason	DATE	07.10.2015
APPD:	Schumi			FINISH	Jamy		Sheet No.	1 from 2	Customer:

www.edcon-components.com

email: info@edcon-components.com

EDCON-COMPONENTS



Ordering Informations

Serie	No. of Pos.	Contact Plating	ROHS	Packing						
T48026-	M	T0	R	TR						

M=Male Contact	T0= Tin plated	N=NO ROHS conform	BU= Bulk Ware
		R=ROHS conform	
			TR= Tape / Reel

MICRO FIT CONNECTOR Male Contact
Part No.: T48026-
Customer:

DRW:	Jason	CHKD	Wilson	MATL:	Wilson	TOLERANCE	Mason	DATE	07.10.2015
APPD:	Schumi			FINISH	Jamy		Sheet No.	2 from 2	