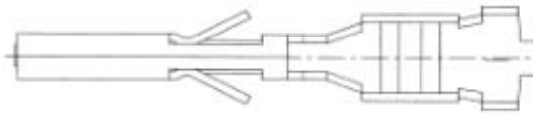


EDCON-COMPONENTS

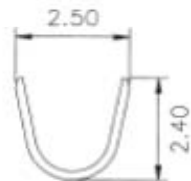


Specifications

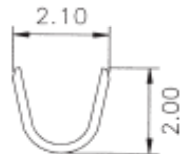
Current Rating: 5,0A
 Insulation Resistance: 1000M Ohm min.
 Contact Resistance: 10milli Ohm max.
 Dielectric Voltage: 1500V AC for one minute
 Operating Temperature: . -25°C ~ to +85°C

Contact Pin: Phosphor Bronze
 Contact Plating: Tin plated
 Wire Range: AWG20~24

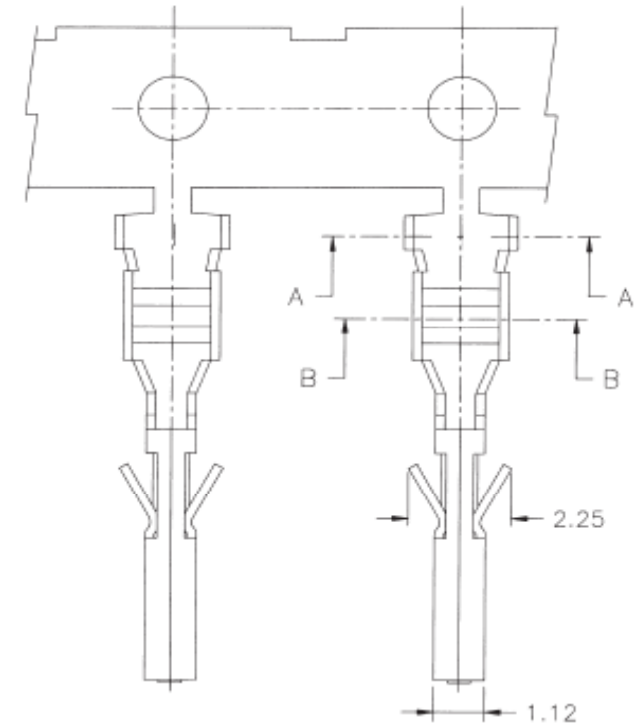
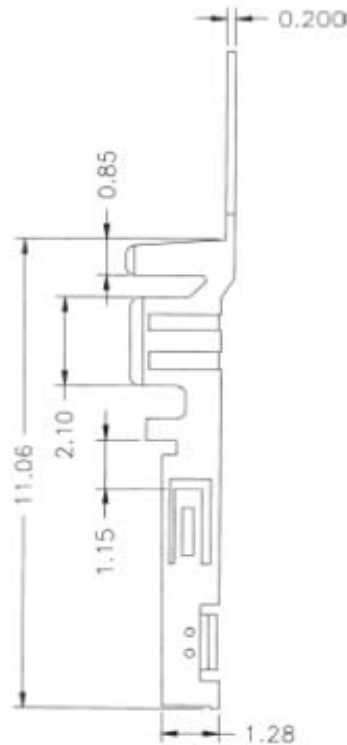
Drawing



SEC:A-A



SEC:B-B



**MICRO FIT CONNECTOR
 Female Contact**

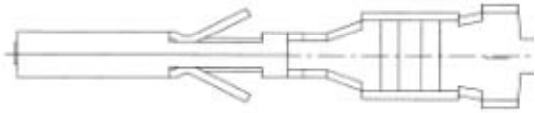
Part No.: **T48025-**

DRW:	Jason	CHKD	Wilson	MATL:	Wilson	TOLERANCE	Mason	DATE	26.03.2021
APPD:	Schumi			FINISH	Jamy		Sheet No.	1 from 2	Customer:

www.edcon-components.com

email: info@edcon-components.com

EDCON-COMPONENTS



Ordering Informations

Serie	No. of Pos.	Contact Plating	ROHS	Packing						
T48025-	F	T0	R	TR						

F =Female Contact	T0 = Tin plated	N =NO ROHS	BU = Bulk Ware
	S0 = Tin plated Solder Gold Flash on Contact Area	R =ROHS conform	TR = Tape / Reel

MICRO FIT CONNECTOR Female Contact	
Part No.:	T48025-
Customer:	

DRW:	Jason	CHKD	Wilson	MATL:	Wilson	TOLERANCE	Mason	DATE	26.03.2021
APPD:	Schumi			FINISH	Jamy		Sheet No.		2 from 2