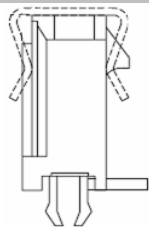


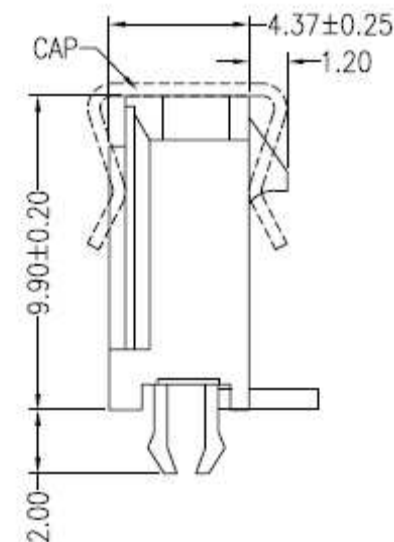
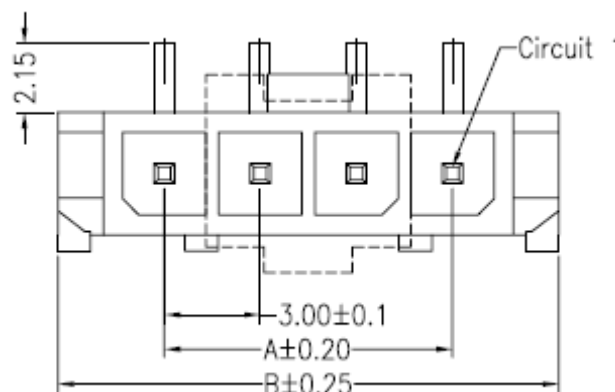
# EDCON-COMPONENTS



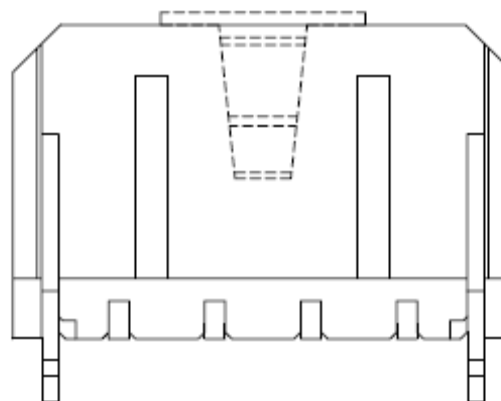
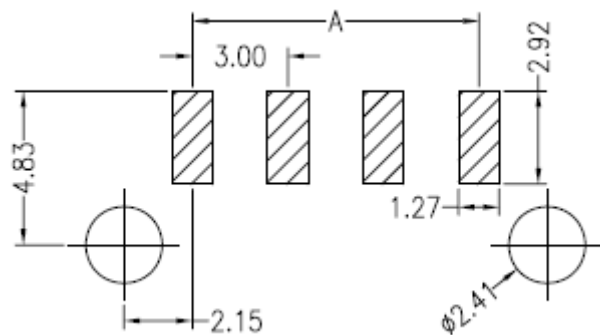
## Specifications

Current Rating:	5,0A
Insulation Resistance:	1000M Ohm min.
Contact Resistance:	10milli Ohm max.
Dielectric Voltage:	1500V AC for one minute
Operating Temperature:	. -25°C ~ to +85°C
Insulator Material:	High Temperature Plastic UL94V
Contact Pin:	Brass
Contact Plating:	Sn over Ni.

## Drawing



## PCB Layout



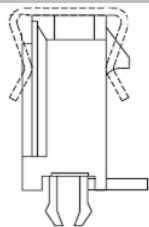
**MICRO FIT CONNECTOR  
3,00mm**

Part No.: **T48014**

DRW:	Jason	CHKD	Wilson	MATL:	Wilson	TOLERANCE	Mason	DATE	10.04.2009
APPD:	Schumi			FINISH	Jamy		Sheet No.	1 from 4	Customer:



# EDCON-COMPONENTS



## Ordering Informations

Serie	No. of Pos.	Contact Plating	Plastic Material	Color	ROHS	Packing				
<b>T48014</b>	<b>XX</b>	<b>T0</b>	<b>HT</b>	<b>BK</b>	<b>R</b>	<b>BU</b>				

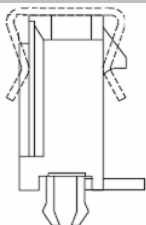
<b>XX</b> =2, 3, 4, 5, 6, 7, 8, 9, 10, 11, 12	<b>T0</b> = Tin plated	<b>HT</b> = High Temperatur Plastic	<b>BK</b> = Black	<b>N</b> =NO ROHS conform	<b>BU</b> = Bulk Ware
				<b>R</b> =ROHS conform	<b>TU</b> = Tube Packing w. Cap
					<b>TR</b> = Tape / Reel

**MICRO FIT CONNECTOR  
3,00mm**

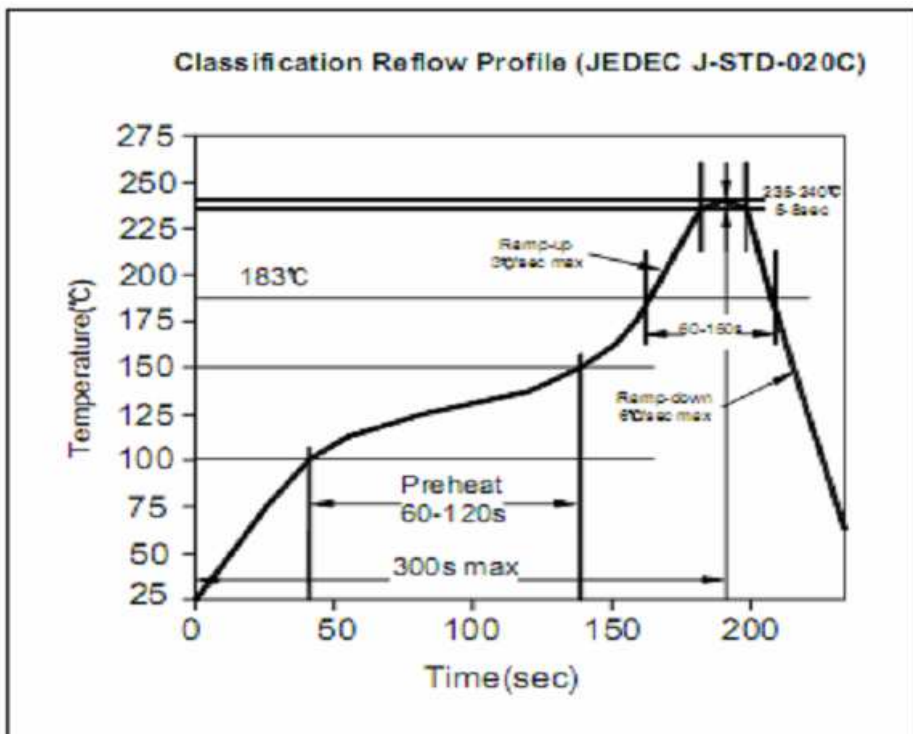
Part No.: **T48014**

DRW:	Jason	CHKD	Wilson	MATL:	Wilson	TOLERANCE	Mason	DATE	10.04.2009
APPD:	Schumi			FINISH	Jamy		Sheet No.		3 from 4

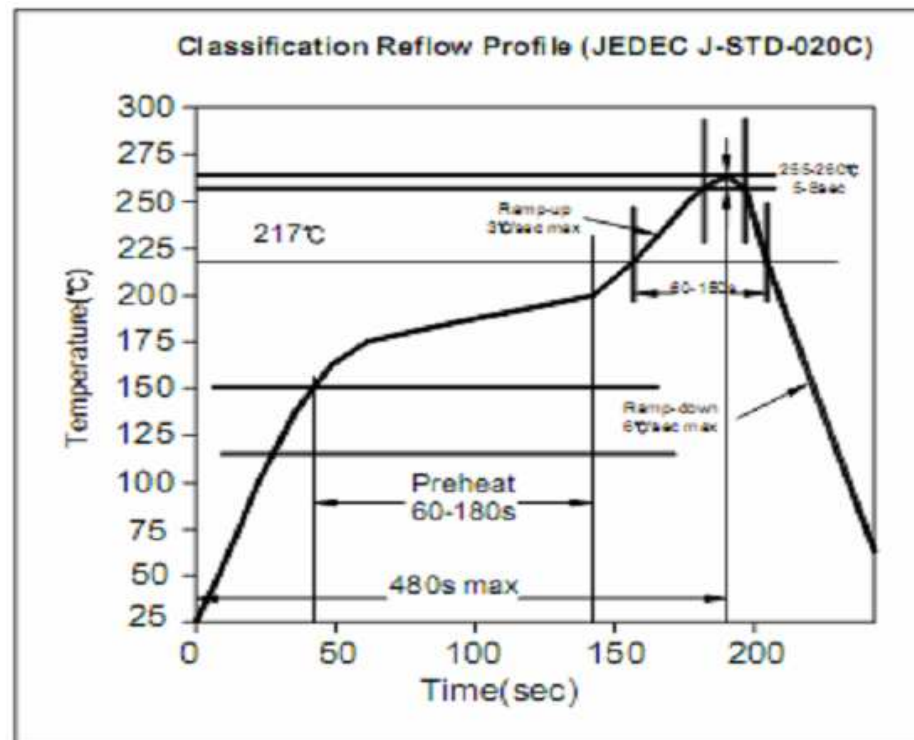
Customer:



## Soldering Profile for Lead Soldering ( P.B.T. )



## Soldering Profile for Lead Free Soldering ( Nylon 6T )



**MICRO FIT CONNECTOR  
3,00mm**

Part No.: **T48014**

DRW:	Jason	CHKD	Wilson	MATL:	Wilson	TOLERANCE	Mason	DATE	10.04.2009	Customer:
APPD:	Schumi			FINISH	Jamy		Sheet No.	4 from 4		