

EDCON-COMPONENTS

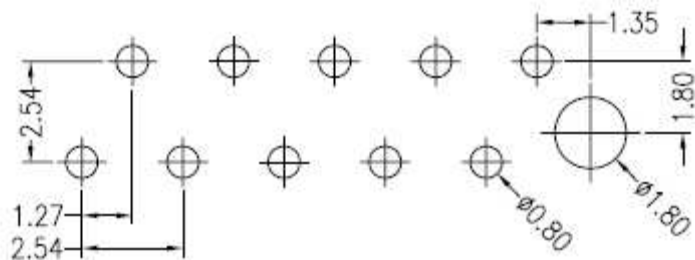


Specifications

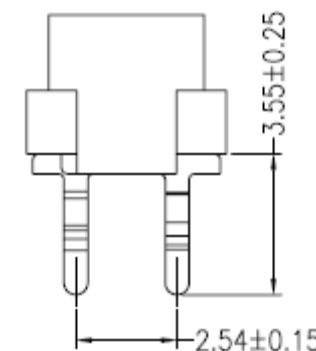
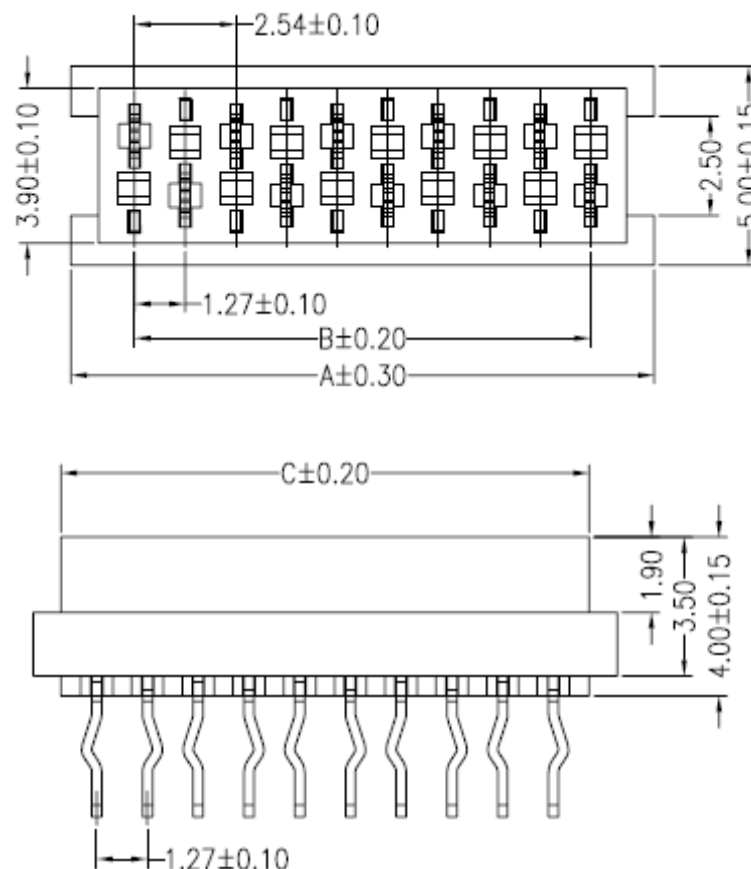
Current Rating: 1,0A
 Insulation Resistance: 1000M Ohm min.
 Contact Resistance: 20milli Ohm max.
 Dielectric Voltage: 500V AC for one minute
 Operating Temperature: . -40°C ~ to +105°C

Contact Pin: Phosphor Bronze
 Contact Plating: Sn over Ni
 Insulator Material: PBT/PA6T/PA46 UL94V-0
 High Temperature

PCB Layout



Drawing



**Micro Match Connector
from EDCON**

Part No.: **T46002**

Customer:

DRW:	Jason	CHKD	Wilson	MATL:	Wilson	TOLERANCE	Mason	DATE	10.04.2009
APPD:	Schumi			FINISH	Jamy		Sheet No.	1 from 4	

www.edcon-components.com

email: info@edcon-components.com

EDCON-COMPONENTS



Ordering Informations

Serie	No. of Pos.	Contact Plating	Material	Color of Body	ROHS	Packing				
T46002	XX	G0	PB	RD	R	BU				

XX= 4, 6, 8, 10, 12, 14, 16, 18, 20,	G0= Gold Flash	PB= PBT	RD= Red	N=NO ROHS conform	BU= Bulk Ware
	T0= Tin plated	PA= PA6T +30% GF f. ROHS		R=ROHS conform	TU= Tube Packing
	GA= 3µ Gold Plating	P4= PA 46		TY= Tray	
	GB= 5µ Gold Plating				
	GC= 10µ Gold Plating				
	GD= 30µ Gold Plating				
	S0= Selectiv Plating Gold Flash / Tin				
	SD= Selectiv Tin/ 5µGold				
SD= Selectiv Tin/ 10µ Gold Flash					
SD= Selectiv Tin/ 20µ Gold	SD= Selectiv Tin/ 30µ Gold				

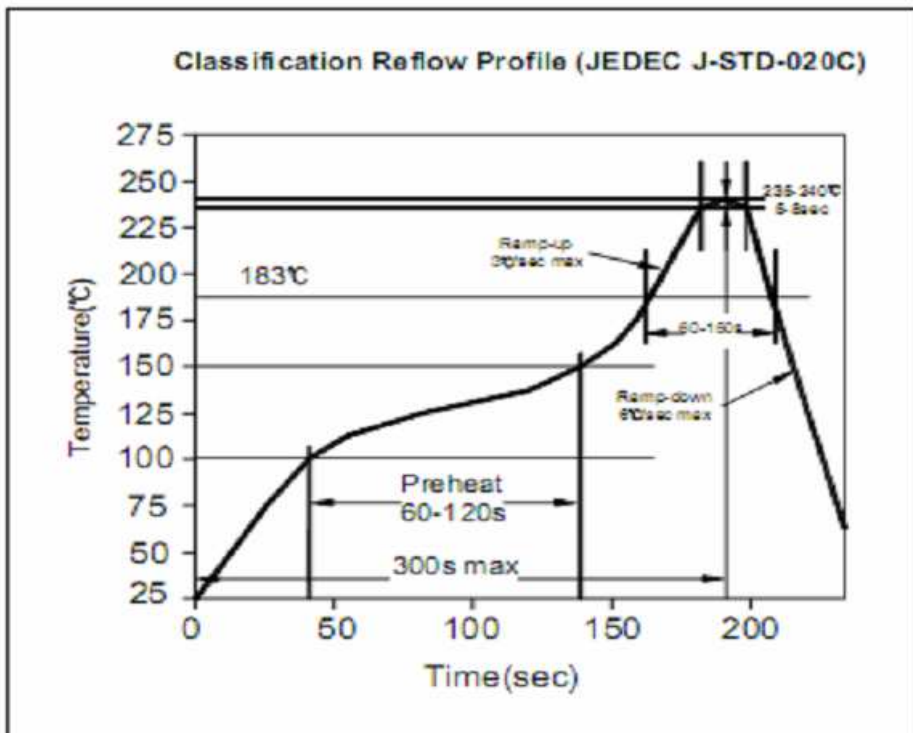
Micro Match Connector from EDCON	
Part No.:	T46002
Customer:	

DRW:	Jason	CHKD	Wilson	MATL:	Wilson	TOLERANCE	Mason	DATE	10.04.2009
APPD:	Schumi			FINISH	Jamy		Sheet No.		3 from 4

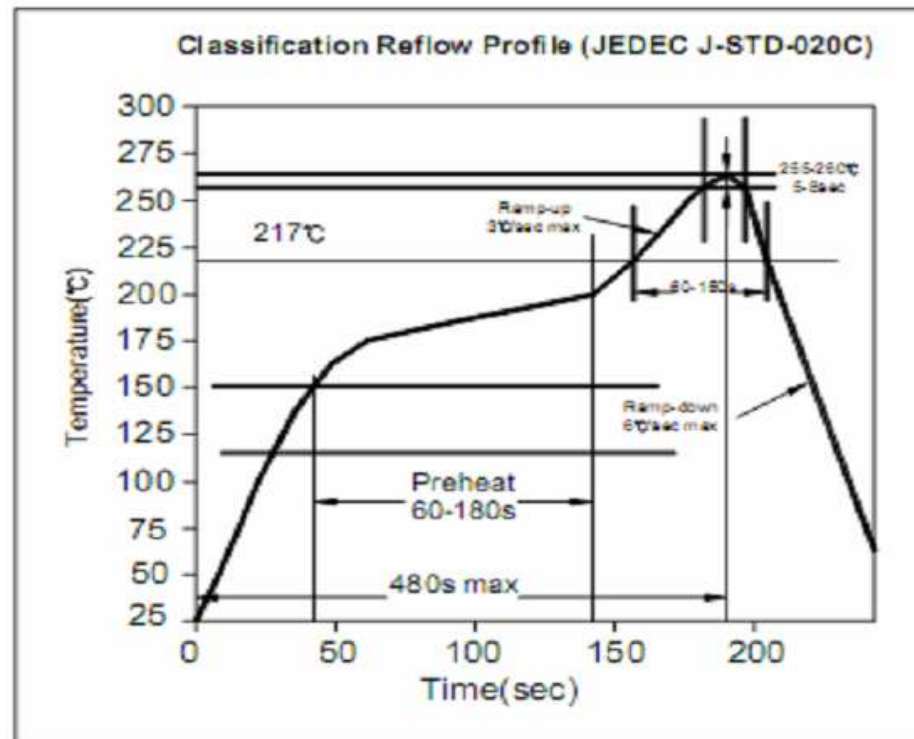
EDCON-COMPONENTS



Soldering Profile for Lead Soldering (P.B.T.)



Soldering Profile for Lead Free Soldering (Nylon 6T)



Micro Match Connector from EDCON

Part No.: **T46002**

Customer:

DRW:	Jason	CHKD	Wilson	MATL:	Wilson	TOLERANCE	Mason	DATE	10.04.2009
APPD:	Schumi			FINISH	Jamy		Sheet No.	4 from 4	

www.edcon-components.com

email: info@edcon-components.com