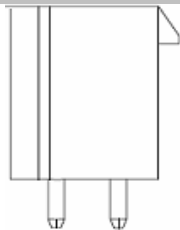


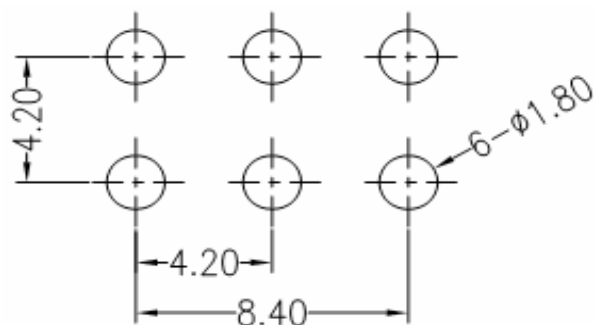
# EDCON-COMPONENTS



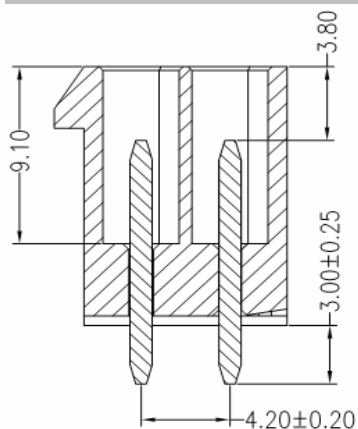
## Specifications

Current Rating:	9,0A
Insulation Resistance:	1500M Ohm min.
Contact Resistance:	20milli Ohm max.
Dielectric Voltage:	600V AC for one minute
Operating Temperature:	-25°C ~ to +85°C
Insulator Material:	High Temperature Plastic UL94V
Contact Pin:	Brass
Contact Plating:	Sn over Ni.
	Stamped Pin

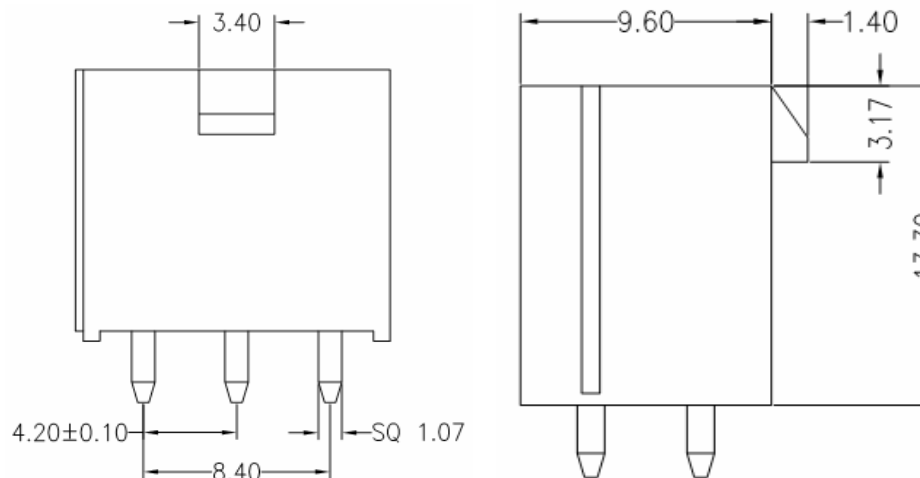
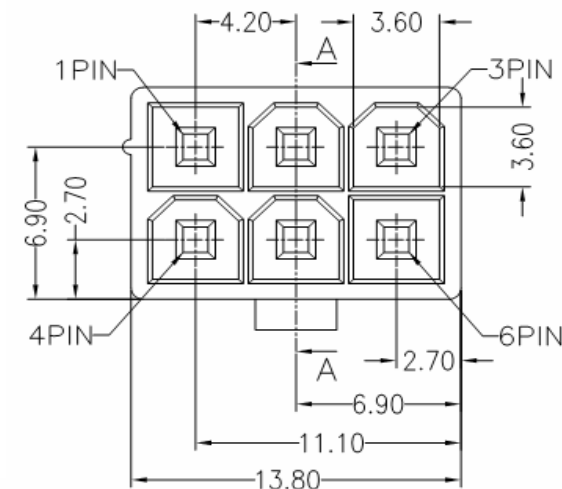
## PCB Layout



## Drawing



Section A-A

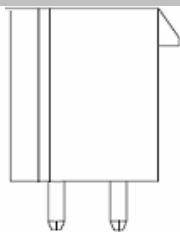


<b>MINI FIT CONNECTOR 4,20mm</b>	
Part No.:	<b>T45021</b>
Customer:	

DRW:	Jason	CHKD	Wilson	MATL:	Wilson	TOLERANCE	Mason	DATE	10.04.2009
APPD:	Schumi			FINISH	Jamy		Sheet No.		1 from 4



# EDCON-COMPONENTS



## Ordering Informations

Serie	No. of Pos.	Contact Plating	Plastic Material	Color	ROHS	Packing				
<b>T45021</b>	<b>XX</b>	<b>T0</b>	<b>HT</b>	<b>WH</b>	<b>R</b>	<b>BU</b>				

<b>XX= 6</b>	<b>T0=</b> Tin plated	<b>HT=</b> High Temperatur Plastic	<b>WH=</b> White	<b>N=</b> NO ROHS conform <b>R=</b> ROHS conform	<b>BU=</b> Bulk Ware ( Standard) <b>TU=</b> Tube Packing

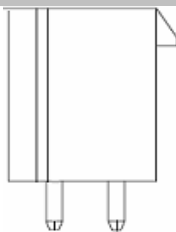
**MINI FIT CONNECTOR  
4,20mm**

Part No.: **T45021**

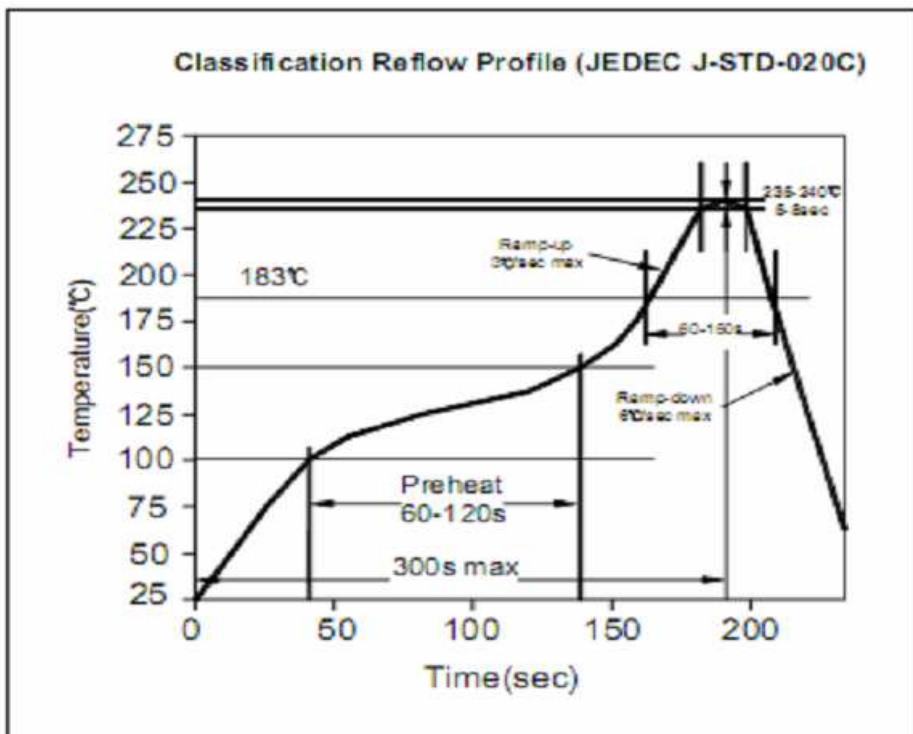
DRW:	Jason	CHKD	Wilson	MATL:	Wilson	TOLERANCE	Mason	DATE	10.04.2009
APPD:	Schumi			FINISH	Jamy			Sheet No.	3 from 4

Customer:

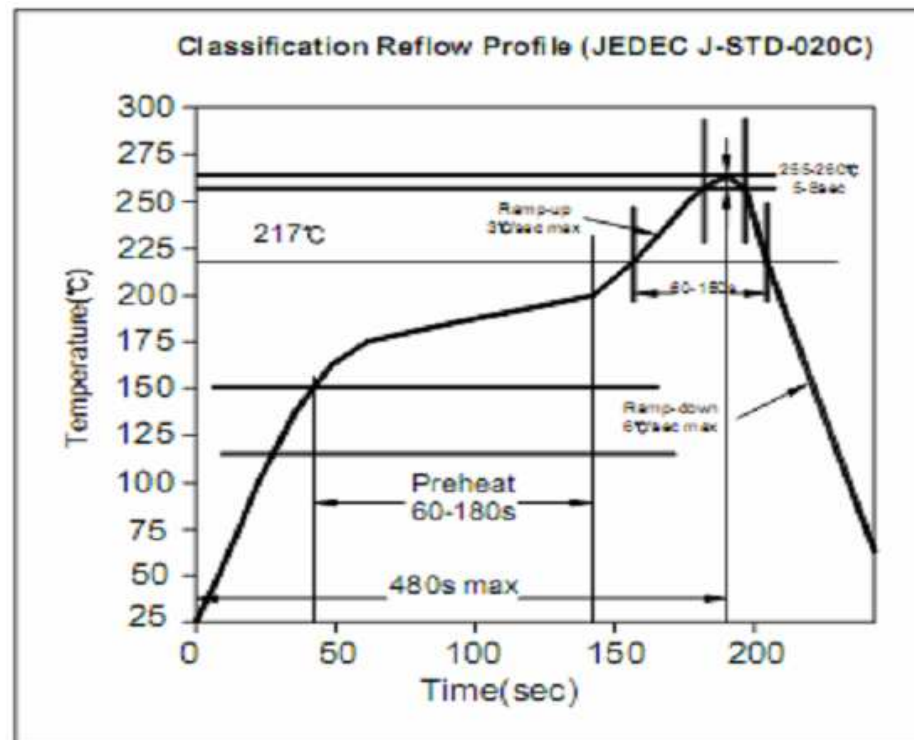
# EDCON-COMPONENTS



## Soldering Profile for Lead Soldering ( P.B.T. )



## Soldering Profile for Lead Free Soldering ( Nylon 6T )



**MINI FIT CONNECTOR  
4,20mm**

Part No.: **T45021**

DRW:	Jason	CHKD	Wilson	MATL:	Wilson	TOLERANCE	Mason	DATE	10.04.2009	Customer:
APPD:	Schumi			FINISH	Jamy		Sheet No.	4 from 4		

[www.edcon-components.com](http://www.edcon-components.com)

email: [info@edcon-components.com](mailto:info@edcon-components.com)