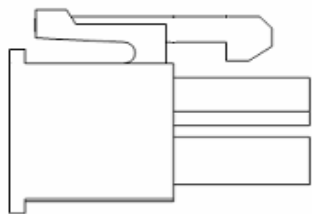


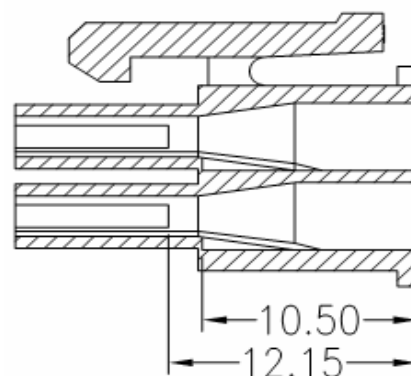
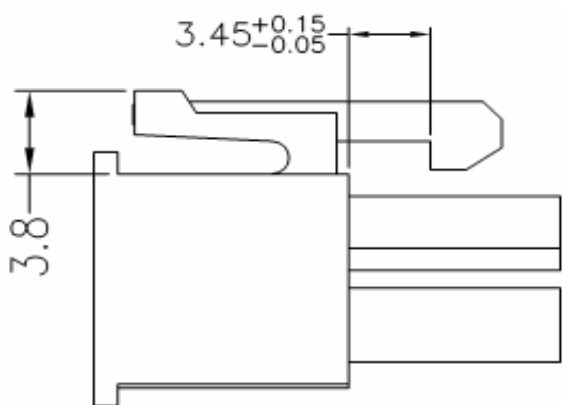
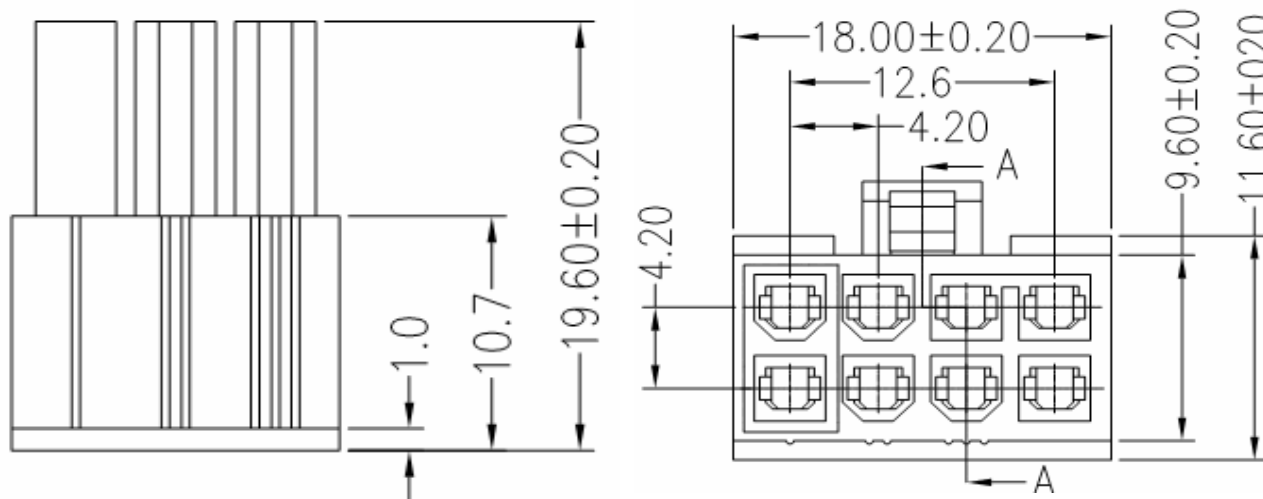
EDCON-COMPONENTS



Specifications

Current Rating:	9,0A
Insulation Resistance:	1500M Ohm min.
Contact Resistance:	20milli Ohm max.
Dielectric Voltage:	600V AC for one minute
Operating Temperature:	. -25°C ~ to +85°C
Insulator Material:	High Temperature Plastic UL94V
Contact Pin:	Brass
Contact Plating:	Sn over Ni.
	Stamped Pin

Drawing



Section A-A

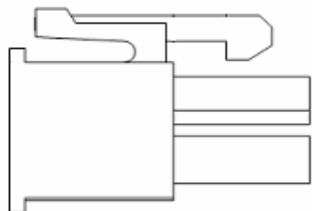
**MINI FIT CONNECTOR
4,20mm**

Part No.: **T45020**

Customer:

DRW:	Jason	CHKD	Wilson	MATL:	Wilson	TOLERANCE	Mason	DATE	10.04.2009
APPD:	Schumi			FINISH	Jamy		Sheet No.	1 from 3	

EDCON-COMPONENTS



Ordering Informations

Serie	No. of Pos.	No Function	Plastic Material	Color	ROHS	Packing				
T45020	XX	NO	HT	WH	R	BU				

XX= 8	NO= No function	HT= High Temperatur Plastic	WH= White	N=NO ROHS conform	BU= Bulk Ware (Standard)
				R=ROHS conform	

**MINI FIT CONNECTOR
4,20mm**

Part No.: **T45020**

DRW:	Jason	CHKD	Wilson	MATL:	Wilson	TOLERANCE	Mason	DATE	10.04.2009
APPD:	Schumi			FINISH	Jamy		Sheet No.		3 from 3

Customer: