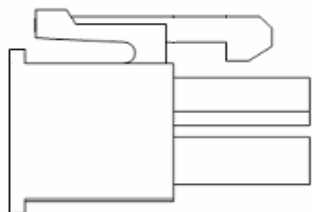


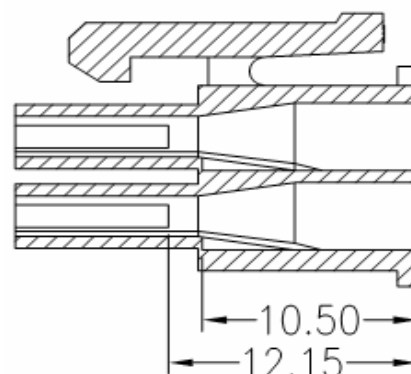
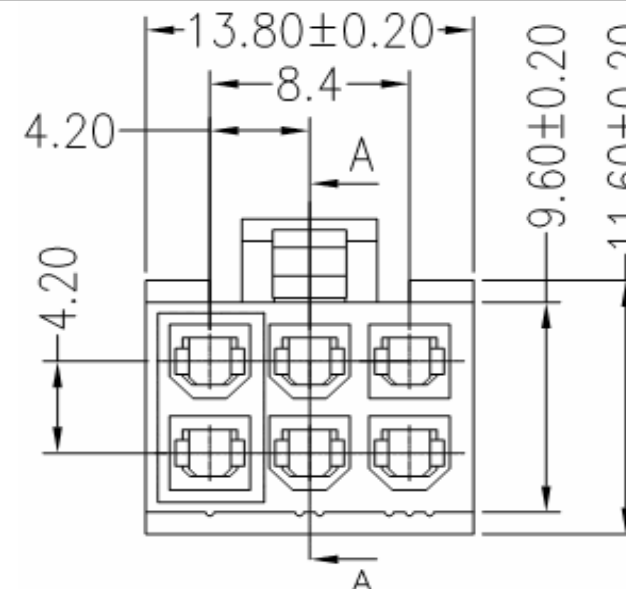
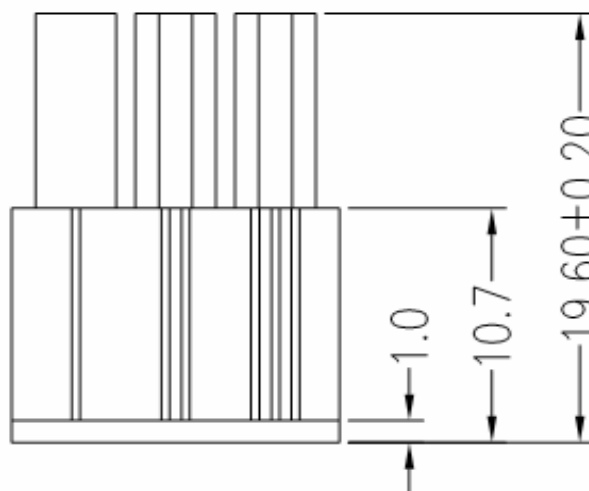
EDCON-COMPONENTS



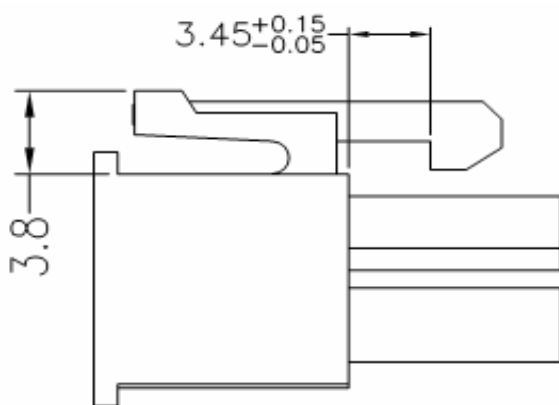
Specifications

| | |
|------------------------|--------------------------------|
| Current Rating: | 9,0A |
| Insulation Resistance: | 1500M Ohm min. |
| Contact Resistance: | 20milli Ohm max. |
| Dielectric Voltage: | 600V AC for one minute |
| Operating Temperature: | -25°C ~ to +85°C |
| Insulator Material: | High Temperature Plastic UL94V |
| Contact Pin: | Brass |
| Contact Plating: | Sn over Ni. |
| | Stamped Pin |

Drawing



Section A-A



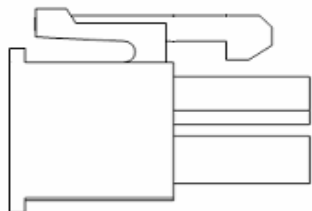
**MINI FIT CONNECTOR
4,20mm**

Part No.: **T45019**

Customer:

| | | | | | | | | | |
|-------|--------|------|--------|--------|--------|-----------|-----------|----------|------------|
| DRW: | Jason | CHKD | Wilson | MATL: | Wilson | TOLERANCE | Mason | DATE | 10.04.2009 |
| APPD: | Schumi | | | FINISH | Jamy | | Sheet No. | 1 from 3 | |

EDCON-COMPONENTS



Ordering Informations

| Serie | No. of Pos. | No Function | Plastic Material | Color | ROHS | Packing | | | | |
|---------------|-------------|-------------|------------------|-----------|----------|-----------|--|--|--|--|
| T45019 | XX | NO | HT | WH | R | BU | | | | |

| | | | | | |
|--------------|------------------------|------------------------------------|------------------|--------------------------|----------------------------------|
| XX= 6 | NO= No function | HT= High Temperatur Plastic | WH= White | N=NO ROHS conform | BU= Bulk Ware (Standard) |
| | | | | R=ROHS conform | |

**MINI FIT CONNECTOR
4,20mm**

Part No.: **T45019**

| | | | | | | | | | |
|-------|--------|------|--------|--------|--------|-----------|-------|-----------|------------|
| DRW: | Jason | CHKD | Wilson | MATL: | Wilson | TOLERANCE | Mason | DATE | 10.04.2009 |
| APPD: | Schumi | | | FINISH | Jamy | | | Sheet No. | 3 from 3 |

Customer: