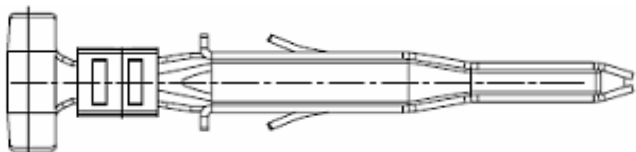


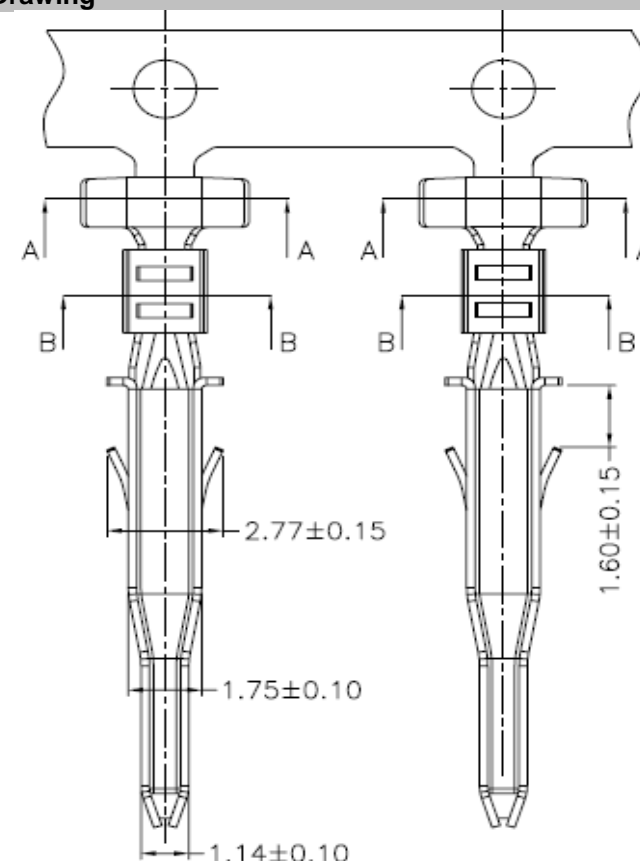
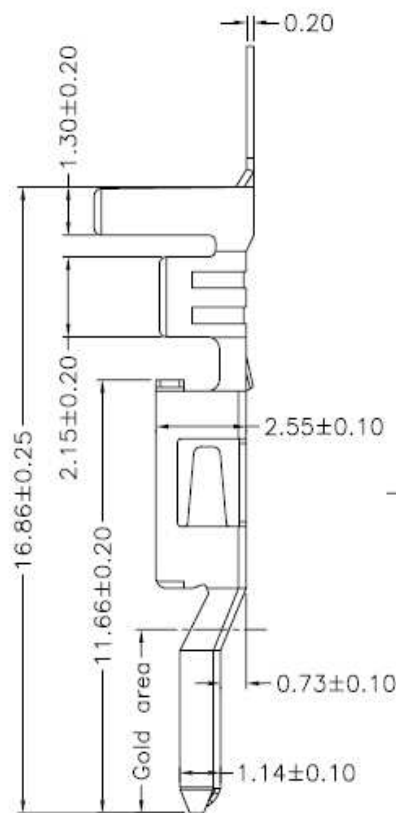
# EDCON-COMPONENTS



## Specifications

Current Rating:	9,0A
Insulation Resistance:	1500M Ohm min.
Contact Resistance:	20milli Ohm max.
Dielectric Voltage:	600V AC for one minute
Operating Temperature:	-25°C ~ to +85°C
Insulator Material:	High Temperature Plastic UL94V
Contact Pin:	Brass
Contact Plating:	Sn over Ni.
	Stamped Pin

## Drawing



**MINI FIT Male Terminal  
4,20mm**

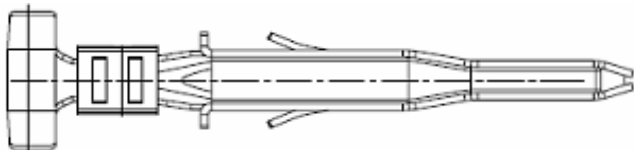
Part No.: **T45005**

DRW:	Jason	CHKD	Wilson	MATL:	Wilson	TOLERANCE	Mason	DATE	10.04.2009
APPD:	Schumi			FINISH	Jamy		Sheet No.	1 from 2	Customer:

[www.edcon-components.com](http://www.edcon-components.com)

email: [info@edcon-components.com](mailto:info@edcon-components.com)

# EDCON-COMPONENTS



## Ordering Informations

Serie	Terminal	Contact	ROHS	Packing						
T45005	M	T0	R	TR						

<b>M=Male Terminal</b>	<b>T0=</b> Tin plated	<b>N=NO</b> ROHS conform	<b>TR=</b> Tape Reel 5K
	<b>G0=</b> Gold Flash plated	<b>R=ROHS</b> conform	
	<b>GA=</b> 5µ Gold plated		
	<b>GB=</b> 10µ Gold plated		
	<b>GC=</b> 15µ Gold plated		
	<b>GD=</b> 30µ Gold plated		
	<b>S0=</b> Selectiv Gold/ Tin plated		
	<b>SA=</b> Selectiv Gold 5µ/ Tin plated		
	<b>SB=</b> Selectiv Gold 10µ/ Tin plated		
	<b>SC=</b> Selectiv Gold 15µ/ Tin plated	<b>SD=</b> Selectiv Gold 30µ/ Tin plated	

<b>MINI FIT Male Terminal 4,20mm</b>	
Part No.:	<b>T45005</b>
Customer:	

DRW:	Jason	CHKD	Wilson	MATL:	Wilson	TOLERANCE	Mason	DATE	10.04.2009
APPD:	Schumi			FINISH	Jamy		Sheet No.		2 from 2

[www.edcon-components.com](http://www.edcon-components.com)

email: [info@edcon-components.com](mailto:info@edcon-components.com)