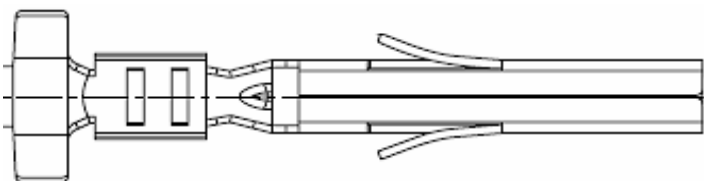


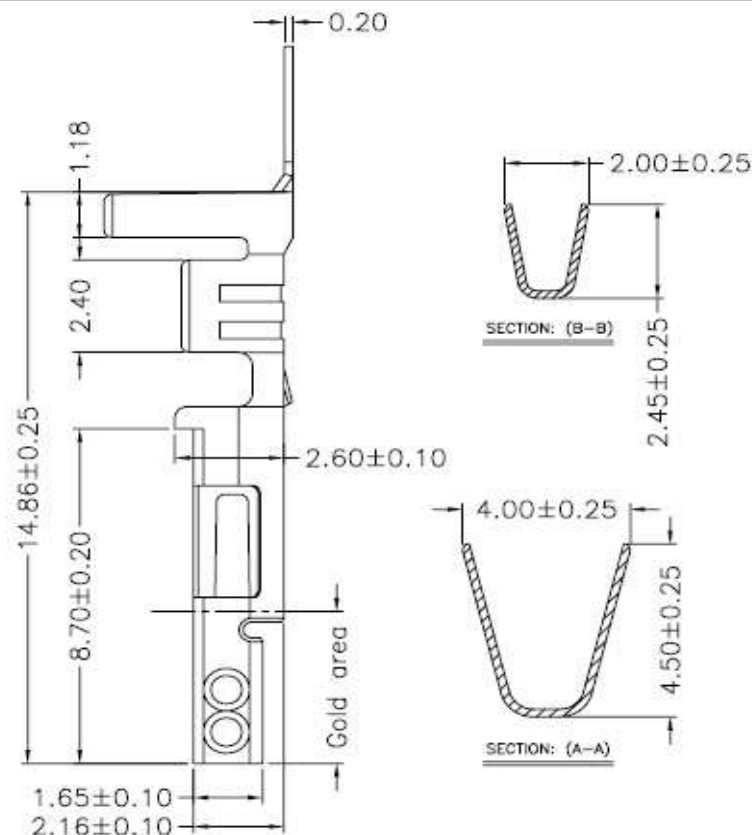
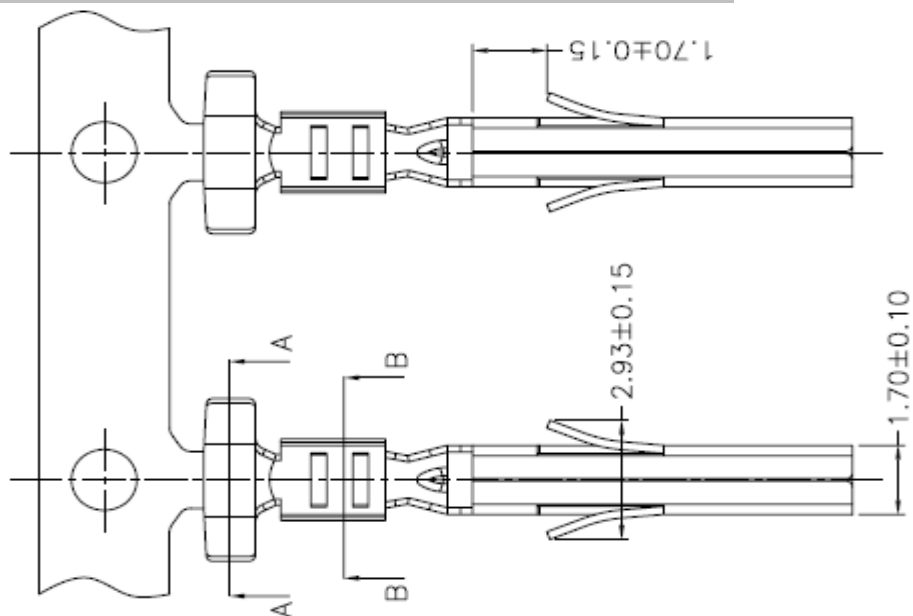
EDCON-COMPONENTS



Specifications

Current Rating:	9,0A
Insulation Resistance:	1500M Ohm min.
Contact Resistance:	20milli Ohm max.
Dielectric Voltage:	600V AC for one minute
Operating Temperature:	. -25°C ~ to +85°C
Insulator Material:	High Temperature Plastic UL94V
Contact Pin:	Brass
Contact Plating:	Sn over Ni.
	Stamped Pin

Drawing



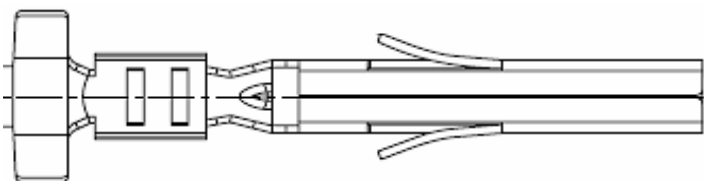
**MINI FIT Female Terminal
4,20mm**

Part No.: **T45004**

Customer:

DRW:	Jason	CHKD	Wilson	MATL:	Wilson	TOLERANCE	Mason	DATE	10.04.2009
APPD:	Schumi			FINISH	Jamy		Sheet No.	1 from 2	

EDCON-COMPONENTS



Ordering Informations

Serie	Terminal	Contact	ROHS	Packing						
T45004	F	T0	R	TR						

F =Female Terminal	T0 = Tin plated	N =NO ROHS conform	TR = Tape Reel 5K
	G0 = Gold Flash plated	R =ROHS conform	
	GA = 5µ Gold plated		
	GB = 10µ Gold plated		
	GC = 15µ Gold plated		
	GD = 30µ Gold plated		
	S0 = Selectiv Gold/ Tin plated		
	SA = Selectiv Gold 5µ/ Tin plated		
	SB = Selectiv Gold 10µ/ Tin plated		
	SC = Selectiv Gold 15µ/ Tin plated	SD = Selectiv Gold 30µ/ Tin plated	

MINI FIT Female Terminal 4,20mm	
Part No.:	T45004

DRW:	Jason	CHKD:	Wilson	MATL:	Wilson	TOLERANCE:	Mason	DATE:	10.04.2009	Customer:
APPD:	Schumi			FINISH:	Jamy		Sheet No.	2 from 2		

www.edcon-components.com

email: info@edcon-components.com