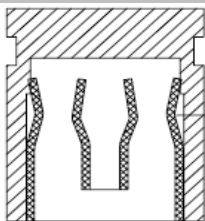


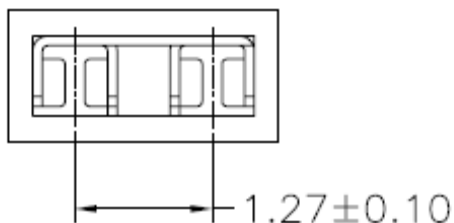
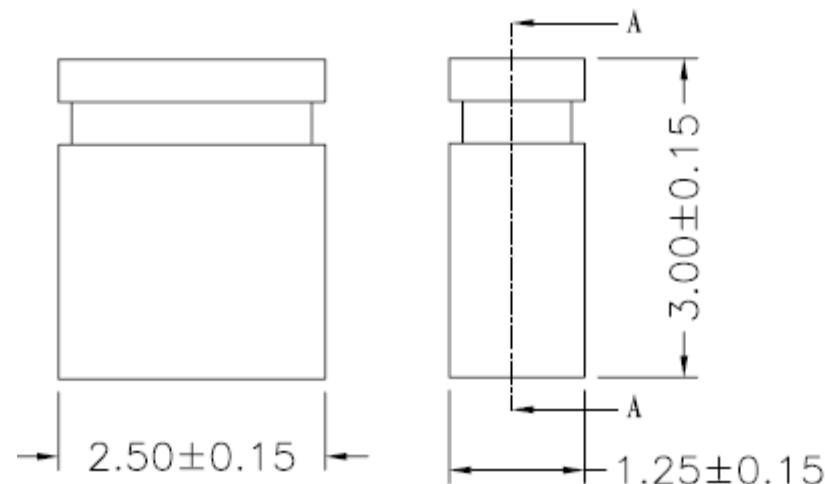
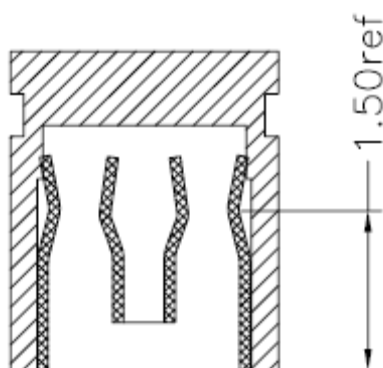
EDCON-COMPONENTS



Specifications

Current Rating:	1,0A
Insulation Resistance:	500M Ohm min.
Contact Resistance:	20milli Ohm max.
Dielectric Voltage:	1000V AC for one minute
Operating Temperature:	. -40°C ~ to +105°C
Insulator Material:	PBT+30% G.F.(UL94V-0)
Contact Pin:	Brass
Contact Plating:	Gold or Sn over Ni.

Drawing



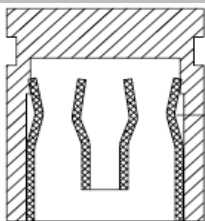
Jumper Pitch 1,27mm

Part No.: **T37C002**

DRW:	Jason	CHKD	Wilson	MATL:	Wilson	TOLERANCE	Mason	DATE	10.04.2009
APPD:	Schumi			FINISH	Jamy		Sheet No.		1 from 4

Customer:

EDCON-COMPONENTS



Ordering Informations

Serie	No. of Pos.	Contact Plating	Material	Color of Body	ROHS	Packing				
T37C002	02	G0	PB	BK	R	BU				

G0 = Gold Flash	PB = PBT +30% GF	BK = Black	N =NO ROHS conform	BU = Bulk Ware
T0 = Tin plated		RD = Red	R =ROHS conform	
GA = 3µ Gold Plating		YE = Yellow		
GB = 5µ Gold Plating				
GC = 10µ Gold Plating				
GD = 30µ Gold Plating				
S0 = Selectiv Plating Gold Flash / Tin				
SD = Selectiv Tin/ 5µGold				
SD = Selectiv Tin/ 10µ Gold Flash				
SD = Selectiv Tin/ 20µ Gold	SD = Selectiv Tin/ 30µ Gold			

Jumper Pitch 1,27mm

Part No.: **T37C002**

DRW:	Jason	CHKD	Wilson	MATL:	Wilson	TOLERANCE	Mason	DATE	10.04.2009	Customer:
APPD:	Schumi			FINISH	Jamy		Sheet No.	3 from 4		

www.edcon-components.com

email: info@edcon-components.com