

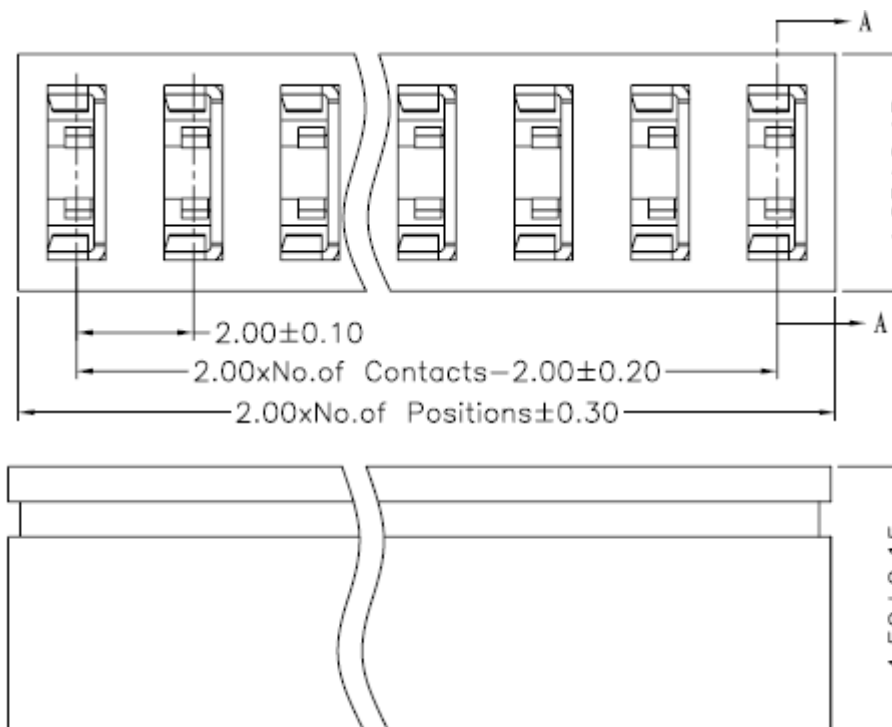
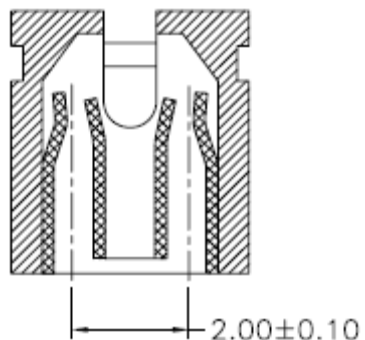
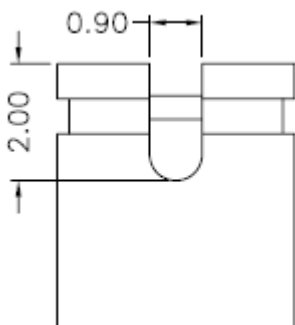
# EDCON-COMPONENTS



## Specifications

Current Rating: 1,5A  
 Insulation Resistance: 500M Ohm min.  
 Contact Resistance: 20milli Ohm max.  
 Dielectric Voltage: 1000V AC for one minute  
 Operating Temperature: -40°C ~ to +105°C  
 Insulator Material: PBT+30% G.F.(UL94V-0)  
 Contact Pin: Brass  
 Contact Plating: Gold or Sn over Ni.

## Drawing



**Jumper Pitch 2,00mm**

Part No.: **T37B002**

DRW:	Jason	CHKD	Wilson	MATL:	Wilson	TOLERANCE	Mason	DATE	10.04.2009
APPD:	Schumi			FINISH	Jamy		Sheet No.	1 from 2	Customer:

[www.edcon-components.com](http://www.edcon-components.com)

email: [info@edcon-components.com](mailto:info@edcon-components.com)

# EDCON-COMPONENTS



## Ordering Informations

Serie	No. of Pos.	Contact Plating	Material	Color of Body	ROHS	Packing				
<b>T37B002</b>	<b>XX</b>	<b>G0</b>	<b>PB</b>	<b>BK</b>	<b>R</b>	<b>BU</b>				

<b>XX= 02 ~ 09Pos.</b>	<b>G0=</b> Gold Flash	<b>PB=</b> PBT +30% GF	<b>BK=</b> Black	<b>N=</b> NO ROHS conform	<b>BU=</b> Bulk Ware
	<b>T0=</b> Tin plated		<b>RD=</b> Red	<b>R=</b> ROHS conform	
	<b>GA=</b> 3µ Gold Plating		<b>YE=</b> Yellow		
	<b>GB=</b> 5µ Gold Plating				
	<b>GC=</b> 10µ Gold Plating				
	<b>GD=</b> 30µ Gold Plating				
	<b>S0=</b> Selectiv Plating Gold Flash / Tin				
	<b>SD=</b> Selectiv Tin/ 5µGold				
<b>SD=</b> Selectiv Tin/ 10µ Gold Flash					
<b>SD=</b> Selectiv Tin/ 20µ Gold	<b>SD=</b> Selectiv Tin/ 30µ Gold				

<b>Jumper Pitch 2,00mm</b>
Part No.: <b>T37B002</b>
Customer:

DRW:	Jason	CHKD	Wilson	MATL:	Wilson	TOLERANCE	Mason	DATE	10.04.2009
APPD:	Schumi			FINISH	Jamy		Sheet No.	2 from 2	