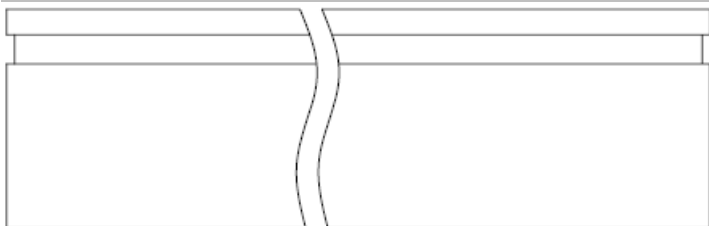


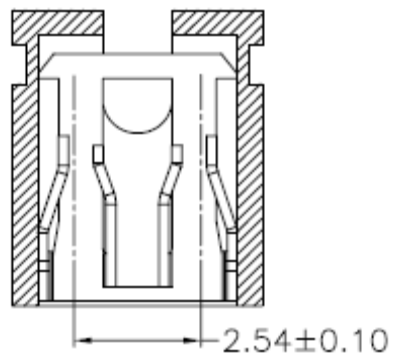
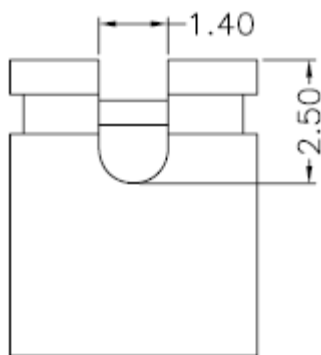
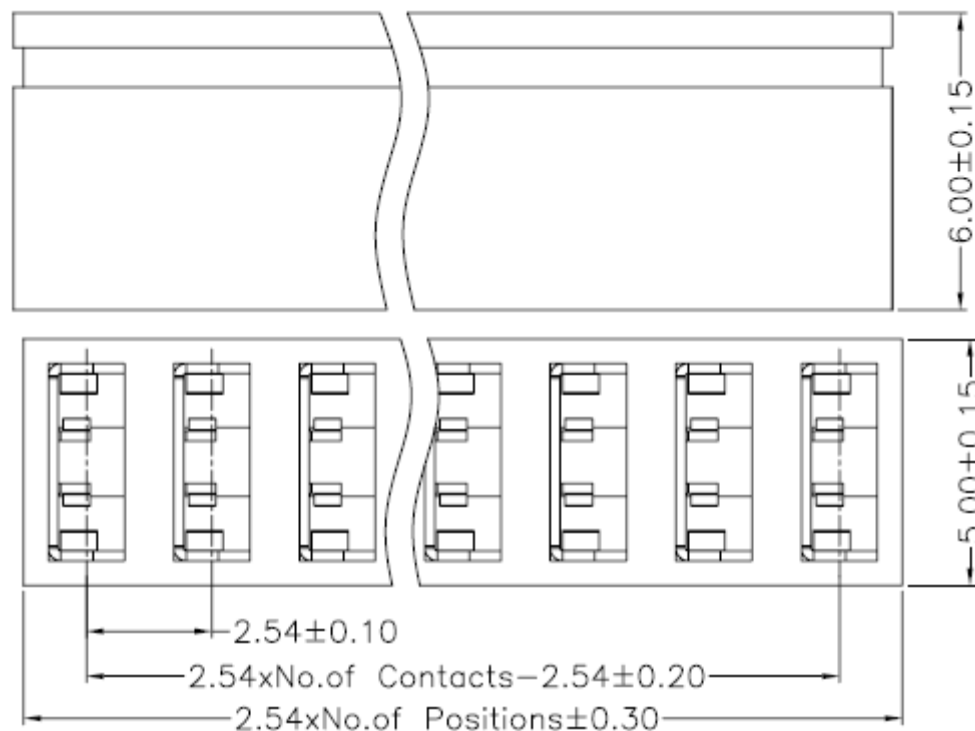
EDCON-COMPONENTS



Specifications

Current Rating: 3,0A
 Insulation Resistance: 1000M Ohm min.
 Contact Resistance: 20milli Ohm max.
 Dielectric Voltage: 100V AC for one minute
 Operating Temperature: -40°C ~ to +105°C
 Insulator Material: PBT+30% G.F.(UL94V-0)
 Contact Pin: Brass
 Contact Plating: Gold or Sn over Ni.

Drawing



Jumper Pitch 2,54mm

Part No.: **T37A002**

DRW:	Jason	CHKD	Wilson	MATL:	Wilson	TOLERANCE	Mason	DATE	10.04.2009
APPD:	Schumi			FINISH	Jamy		Sheet No.	1 from 4	Customer:

www.edcon-components.com

email: info@edcon-components.com

EDCON-COMPONENTS



Ordering Informations

Serie	No. of Pos.	Contact Plating	Material	Color of Body	ROHS	Packing				
T37A002	XX	G0	PB	BK	R	BU				

XX= 02 ~ 09Pos

G0 = Gold Flash	PB = PBT +30% GF	BK = Black	N =NO ROHS conform	BU = Bulk Ware
T0 = Tin plated		RD = Red	R =ROHS conform	
GA = 3µ Gold Plating		YE = Yellow		
GB = 5µ Gold Plating				
GC = 10µ Gold Plating				
GD = 30µ Gold Plating				
S0 = Selectiv Plating Gold Flash / Tin				
SD = Selectiv Tin/ 5µGold				
SD = Selectiv Tin/ 10µ Gold Flash				
SD = Selectiv Tin/ 20µ Gold	SD = Selectiv Tin/ 30µ Gold			

Jumper Pitch 2,54mm
Part No.: T37A002
Customer:

DRW:	Jason	CHKD	Wilson	MATL:	Wilson	TOLERANCE	Mason	DATE	10.04.2009
APPD:	Schumi			FINISH	Jamy		Sheet No.		3 from 4