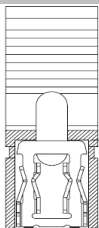


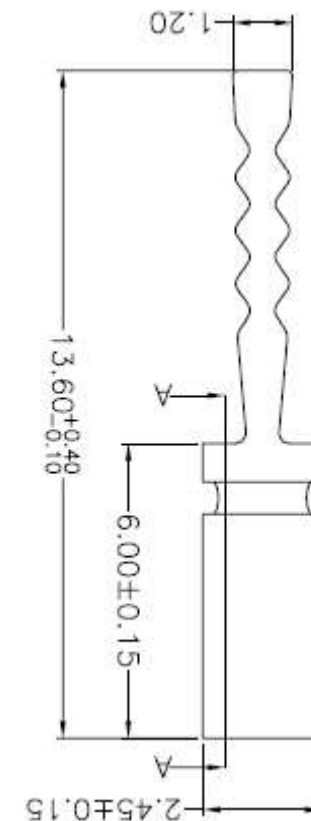
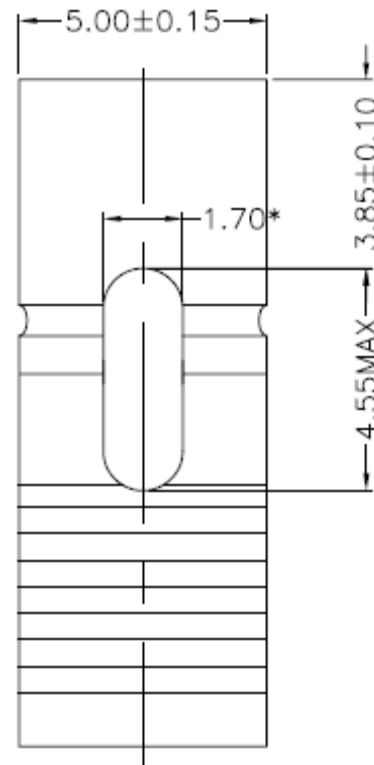
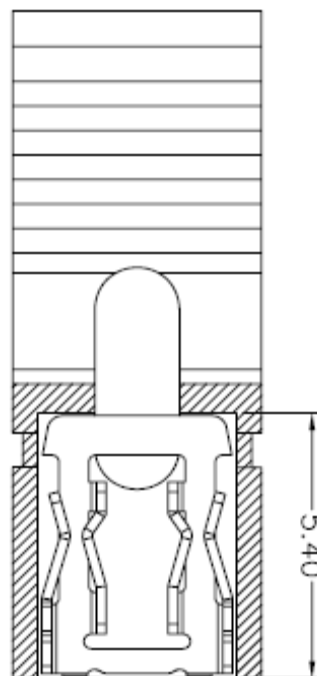
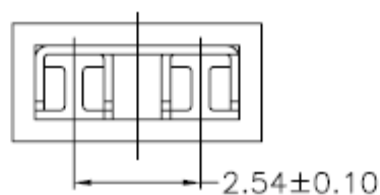
EDCON-COMPONENTS



Specifications

Current Rating:	3,0A
Insulation Resistance:	1000M Ohm min.
Contact Resistance:	20milli Ohm max.
Dielectric Voltage:	100V AC for one minute
Operating Temperature:	. -40°C ~ to +105°C
Insulator Material:	PBT+30% G.F.(UL94V-0)
Contact Pin:	Brass
Contact Plating:	Gold or Sn over Ni.

Drawing



Jumper Pitch 2,54mm

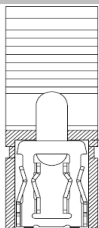
Part No.: **T37A001**

DRW:	Jason	CHKD	Wilson	MATL:	Wilson	TOLERANCE	Mason	DATE	10.04.2009
APPD:	Schumi			FINISH	Jamy		Sheet No.	1 from 4	Customer:

www.edcon-components.com

email: info@edcon-components.com

EDCON-COMPONENTS



Ordering Informations

Serie	No. of Pos.	Contact Plating	Material	Color of Body	ROHS	Packing				
T37A001	02	G0	PB	BK	R	BU				

G0 = Gold Flash	PB = PBT +30% GF	BK = Black	N =NO ROHS conform	BU = Bulk Ware
T0 = Tin plated		RD = Red	R =ROHS conform	
GA = 3μ Gold Plating		YE = Yellow		
GB = 5μ Gold Plating				
GC = 10μ Gold Plating				
GD = 30μ Gold Plating				
S0 = Selectiv Plating Gold Flash / Tin				
SD = Selectiv Tin/ 5μGold				
SD = Selectiv Tin/ 10μ Gold Flash				
SD = Selectiv Tin/ 20μ Gold	SD = Selectiv Tin/ 30μ Gold			

Jumper Pitch 2,54mm

Part No.: **T37A001**

DRW:	Jason	CHKD	Wilson	MATL:	Wilson	TOLERANCE	Mason	DATE	10.04.2009
APPD:	Schumi			FINISH	Jamy		Sheet No.		3 from 4

Customer:
email: info@edcon-components.com