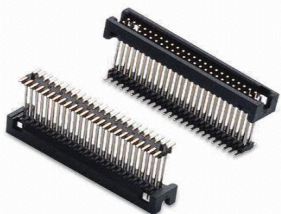


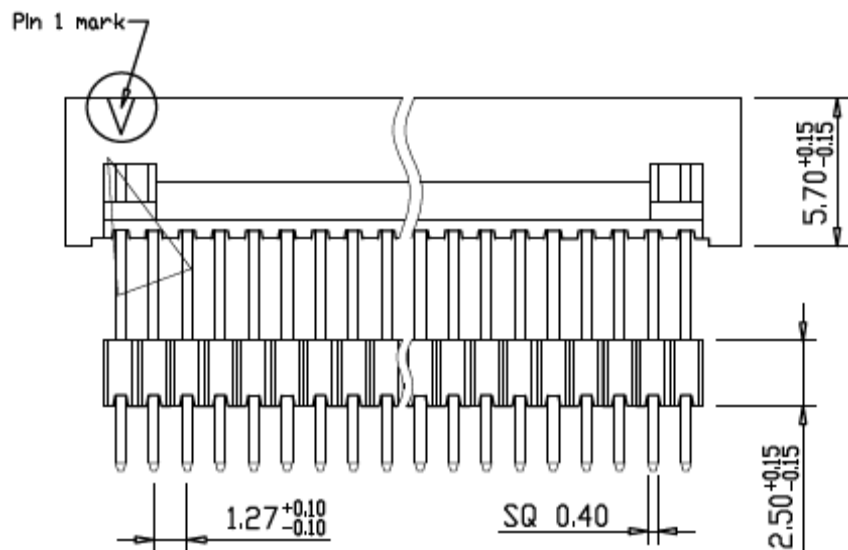
# EDCON-COMPONENTS



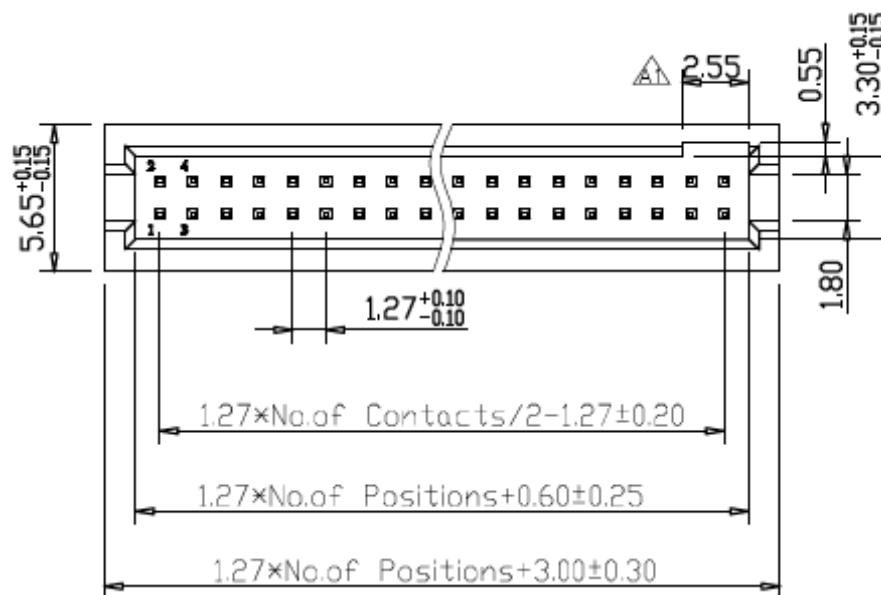
## Specifications

Current Rating: 1,0A  
 Insulation Resistance: 1000M Ohm min.  
 Contact Resistance: 20milli Ohm max.  
 Dielectric Voltage: 500V AC for one minute  
 Operating Temperature: -40°C ~ to +105°C  
 Insulator Material: PA6T+30% G.F.(UL94V-0)

Contact Pin: Brass  
 Contact Plating: Gold Flash all over



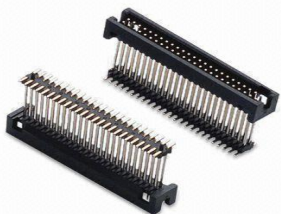
## Drawing



<b>Box Header Pitch</b>	
<b>1,27x1,27mm</b>	
Part No.:	<b>T16C014-</b>
Customer:	

DRW:	Jason	CHKD	Wilson	MATL:	Wilson	TOLERANCE	Mason	DATE	26.08.2017
APPD:	Schumi			FINISH	Jamy		Sheet No.	1 from 4	

# EDCON-COMPONENTS



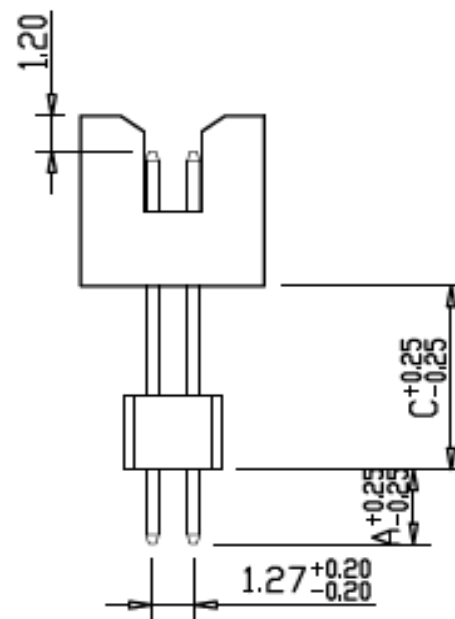
Pin Code length table free configuration

Drawing

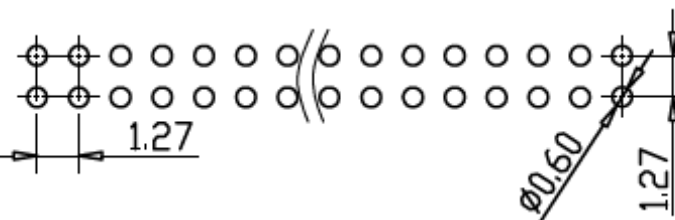
Dimension A	
Order code	mm
A01	3,00
A02	xxx
A03	
A04	
A05	
A06	
A07	
A08	
A09	
A10	
A11	
A12	
A13	
A14	
A15	
A16	
A17	
A18	
A19	
A20	
A21	
A22	

Dimension C	
Order code	mm
C01	5,00
C02	6,00
C03	7,00
C04	8,00
C05	xxx
C06	
C07	
C08	
C09	
C10	
C11	
C12	
C13	
C14	
C15	
C16	
C17	
C18	
C19	
C20	
C21	
C22	
C23	
C24	
C25	

Dimension C	
Order code	mm
C26	
C27	
C28	
C29	
C30	
C31	
C32	
C33	
C34	
C35	
C36	
C37	
C38	
C39	
C40	
C41	
C42	
C43	
C44	
C45	
C46	
C47	
C48	
C49	
C50	



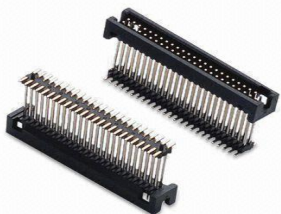
PCB Layout



<b>Box Header Pitch</b>	
<b>1,27x1,27mm</b>	
Part No.:	<b>T16C014-</b>
Customer:	

DRW:	Jason	CHKD	Wilson	MATL:	Wilson	TOLERANCE	Mason	DATE	26.08.2017
APPD:	Schumi			FINISH	Jamy		Sheet No.	2 from 4	

# EDCON-COMPONENTS



## Ordering Informations

Serie	No. of Pos.	Contact Plating	Material	Color of Body	Dimension A	Dimension C	ROHS	Packing		
-------	-------------	-----------------	----------	---------------	-------------	-------------	------	---------	--	--

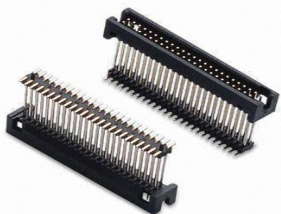
<b>T16C014-</b>	<b>XX</b>	<b>G0</b>	<b>PA</b>	<b>BK</b>	<b>A01</b>	<b>Cxx</b>	<b>R</b>	<b>BU</b>		
-----------------	-----------	-----------	-----------	-----------	------------	------------	----------	-----------	--	--

<b>XX=</b> 06, 08, 10,14,16,20, 24,26,30,32, 34,40,44,50, 60,64,80,100	<b>G0=</b> Gold Flash	<b>PA=</b> PA6T +30% GF f. ROHS	<b>LC=</b> LCP	<b>BK=</b> Black <b>BL=</b> Blue <b>WH=</b> White	<b>Axx =</b> Look Table A <b>Cxx =</b> Look Table C	<b>N=</b> NO ROHS conform <b>R=</b> ROHS conform	<b>BU=</b> Bulk Ware <b>TU=</b> Tube Packing <b>TY=</b> Tray Packing
	<b>T0=</b> Tin plated						
	<b>GA=</b> 3µ Gold Plating						
	<b>GB=</b> 5µ Gold Plating						
	<b>GC=</b> 10µ Gold Plating						
	<b>GD=</b> 30µ Gold Plating						
	<b>S0=</b> Selectiv Plating Gold Flash / Tin						
	<b>SD=</b> Selectiv Tin/ 5µGold						
<b>SD=</b> Selectiv Tin/ 10µ Gold Flash	<b>SD=</b> Selectiv Tin/ 30µ Gold						
<b>SD=</b> Selectiv Tin/ 20µ Gold							

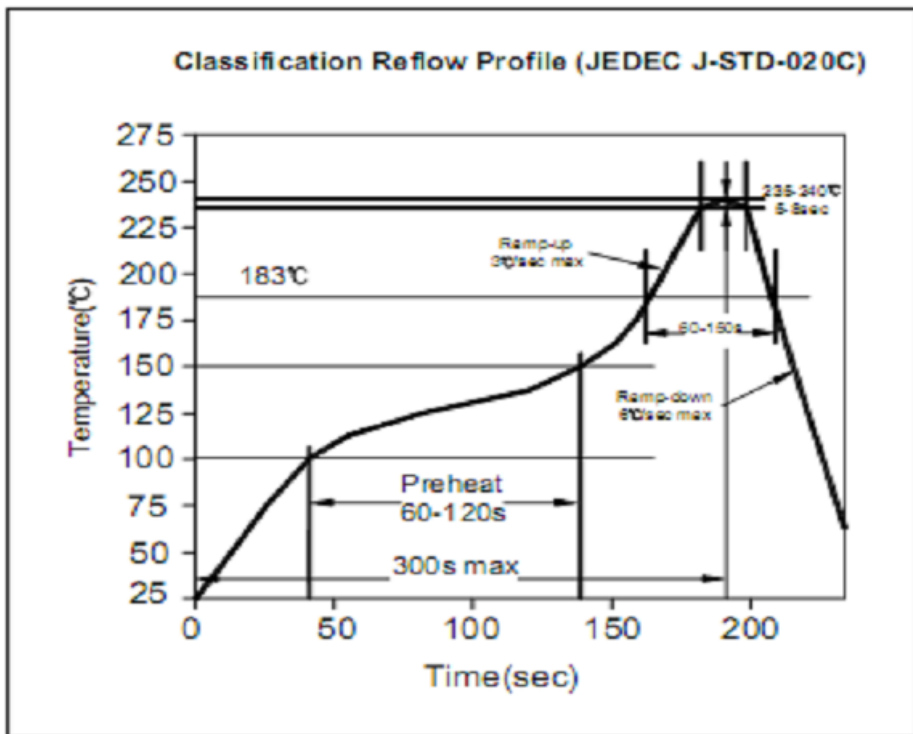
<b>Box Header Pitch 1,27x1,27mm</b>
Part No.: <b>T16C014-</b>
Customer:

DRW:	Jason	CHKD	Wilson	MATL:	Wilson	TOLERANCE	Mason	DATE	26.08.2017
APPD:	Schumi			FINISH	Jamy		Sheet No.		3 from 4

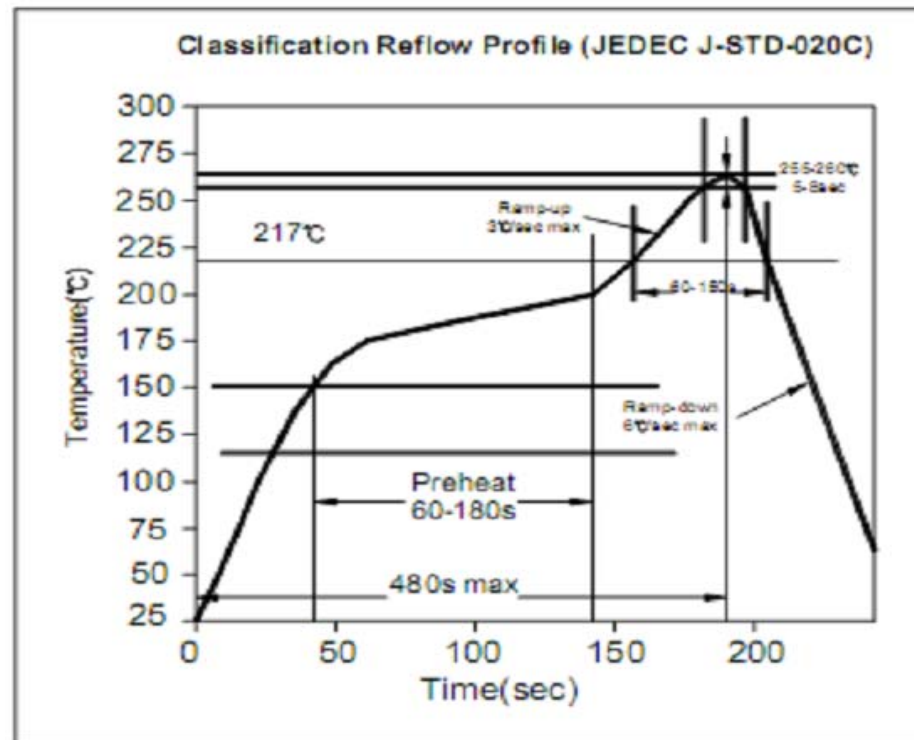
# EDCON-COMPONENTS



## Soldering Profile for Lead Soldering ( P.B.T. )



## Soldering Profile for Lead Free Soldering ( Nylon 6T )



**Box Header Pitch**  
**1,27x1,27mm**  
 Part No.: **T16C014-**

DRW:	Jason	CHKD	Wilson	MATL:	Wilson	TOLERANCE	Mason	DATE	26.08.2017
APPD:	Schumi			FINISH	Jamy		Sheet No.	4 from 4	Customer: