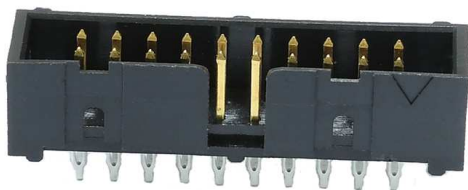


# EDCON-COMPONENTS

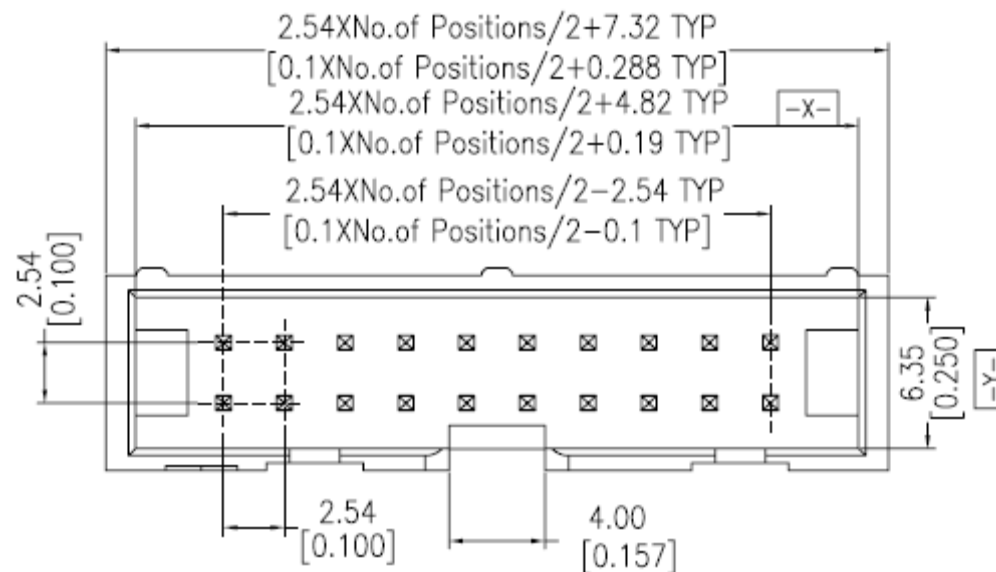


## Specifications

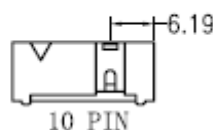
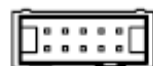
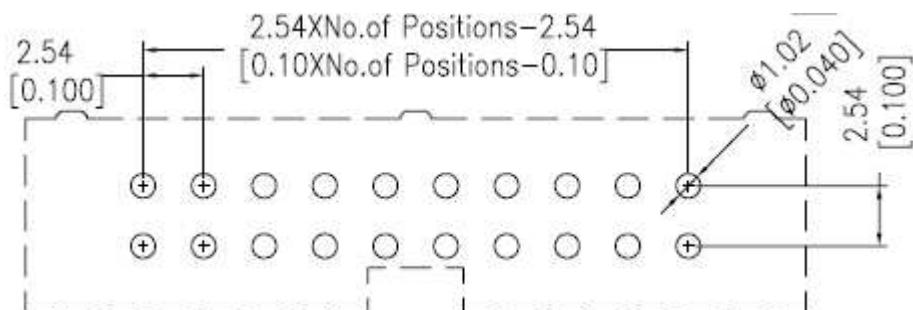
Current Rating: 3,0A  
 Insulation Resistance: 1000M Ohm min.  
 Contact Resistance: 20milli Ohm max.  
 Dielectric Voltage: 500V AC for one minute  
 Operating Temperature: -55°C ~ to +105°C  
 Insulator Material: PBT/PA9T+30% G.F.(UL94V-0)

Contact Pin: Brass  
 Contact Plating: Gold Flash all over

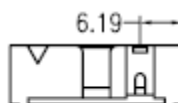
## Drawing



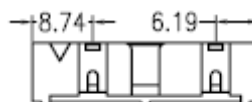
## P.C.B Layout



10 PIN



14 PIN



16-24 PIN



26-64 PIN

Box Header **Press FIT** Type  
 2,54x2,54mm

Part No.: **T16A035-**

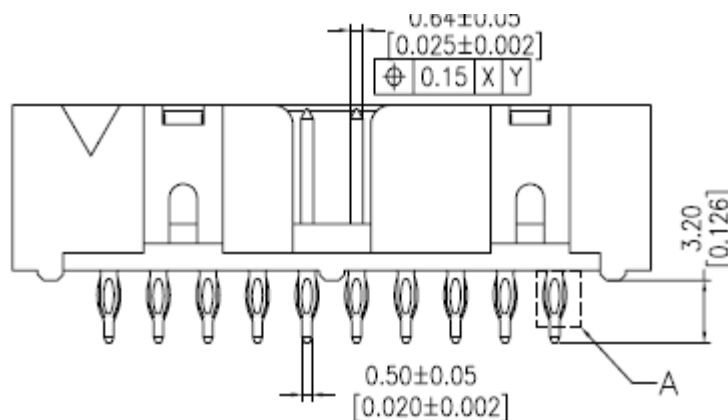
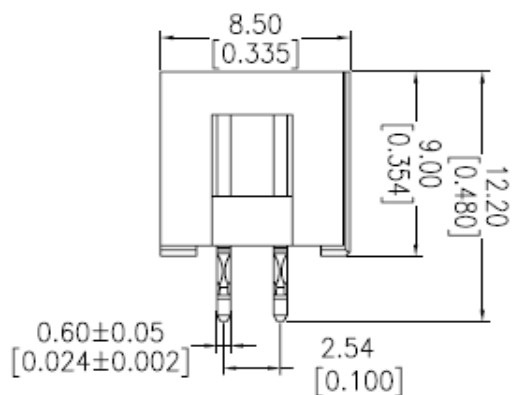
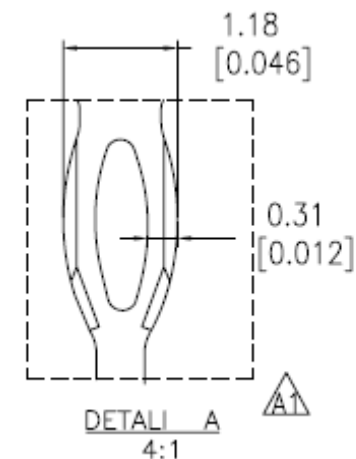
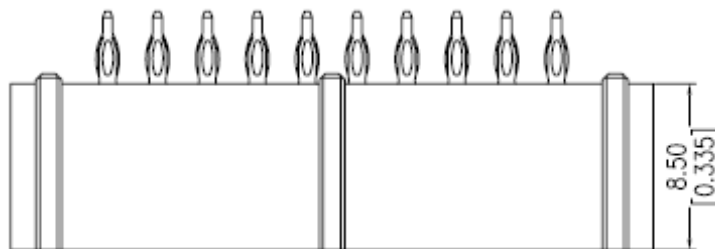
DRW:	Jason	CHKD	Wilson	MATL:	Wilson	TOLERANCE	Mason	DATE	15.04.2016
APPD:	Schumi			FINISH	Jamy		Sheet No.	1 from 3	Customer:

# EDCON-COMPONENTS



## Pin Code length table free configuration

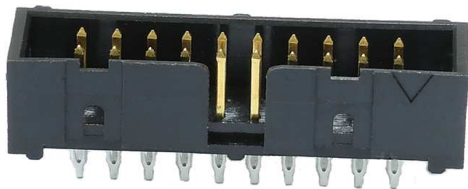
A = Dimension ( mm)				
Code				
A01	3,20			



Box Header Press FIT Type 2,54x2,54mm
Part No.: <b>T16A035-</b>
Customer:

DRW:	Jason	CHKD	Wilson	MATL:	Wilson	TOLERANCE	Mason	DATE	15.04.2016
APPD:	Schumi			FINISH	Jamy		Sheet No.	2 from 3	

# EDCON-COMPONENTS



Serie	No. of Pos.	Contact Plating	Material	Color of Body	Solder Pin length	ROHS	Packing			
-------	-------------	-----------------	----------	---------------	-------------------	------	---------	--	--	--

<b>T16A035-</b>	<b>xx</b>	<b>G0</b>	<b>PB</b>	<b>BK</b>	<b>A01</b>	<b>R</b>	<b>TY</b>			
-----------------	-----------	-----------	-----------	-----------	------------	----------	-----------	--	--	--

<b>XX=</b> 10,14,16,20, 24,26,30,34, 40,50,60,64	<b>G0=</b> Gold Flash	<b>PB=</b> PBT	<b>BK=</b> Black	<b>A01=</b> look table	<b>N=NO</b> ROHS conform	<b>BU=</b> Bulk
	<b>T0=</b> Tin plated	<b>PA=</b> PA9T +30% GF f. ROHS	<b>BL=</b> Blue			<b>TU=</b> Tube
	<b>GA=</b> 3µ Gold Plating		<b>GY=</b> Gray	<b>R=ROHS</b> conform	<b>TY=</b> Tray Packing	
	<b>GB=</b> 5µ Gold Plating					
	<b>GC=</b> 10µ Gold Plating					
	<b>GD=</b> 30µ Gold Plating					
	<b>S0=</b> Selectiv Plating Gold Flash / Tin					
	<b>SD=</b> Selectiv Tin/ 5µGold					
<b>SD=</b> Selectiv Tin/ 10µ Gold Flash						
<b>SD=</b> Selectiv Tin/ 20µ Gold	<b>SD=</b> Selectiv Tin/ 30µ Gold	<b>SD=</b> Selectiv Tin/ 30µ Gold				

Box Header Press FIT Type 2,54x2,54mm
Part No.: <b>T16A035-</b>

DRW:	Jason	CHKD	Wilson	MATL:	Wilson	TOLERANCE	Mason	DATE	15.04.2016	Customer:
APPD:	Schumi			FINISH	Jamy		Sheet No.		3 from 3	