

DATA SHEET

IDC-SMC-Connector Female Type 1

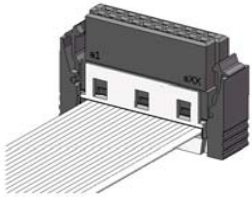
Serie: T15G007

**IDC-SMC-Connector
Female Type 1**

Serie No.: **T15G007**

Customer:

DRW:	Jason	CHKD	Wilson	MATL:	Wilson	TOLERANCE	Mason	DATE	29.08.2018
APPD:	Schumi			FINISH	Jamy		Sheet No.		1 from 5

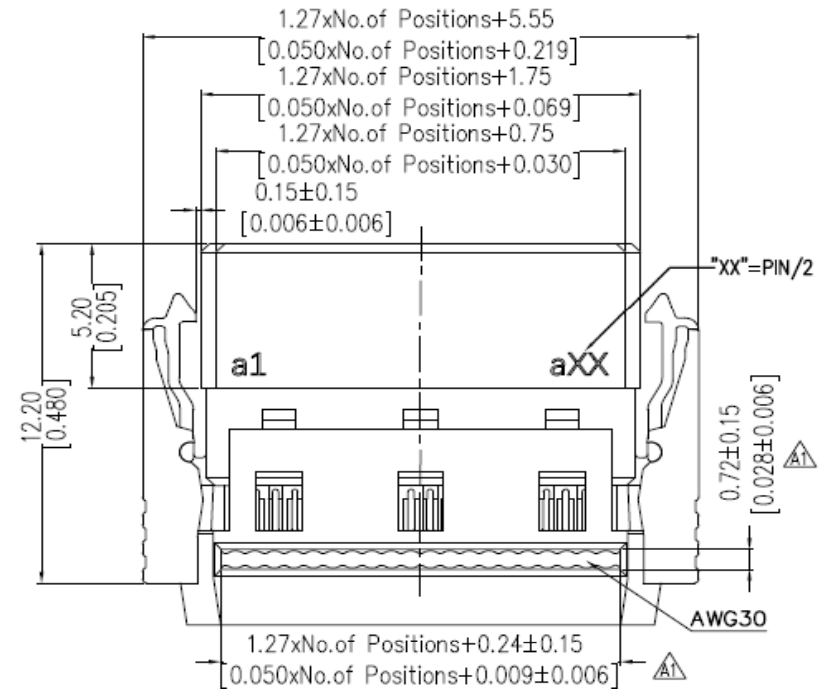
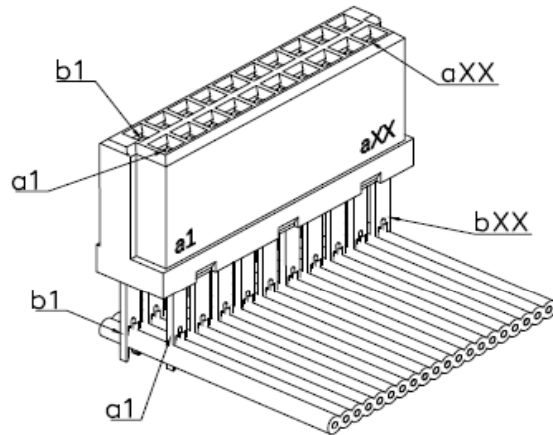


Technical Informations

Rated Current: 0,5A
 Contact Resistance: 25mΩ Max.
 Withstanding Voltage: 500V
 Insulation Resistance: 10000MΩ Min.
 Operating Temperature: -55°C to + 125°C

Contact Material: Phosphor Bronze
 Contact Plating: Sn and Au over Ni
 Tail Material: Phosphor Bronze
 Tail Plating: Sn over Ni
 Main Body Material: LCP

Technical Dimensions (mm)



Tolerances unless otherwise specified (mm)

X	X.X	X.XX	X.XXX	Angle
±	±	±	±	±3°

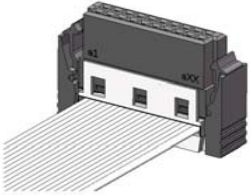
IDC-SMC-Connector Female Type 1

Part No.: **T15G007**

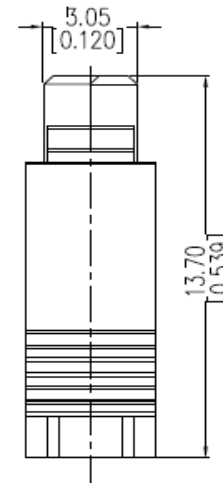
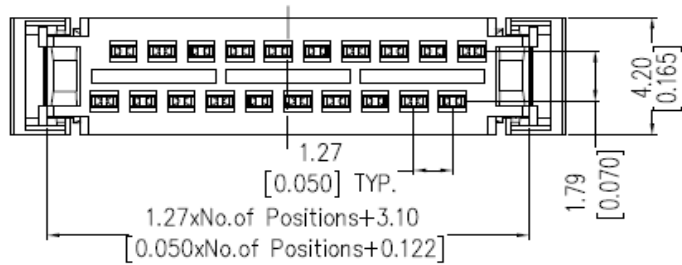
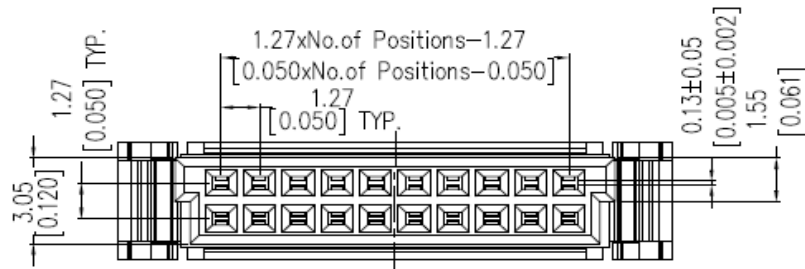
Customer:

DRW:	Jason	CHKD	Wilson	MATL:	Wilson	TOLERANCE	Mason	DATE	29.08.2018
APPD:	Schumi			FINISH	Jamy		Sheet No.		2 from 5

EDCON-COMPONENTS



Technical Dimension (mm)



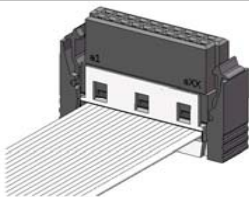
IDC-SMC-Connector Female Type 1

Part No.: **T15G007**

Customer:

DRW:	Jason	CHKD	Wilson	MATL:	Wilson	TOLERANCE	Mason	DATE	29.08.2018
APPD:	Schumi			FINISH	Jamy		Sheet No.	3 from 5	

EDCON-COMPONENTS



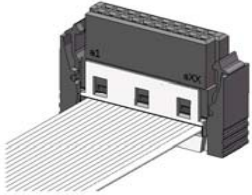
Ordering Informations

Serie	No of Pin	Special function	Contact Type	Contact Plating	Special function	Special function	Special function	ROHS	Packing Code
T15G007	010	N	F	S0	N	N	N	R	TY

010= 10Pos.		F= Female	S0= Selectiv Gold flash	N= No function	N= No function	N= No function	R= ROHS Conform	
xxx= like Pos. table			S1= Selectiv 3μ AU / Tin				N= NON ROHS Conform	
			S2= Selectiv 5μ AU / Tin					
			S3= Selectiv 10μ AU / Tin					
			S4= Selectiv 15μ AU / Tin					
			S5= Selectiv 30μ AU / Tin					
								TY= TRAY Packing

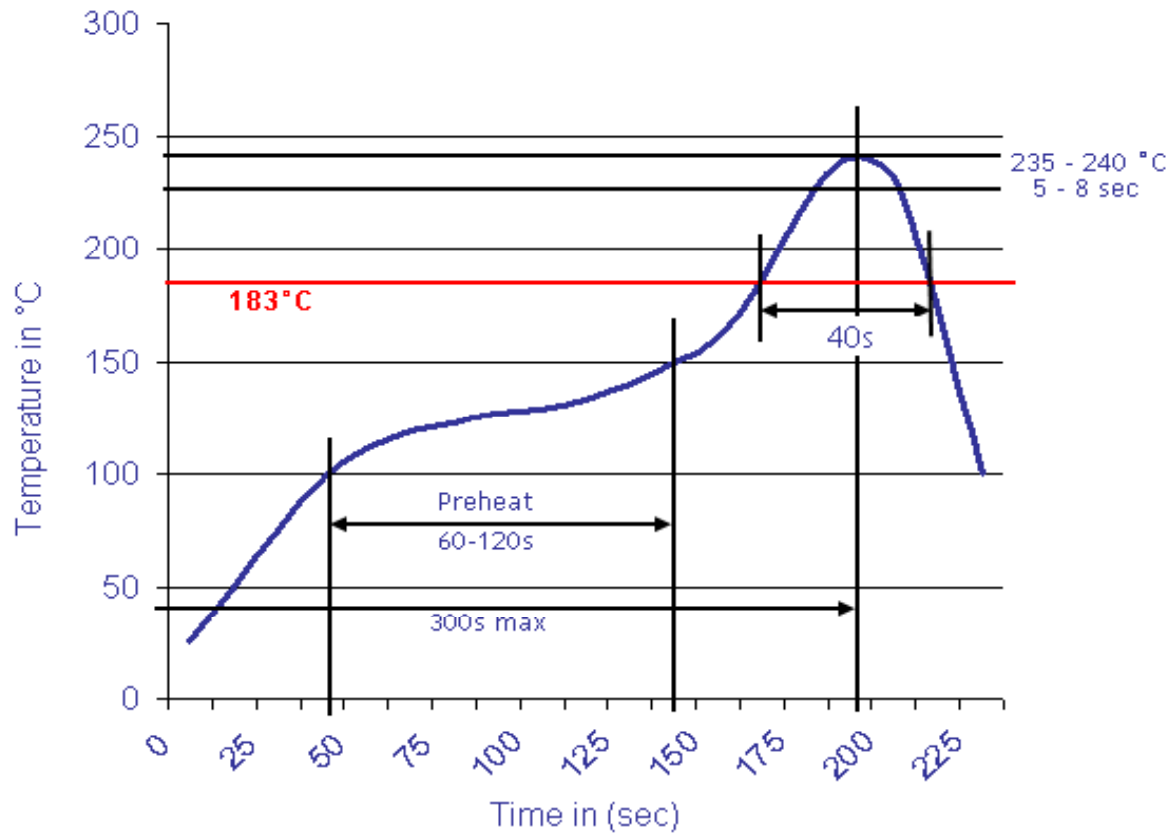
IDC-SMC-Connector Female Type 1	
Part No.:	T15G007
Customer:	

DRW:	Jason	CHKD	Wilson	MATL:	Wilson	TOLERANCE	Mason	DATE	29.08.2018
APPD:	Schumi			FINISH	Jamy		Sheet No.		4 from 5



Soldering Profile Curve

Classification Reflow Profile (JEDEC J-STD-020C)



IDC-SMC-Connector Female Type 1	
Part No.:	T15G007
Customer:	

DRW:	Jason	CHKD	Wilson	MATL:	Wilson	TOLERANCE	Mason	DATE	29.08.2018
APPD:	Schumi			FINISH	Jamy		Sheet No.		5 from 5