



# DATA SHEET

## SMC-Connector Female B Type H= 6,2mm

### Serie: T15G006

**SMC-Connector Female  
B Type H= 6,2mm**

Serie No.: **T15G006**

Customer:

DRW:	Jason	CHKD	Wilson	MATL:	Wilson	TOLERANCE	Mason	DATE	29.08.2018
APPD:	Schumi			FINISH	Jamy		Sheet No.		1 from 5

# EDCON-COMPONENTS

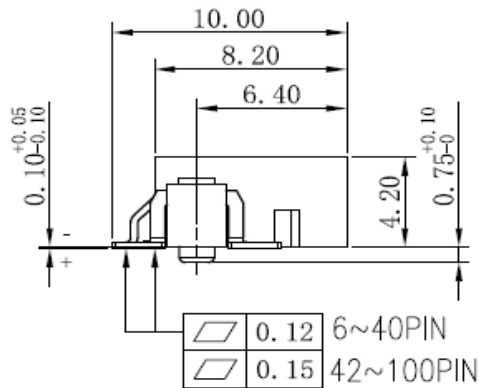
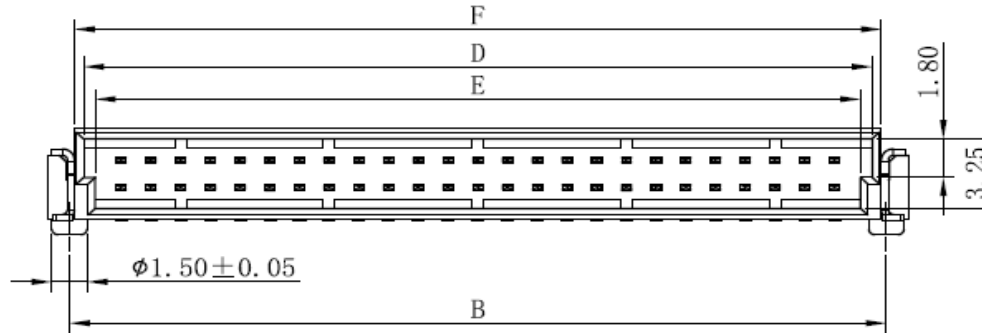


## Technical Informations

Rated Current: 0,5A  
 Contact Resistance: 25mΩ Max.  
 Withstanding Voltage: 500V  
 Insulation Resistance: 10000MΩ Min.  
 Operating Temperature: -55°C to + 125°C

Contact Material: Phosphor Bronze  
 Contact Plating: Sn and Au over Ni  
 Tail Material: Phosphor Bronze  
 Tail Plating: Sn over Ni  
 Main Body Material: LCP

## Technical Dimensions (mm)



Pin	A	B	C	D	E	F
10	5,08	9,50	11,40	8,30	7,30	9,08
20	11,43	15,85	17,75	14,65	13,65	15,43
30	17,78	22,20	24,10	21,00	20,00	21,78
40	24,13	28,55	30,45	27,35	26,35	28,13
50	30,48	34,90	36,80	33,70	32,70	34,48
60	36,83	41,25	43,15	40,05	39,05	40,83
70	43,18	47,60	49,50	46,40	45,40	47,18
80	49,53	53,95	55,85	52,75	51,75	53,53
90	55,88	60,30	62,20	59,10	58,10	59,88
100	62,23	66,65	68,55	65,45	64,45	66,23

Tolerances unless otherwise specified (mm)

X	X.X	X.XX	X.XXX	Angle
±	±	±	±	±3°

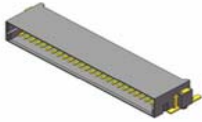
**SMC-Connector Female  
B Type H= 6,2mm**

Part No.: **T15G006**

Customer:

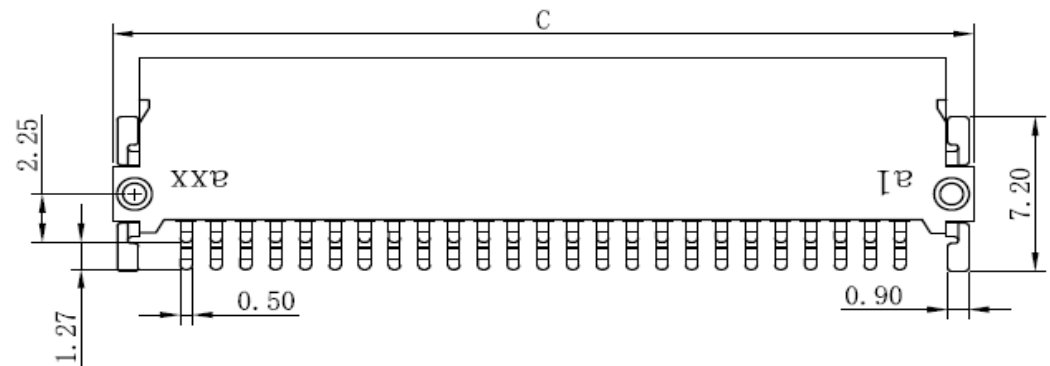
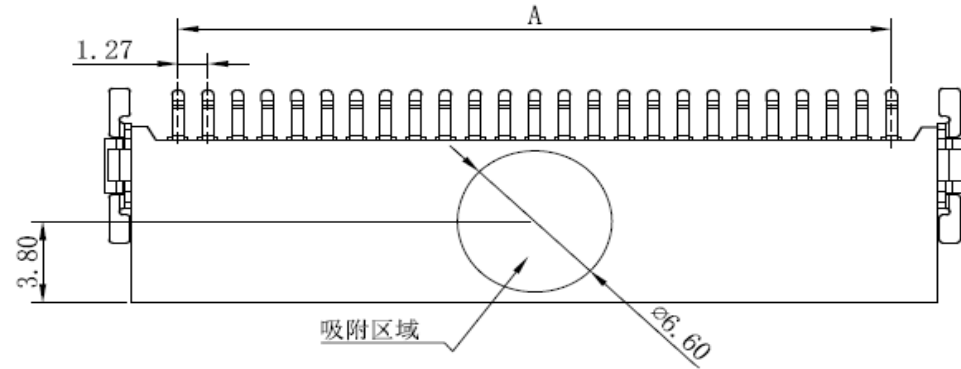
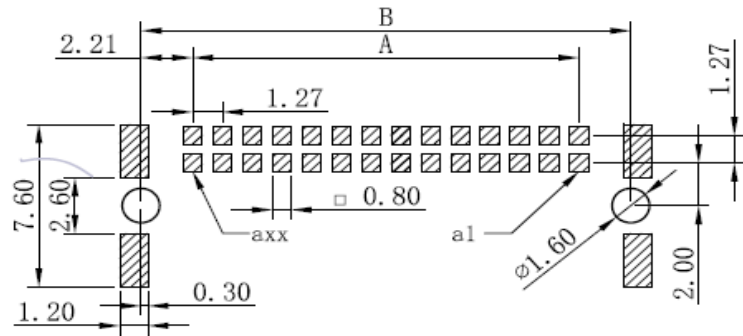
DRW:	Jason	CHKD	Wilson	MATL:	Wilson	TOLERANCE	Mason	DATE	29.08.2018
APPD:	Schumi			FINISH	Jamy		Sheet No.		2 from 5

# EDCON-COMPONENTS



PCB Layout (Top-Side) Tol. ± 0,05mm

Technical Dimension (mm)



<b>SMC-Connector Female B Type H= 6,2mm</b>	
Part No.:	<b>T15G006</b>
Customer:	

DRW:	Jason	CHKD	Wilson	MATL:	Wilson	TOLERANCE	Mason	DATE	29.08.2018
APPD:	Schumi			FINISH	Jamy		Sheet No.		3 from 5

# EDCON-COMPONENTS



## Ordering Informations

Serie	No of Pin	Height (mm)	Contact Type	Contact Plating	Special function	Special function	Special function	ROHS	Packing Code
<b>T15G006</b>	<b>010</b>	<b>820</b>	<b>M</b>	<b>S0</b>	<b>N</b>	<b>N</b>	<b>N</b>	<b>R</b>	<b>TR</b>

<b>010=</b> 10Pos.	<b>820=</b> 8,2mm	<b>M=</b> Male	<b>S0=</b> Selectiv Gold flash	<b>N=</b> No function	<b>N=</b> No function	<b>N=</b> No function	<b>R=</b> ROHS Conform	<b>TC=</b> TUBE Packing w. PIC and Place CAP
<b>xxx=</b> like Pos. table			<b>S1=</b> Selectiv 3μ AU / Tin				<b>N=</b> NON ROHS Conform	
			<b>S2=</b> Selectiv 5μ AU / Tin					<b>TR=</b> Tape Reel Packing w. Pic and Place Cap
			<b>S3=</b> Selectiv 10μ AU / Tin					
			<b>S4=</b> Selectiv 15μ AU / Tin					
			<b>S5=</b> Selectiv 30μ AU / Tin					

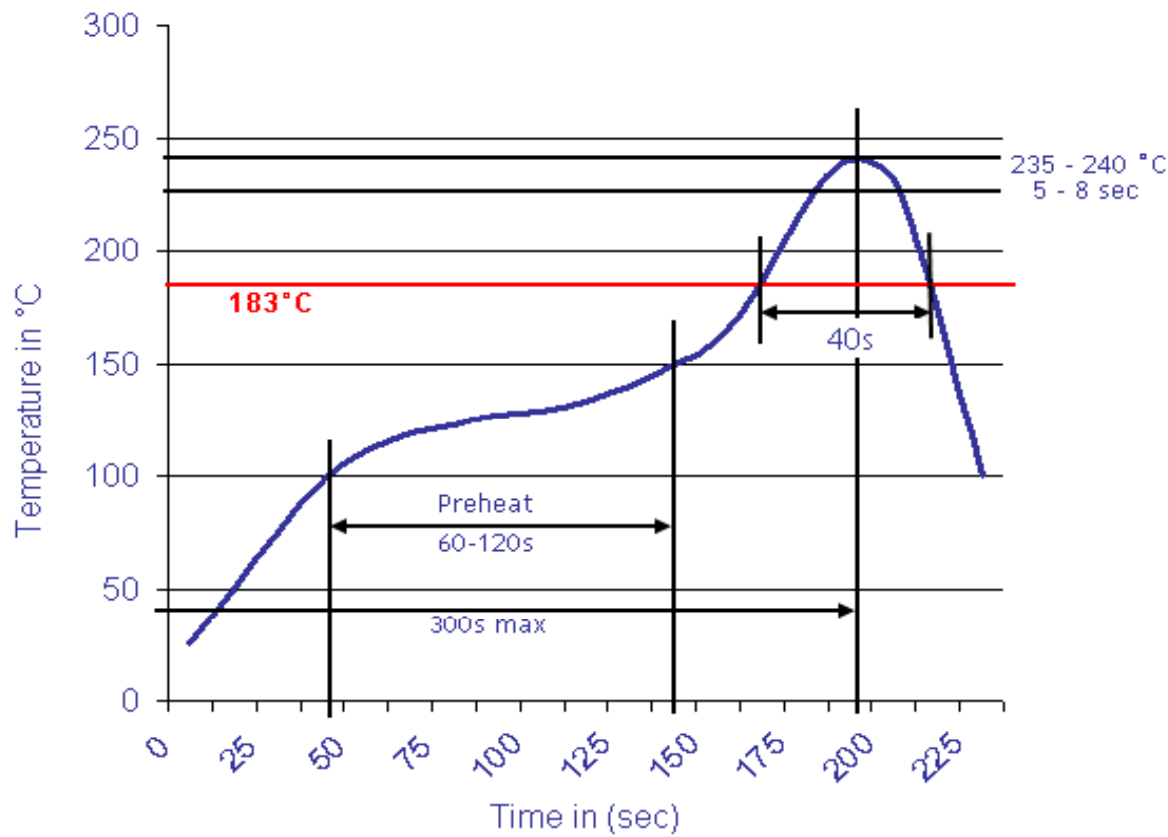
<b>SMC-Connector Female B Type H= 6,2mm</b>	
Part No.:	<b>T15G006</b>
Customer:	

DRW:	Jason	CHKD	Wilson	MATL:	Wilson	TOLERANCE	Mason	DATE	29.08.2018
APPD:	Schumi			FINISH	Jamy		Sheet No.		4 from 5



Soldering Profile Curve

Classification Reflow Profile (JEDEC J-STD-020C)



<b>SMC-Connector Female B Type H= 6,2mm</b>	
Part No.:	<b>T15G006</b>
Customer:	

DRW:	Jason	CHKD	Wilson	MATL:	Wilson	TOLERANCE	Mason	DATE	29.08.2018
APPD:	Schumi			FINISH	Jamy		Sheet No.		5 from 5