

DATA SHEET

SMC-Connector Female B Type H= 6,2mm

Serie: T15G005

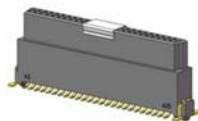
**SMC-Connector Female
B Type H= 6,2mm**

Serie No.: **T15G005**

Customer:

DRW:	Jason	CHKD	Wilson	MATL:	Wilson	TOLERANCE	Mason	DATE	13.11.2020
APPD:	Schumi			FINISH	Jamy		Sheet No.		1 from 5

EDCON-COMPONENTS

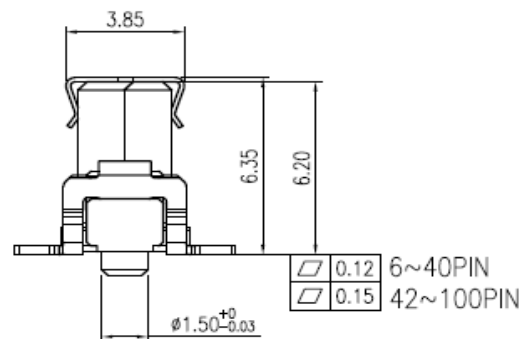
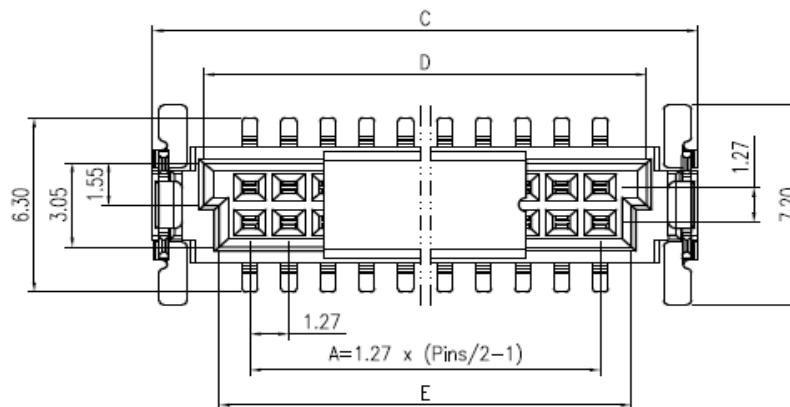


Technical Informations

Rated Current: 0,5A
 Contact Resistance: 25mΩ Max.
 Withstanding Voltage: 500V
 Insulation Resistance: 10000MΩ Min.
 Operating Temperature: -55°C to + 125°C

Contact Material: Phosphor Bronze
 Contact Plating: Sn and Au over Ni
 Tail Material: Phosphor Bronze
 Tail Plating: Sn over Ni
 Main Body Material: LCP

Technical Dimensions (mm)



	C	E	A	D	B	
Pin	A	B	C	D	E	
10	5,08	9,50	11,43	8,10	7,10	
12	6,35	10,77	12,70	9,37	8,37	
16	8,89	13,31	15,24	11,91	10,91	
20	11,43	15,85	17,78	14,45	13,45	
24	13,97	18,39	20,32	16,99	15,99	
26	15,24	19,66	21,59	18,26	17,26	
30	17,78	22,20	24,13	20,80	19,80	
32	19,05	23,47	25,40	22,07	21,07	
40	24,13	28,55	30,48	27,15	26,15	
50	30,48	34,90	36,83	33,50	32,50	
60	36,83	41,25	43,18	39,85	38,85	
68	41,91	46,33	48,26	44,93	43,93	
70	43,18	47,60	49,53	46,20	45,20	
80	49,53	53,95	55,88	52,55	51,55	
90	55,88	60,30	62,23	58,90	57,90	
100	62,23	66,65	68,58	65,25	64,25	

Tolerances unless otherwise specified (mm)

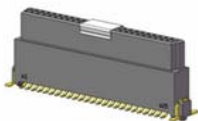
X	X.X	X.XX	X.XXX	Angle
±	±	±	±	±3°
DRW:	Jason	CHKD	Wilson	MATL:
APPD:	Schumi			FINISH
Wilson	TOLERANCE	Mason	DATE	13.11.2020
Jamy		Sheet No.		2 from 5

SMC-Connector Female B Type H= 6,2mm

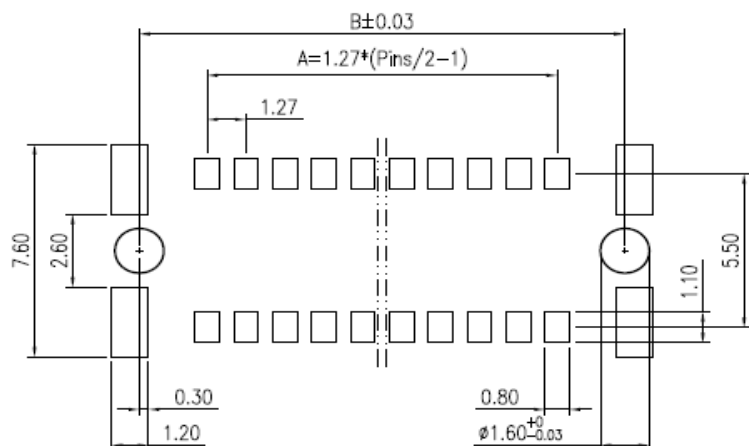
Part No.: **T15G005**

Customer:

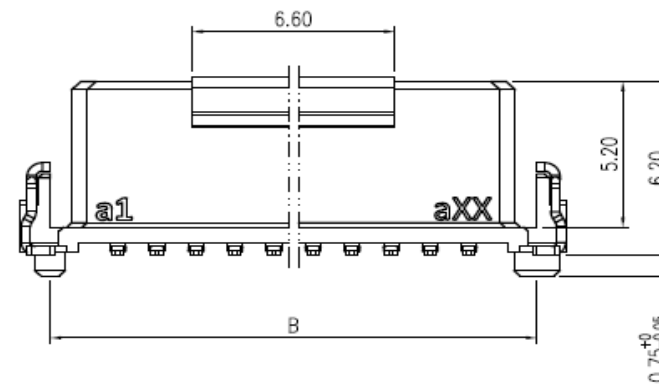
EDCON-COMPONENTS



PCB Layout (Top-Side) Tol. ± 0,05mm



Technical Dimension (mm)



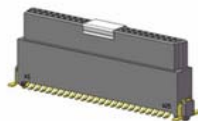
**SMC-Connector Female
B Type H= 6,2mm**

Part No.: **T15G005**

DRW:	Jason	CHKD	Wilson	MATL:	Wilson	TOLERANCE	Mason	DATE	13.11.2020
APPD:	Schumi			FINISH	Jamy		Sheet No.	3 from 5	

Customer:

EDCON-COMPONENTS



Ordering Informations

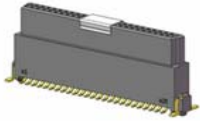
Serie	No of Pin	Height (mm)	Contact Type	Contact Plating	Special function	Special function	Special function	ROHS	Packing Code	
T15G005	010	620	F	S0	N	N	N	R	TR	
	010= 10Pos.	620= 6,2mm	F= Female	S0= Selectiv Gold flash	N= No function	N= No function	N= No function	R= ROHS Conform	TC= TUBE Packing w. PIC and Place CAP	
	xxx= like Pos. table			S1= Selectiv 3μ AU / Tin				N= NON ROHS Conform		
				S2= Selectiv 5μ AU / Tin					TR= Tape Reel Packing w. Pic and Place Cap	
				S3= Selectiv 10μ AU / Tin						
				S4= Selectiv 15μ AU / Tin						
				S5= Selectiv 30μ AU / Tin						

**SMC-Connector Female
B Type H= 6,2mm**

Part No.: **T15G005**

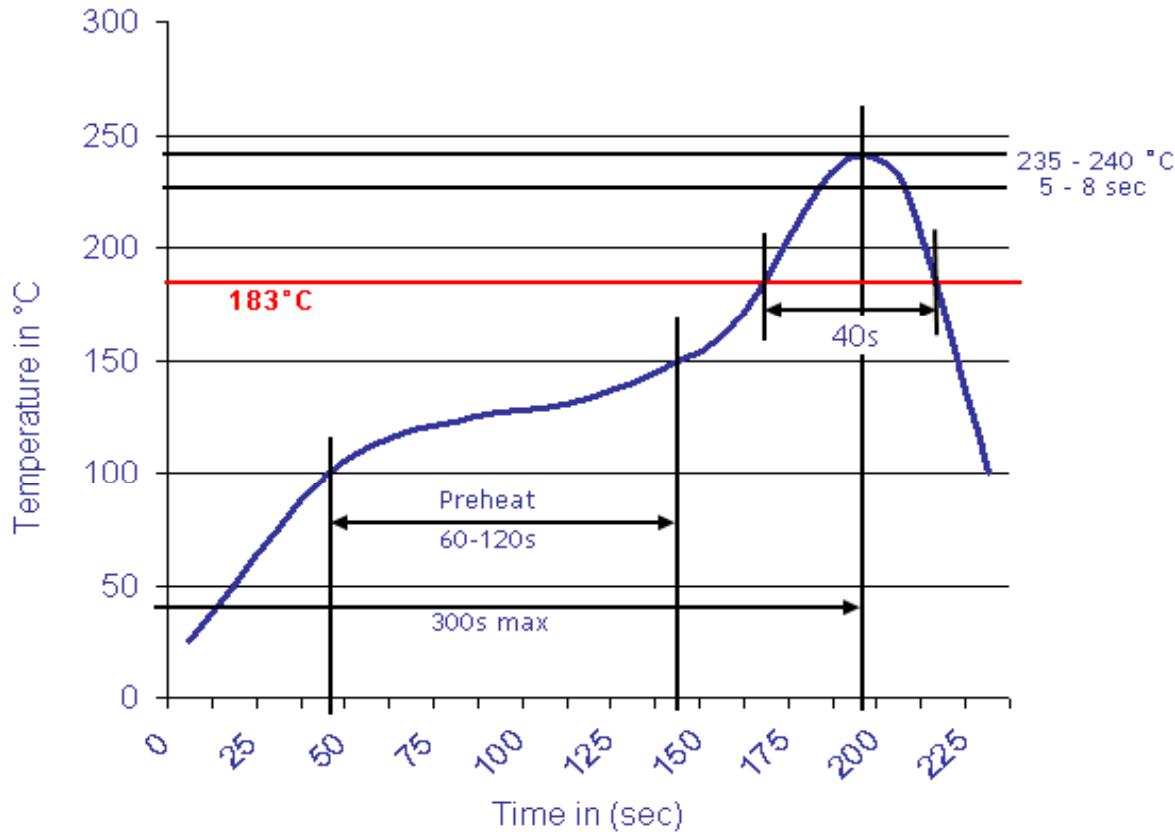
DRW:	Jason	CHKD	Wilson	MATL:	Wilson	TOLERANCE	Mason	DATE	13.11.2020	Customer:
------	-------	------	--------	-------	--------	-----------	-------	------	------------	-----------

Copyright by S.Tiede
EDCON-COMPONENTS



Soldering Profile Curve

Classification Reflow Profile (JEDEC J-STD-020C)



**SMC-Connector Female
 B Type H= 6,2mm**

Part No.: **T15G005**

APPD:	Schumi		FINISH	Jamy		Sheet No.	5 from 5	Customer:
-------	--------	--	--------	------	--	-----------	----------	-----------

www.edcon-components.com

email: info@edcon-components.com

Copyright by S.Tiede