



DATA SHEET

SMC-Connector Male Q Type H= 6,7mm

Serie: T15G004

SMC-Connector Male		Q
Type H= 6,7mm		
Serie No.:	T15G004	
Customer:		

DRW:	Jason	CHKD	Wilson	MATL:	Wilson	TOLERANCE	Mason	DATE	29.08.2018
APPD:	Schumi			FINISH	Jamy		Sheet No.		1 from 5

EDCON-COMPONENTS

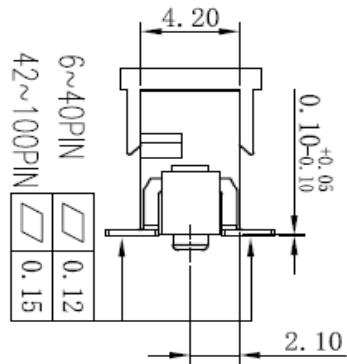
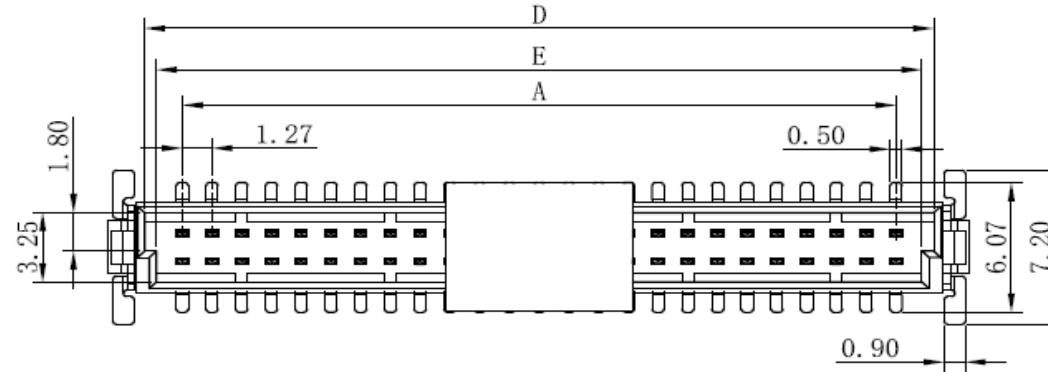


Technical Informations

Rated Current: 0,5A
 Contact Resistance: 25mΩ Max.
 Withstanding Voltage: 500V
 Insulation Resistance: 10000MΩ Min.
 Operating Temperature: -55°C to + 125°C

Contact Material: Phosphor Bronze
 Contact Plating: Sn and Au over Ni
 Tail Material: Phosphor Bronze
 Tail Plating: Sn over Ni
 Main Body Material: LCP

Technical Dimensions (mm)



Pin	A	B	C	D	E	F
10	5,08	9,50	11,40	8,30	7,30	9,08
20	11,43	15,85	17,75	14,65	13,65	15,43
30	17,78	22,20	24,10	21,00	20,00	21,78
40	24,13	28,55	30,45	27,35	26,35	28,13
50	30,48	34,90	36,80	33,70	32,70	34,48
60	36,83	41,25	43,15	40,05	39,05	40,83
70	43,18	47,60	49,50	46,40	45,40	47,18
80	49,53	53,95	55,85	52,75	51,75	53,53
90	55,88	60,30	62,20	59,10	58,10	59,88
100	62,23	66,65	68,55	65,45	64,45	66,23

Tolerances unless otherwise specified (mm)				
X	X.X	X.XX	X.XXX	Angle
±	±	±	±	±3°
DRW:	Jason	CHKD	Wilson	MATL:
APPD:	Schumi			FINISH
				DATE
				Sheet No.

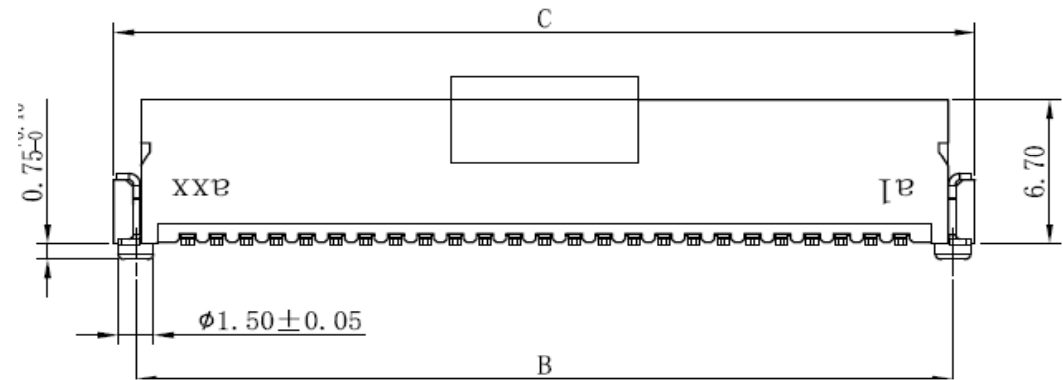
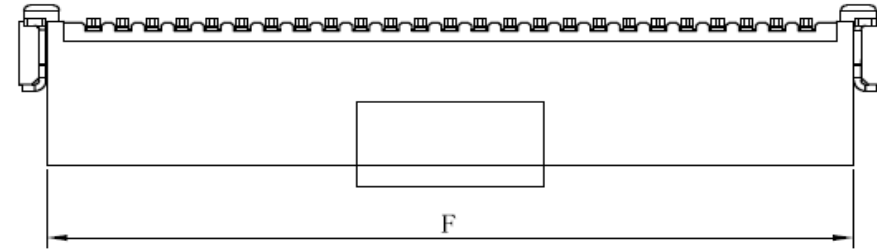
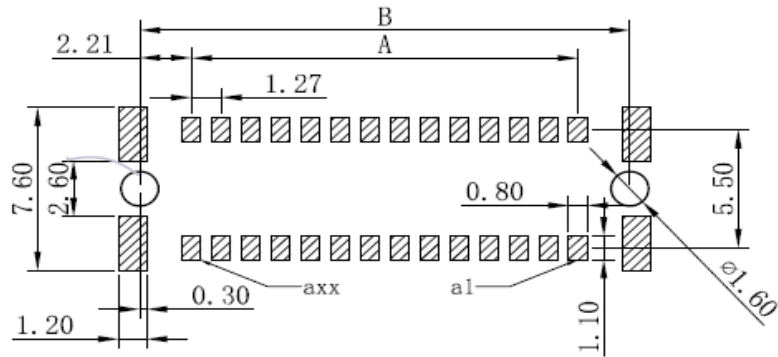
SMC-Connector Male Q	
Type H= 6,7mm	
Part No.:	T15G004
Customer:	

DRW:	Jason	CHKD	Wilson	MATL:
APPD:	Schumi			FINISH



PCB Layout (Top-Side) Tol. ± 0,05mm

Technical Dimension (mm)



SMC-Connector Male Q
Type H= 6,7mm

Part No.: **T15G004**

Customer:

DRW:	Jason	CHKD	Wilson	MATL:	Wilson	TOLERANCE	Mason	DATE	29.08.2018
APPD:	Schumi			FINISH	Jamy		Sheet No.		3 from 5

EDCON-COMPONENTS



Ordering Informations

Serie	No of Pin	Height (mm)	Contact Type	Contact Plating	Special function	Special function	Special function	ROHS	Packing Code
T15G004	010	670	M	S0	N	N	N	R	TR

010= 10Pos.	670= 6,7mm	M= Male	S0= Selectiv Gold flash	N= No function	N= No function	N= No function	R= ROHS Conform	TC= TUBE Packing w. PIC and Place CAP
xxx= like Pos. table			S1= Selectiv 3μ AU / Tin				N= NON ROHS Conform	
			S2= Selectiv 5μ AU / Tin					TR= Tape Reel Packing w. Pic and Place Cap
			S3= Selectiv 10μ AU / Tin					
			S4= Selectiv 15μ AU / Tin					
			S5= Selectiv 30μ AU / Tin					

SMC-Connector Male Q
Type H= 6,7mm

Part No.: **T15G004**

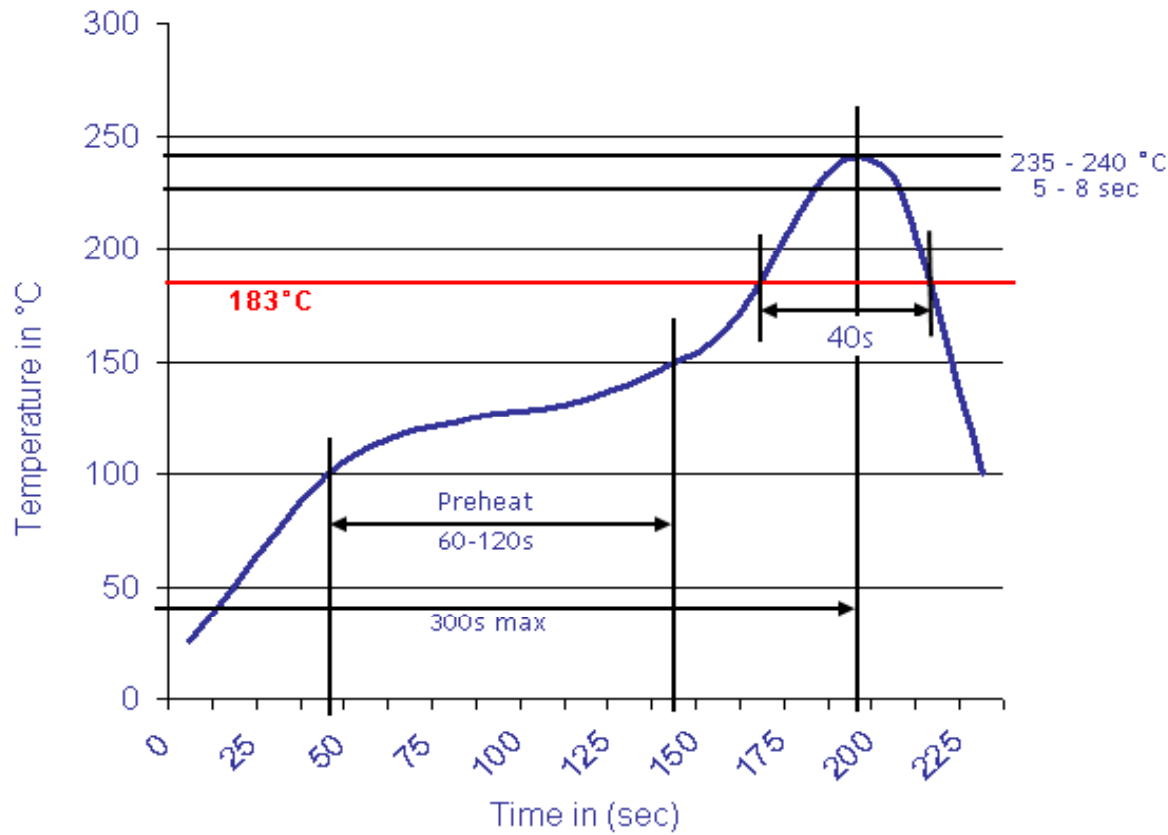
DRW:	Jason	CHKD	Wilson	MATL:	Wilson	TOLERANCE	Mason	DATE	29.08.2018
APPD:	Schumi			FINISH	Jamy		Sheet No.		4 from 5

Customer:



Soldering Profile Curve

Classification Reflow Profile (JEDEC J-STD-020C)



SMC-Connector Male		Q
Type H= 6,7mm		
Part No.:	T15G004	
Customer:		

DRW:	Jason	CHKD	Wilson	MATL:	Wilson	TOLERANCE	Mason	DATE	29.08.2018
APPD:	Schumi			FINISH	Jamy		Sheet No.	5 from 5	