

DATA SHEET

SMC-Connector Female B Type H= 13,6mm

Serie: T15G001

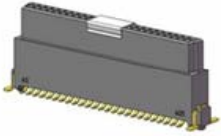
**SMC-Connector Female B
Type H= 13,6mm**

Serie No.: **T15G001**

Customer:

DRW:	Jason	CHKD	Wilson	MATL:	Wilson	TOLERANCE	Mason	DATE	29.08.2018
APPD:	Schumi			FINISH	Jamy		Sheet No.		1 from 5

EDCON-COMPONENTS

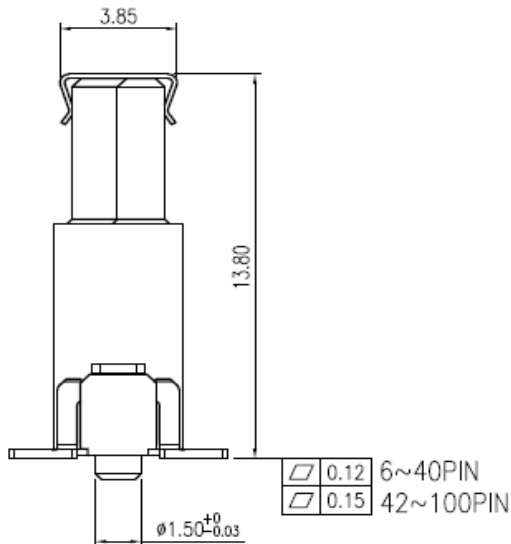
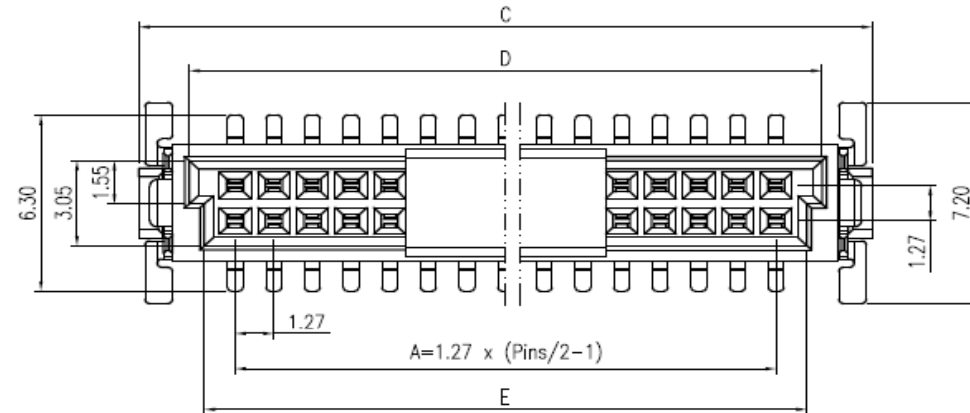


Technical Informations

Rated Current: 0,5A
 Contact Resistance: 25mΩ Max.
 Withstanding Voltage: 500V
 Insulation Resistance: 10000MΩ Min.
 Operating Temperature: -55°C to + 125°C

Contact Material: Phosphor Bronze
 Contact Plating: Sn and Au over Ni
 Tail Material: Phosphor Bronze
 Tail Plating: Sn over Ni
 Main Body Material: LCP

Technical Dimensions (mm)



Pin	A	B	C	D	E
10	5,08	9,50	11,43	8,10	7,10
20	11,43	15,85	17,78	14,45	13,45
30	17,78	22,20	24,13	20,80	19,80
40	24,13	28,55	30,48	27,15	26,15
50	30,48	34,90	36,83	33,50	32,50
60	36,83	41,25	43,18	39,85	38,85
70	43,18	47,60	49,53	46,20	45,20
80	49,53	53,95	55,88	52,55	51,55
90	55,88	60,30	62,23	58,90	57,90
100	62,23	66,65	68,58	65,25	64,25

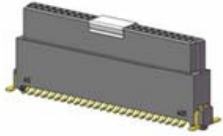
Tolerances unless otherwise specified (mm)

X	X.X	X.XX	X.XXX	Angle					
±	±	±	±	±3°					
DRW:	Jason	CHKD	Wilson	MATL:	Wilson	TOLERANCE	Mason	DATE	29.08.2018
APPD:	Schumi			FINISH	Jamy		Sheet No.		2 from 5

SMC-Connector Female B
Type H= 13,6mm

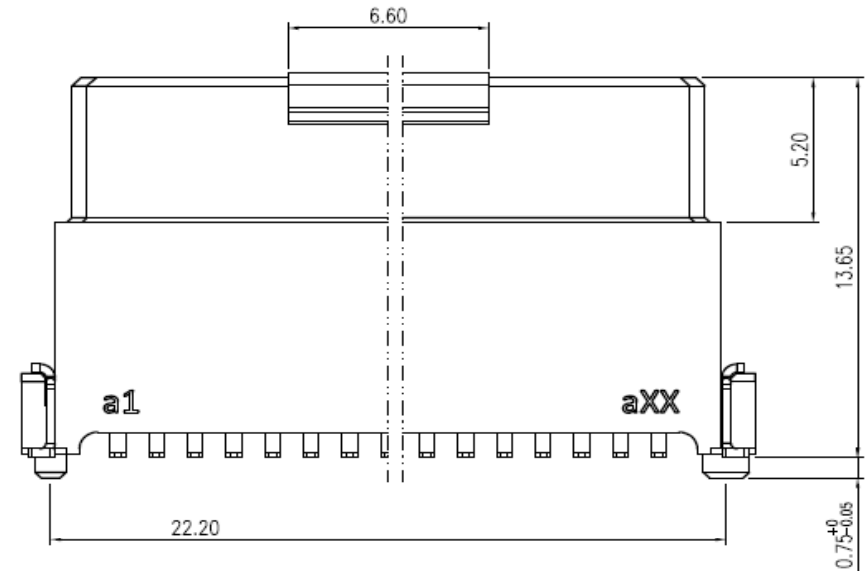
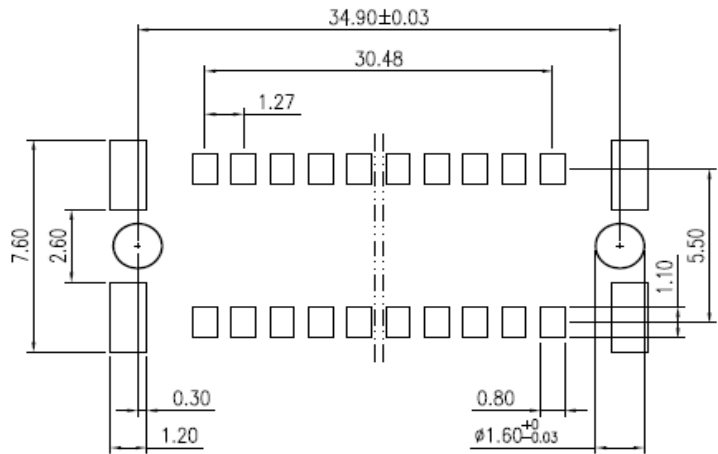
Part No.: **T15G001**

Customer:



PCB Layout (Top-Side) Tol. ± 0,05mm

Technical Dimension (mm)



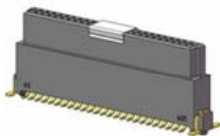
**SMC-Connector Female B
Type H= 13,6mm**

Part No.: **T15G001**

Customer:

DRW:	Jason	CHKD	Wilson	MATL:	Wilson	TOLERANCE	Mason	DATE	29.08.2018
APPD:	Schumi			FINISH	Jamy		Sheet No.		3 from 5

EDCON-COMPONENTS



Ordering Informations

Serie	No of Pin	Height (mm)	Contact Type	Contact Plating	Special function	Special function	Special function	ROHS	Packing Code
T15G001	010	136	F	S0	N	N	N	R	TR

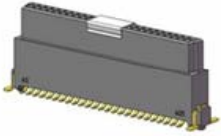
010= 10Pos.	136= 13,6mm	F= Female	S0= Selectiv Gold flash	N= No function	N= No function	N= No function	R= ROHS Conform	TC= TUBE Packing w. PIC and Place CAP
xxx= like Pos. table			S1= Selectiv 3μ AU / Tin				N= NON ROHS Conform	
			S2= Selectiv 5μ AU / Tin					TR= Tape Reel Packing w. Pic and Place Cap
			S3= Selectiv 10μ AU / Tin					
			S4= Selectiv 15μ AU / Tin					
			S5= Selectiv 30μ AU / Tin					

**SMC-Connector Female B
Type H= 13,6mm**

Part No.: **T15G001**

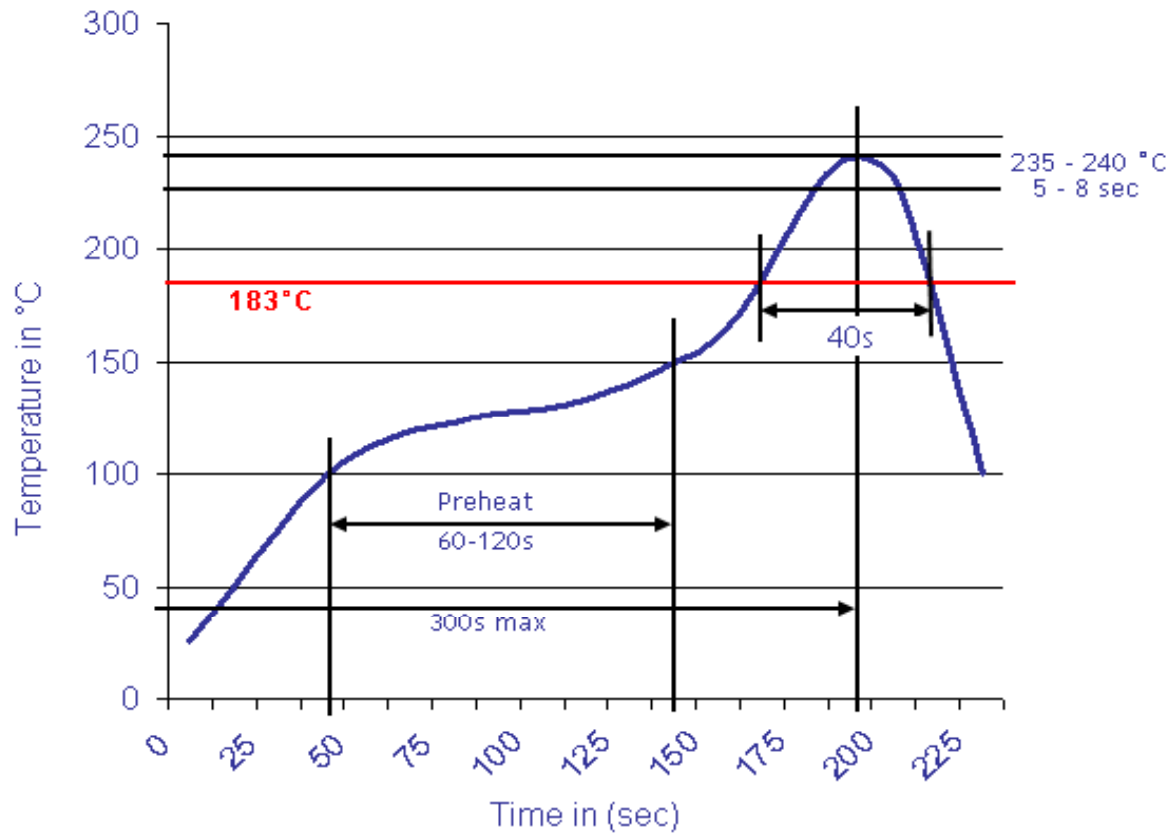
DRW:	Jason	CHKD	Wilson	MATL:	Wilson	TOLERANCE	Mason	DATE	29.08.2018
APPD:	Schumi			FINISH	Jamy		Sheet No.		4 from 5

Customer:



Soldering Profile Curve

Classification Reflow Profile (JEDEC J-STD-020C)



**SMC-Connector Female B
Type H= 13,6mm**

Part No.: **T15G001**

Customer:

DRW:	Jason	CHKD	Wilson	MATL:	Wilson	TOLERANCE	Mason	DATE	29.08.2018
APPD:	Schumi			FINISH	Jamy		Sheet No.	5 from 5	