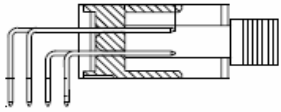


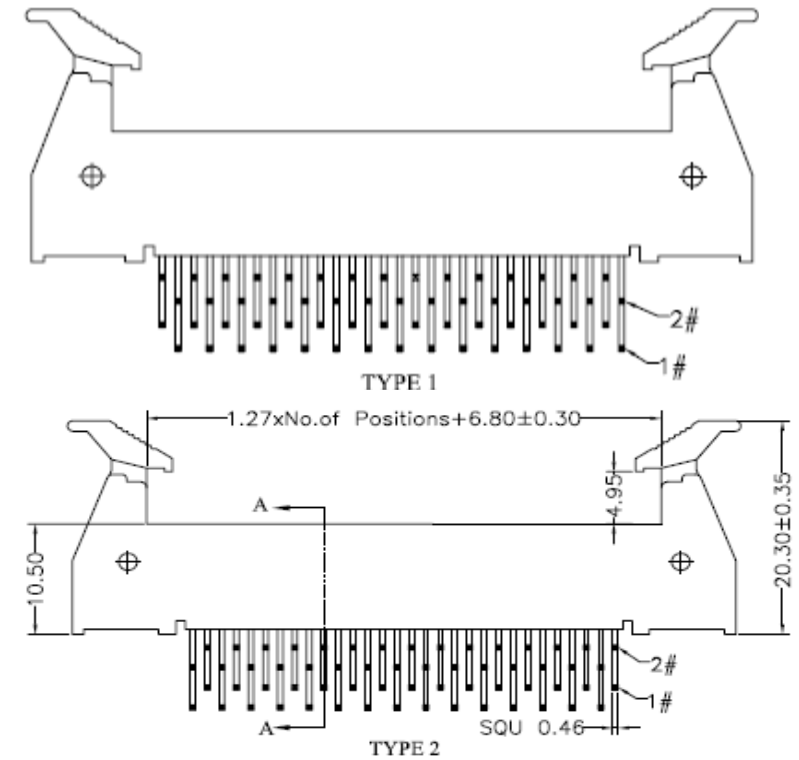
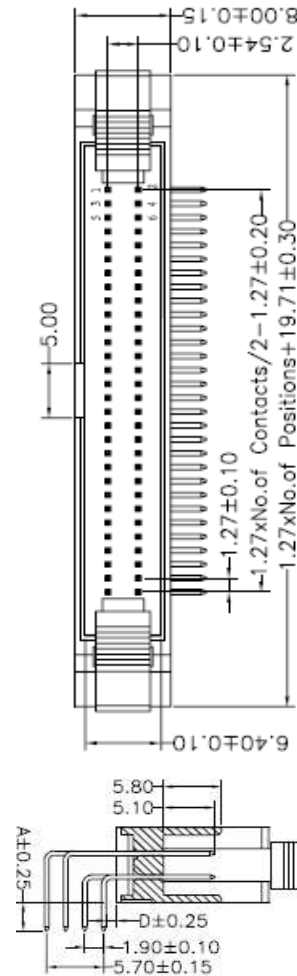
EDCON-COMPONENTS



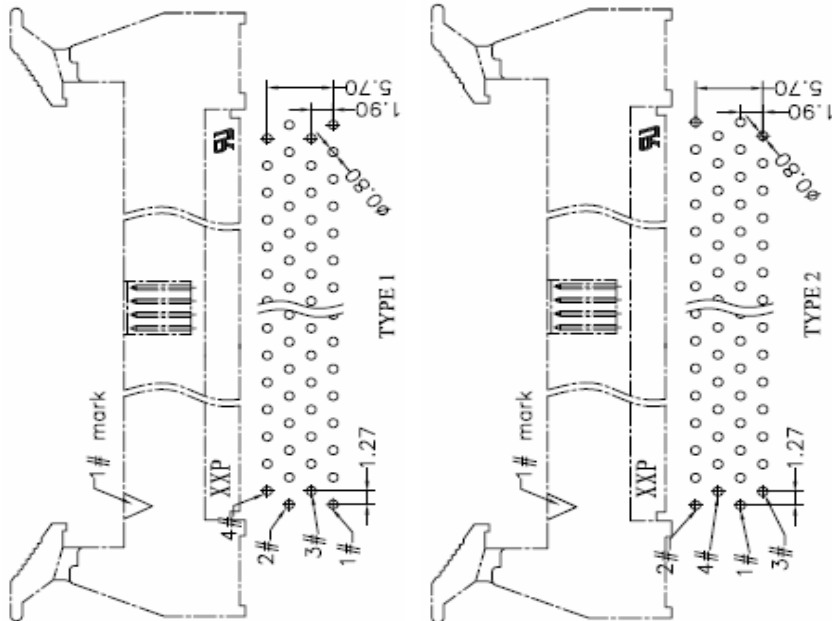
Specifications

Current Rating: 1,0 Amp.
 Insulation Resistance: 1000M Ohm min.
 Contact Resistance: 20milli Ohm max.
 Dielectric Voltage: 500V AC for one minute
 Operating Temperature: -40°C ~ to +105°C
 Insulator Material: PA6T+30% G.F.(UL94V-0)
 Contact Pin: Brass
 Contact Plating: Gold Flash or Sn over Ni.

Drawing



PCB Layout



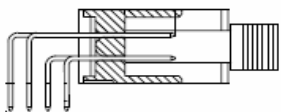
Box Header Pitch	
1,27x2,54mm	
Part No.:	T14C001
Customer:	

DRW:	Jason	CHKD	Wilson	MATL:	Wilson	TOLERANCE	Mason	DATE	10.04.2009
APPD:	Schumi			FINISH	Jamy			Sheet No.	1 from 4

www.edcon-components.com

email: info@edcon-components.com

EDCON-COMPONENTS



Pin Code length table free configuration

Dimension (mm)			
	A	D	
A01	3,00	1,00	
A02			
A03			
A04			
A05			
A06			
A07			
A08			
A09			
A10			
A11			
A12			
A13			
A14			
A15			
A16			
A17			
A18			
A19			
A20			
A21			
A22			

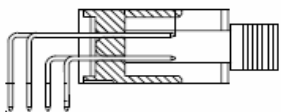
Dimension (mm)			
	A	D	
A23			
A24			
A25			
A26			
A27			
A28			
A29			
A30			
A31			
A32			
A33			
A34			
A35			
A36			
A37			
A38			
A39			
A40			
A41			
A42			
A43			
A44			

Dimension (mm)			
	A	D	
A45			
A46			
A47			
A48			
A49			
A50			
A51			
A52			
A53			
A54			
A55			
A56			
A57			
A58			
A59			
A60			
A61			
A62			
A63			
A64			
A65			
A66			

Box Header Pitch 1,27x2,54mm	
Part No.:	T14C001
Customer:	

DRW:	Jason	CHKD	Wilson	MATL:	Wilson	TOLERANCE	Mason	DATE	10.04.2009
APPD:	Schumi			FINISH	Jamy		Sheet No.		2 from 4

EDCON-COMPONENTS



Ordering Informations

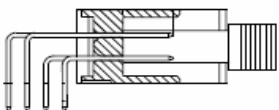
Serie	No. of Pos.	Contact Plating	Material	Color of Body	Pin Length Configuration	PCB Layout	ROHS	Packing		
T14C001	XX	G0	PA	BK	A01	A	R	BU		

XX= 10, 12, 14, 16, 20, 24, 26, 30, 32, 34, 40, 44, 50, 60, 64, 80, 100	G0= Gold Flash	PA= PA6T +30% GF f. ROHS	BK= Black BL= Blue WH= White	Axx = Look Table	A= Type 1 B= Type 2	N= NO ROHS conform R= ROHS conform	BU= Bulk Ware TU= Tube Packing TY= Tray	
	T0= Tin plated							
	GA= 3µ Gold Plating							
	GB= 5µ Gold Plating							
	GC= 10µ Gold Plating							
	GD= 30µ Gold Plating							
	S0= Selectiv Plating Gold Flash / Tin							
SD= Selectiv Tin/ 5µGold								
SD= Selectiv Tin/ 10µ Gold Flash								
SD= Selectiv Tin/ 20µ Gold	SD= Selectiv Tin/ 30µ Gold							

Box Header Pitch 1,27x2,54mm
Part No.: T14C001
Customer:

DRW: Jason	CHKD: Wilson	MATL: Wilson	TOLERANCE: Mason	DATE: 10.04.2009
APPD: Schumi		FINISH: Jamy	Sheet No.	3 from 4

EDCON-COMPONENTS



Soldering Profile for Lead Soldering (P.B.T.)



Soldering Profile for Lead Free Soldering (Nylon 6T)



Box Header Pitch
1,27x2,54mm

Part No.: **T14C001**

DRW:	Jason	CHKD	Wilson	MATL:	Wilson	TOLERANCE	Mason	DATE	10.04.2009
APPD:	Schumi			FINISH	Jamy		Sheet No.	4 from 4	Customer:

www.edcon-components.com

email: info@edcon-components.com