

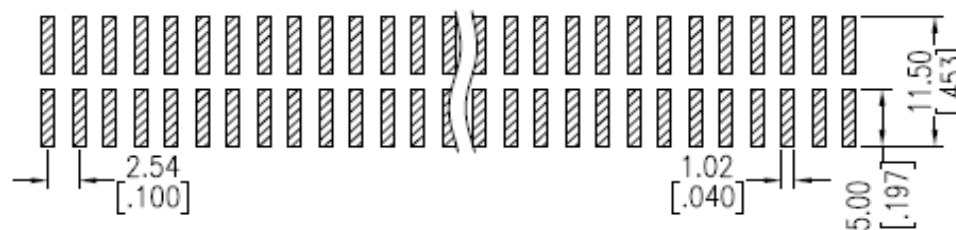
EDCON-COMPONENTS



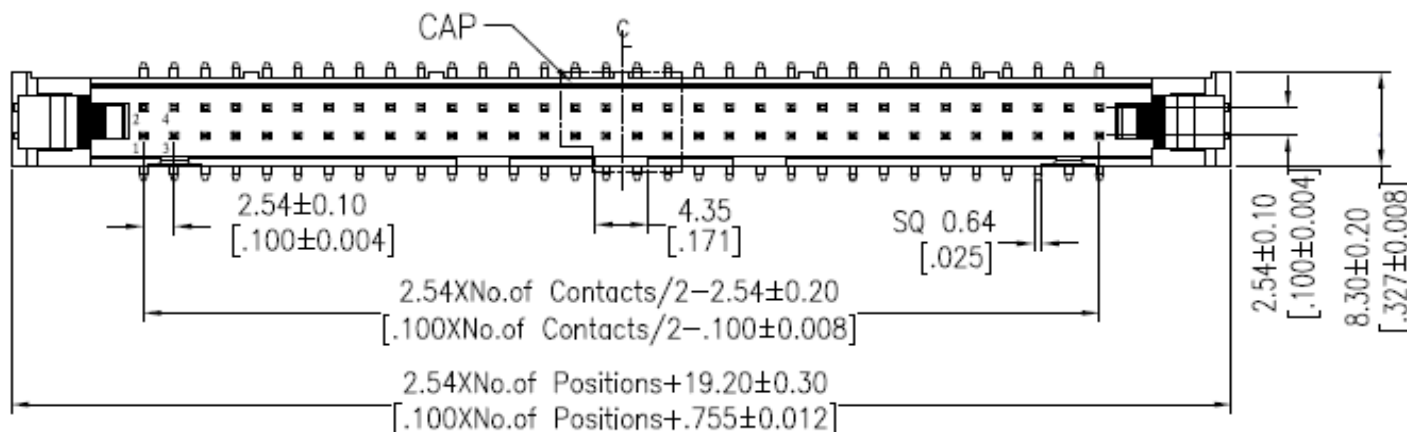
Specifications

Current Rating:	3,0A
Insulation Resistance:	1000M Ohm min.
Contact Resistance:	20milli Ohm max.
Dielectric Voltage:	500V AC for one minute
Operating Temperature:	. -55°C ~ to +105°C
Insulator Material:	PBT/PA9T+30% G.F.(UL94V-0)
Contact Pin:	Brass
Contact Plating:	Gold Flash all over

PCB - Layout



Drawing



SMT Box Header with Latches
2,54x2,54mm

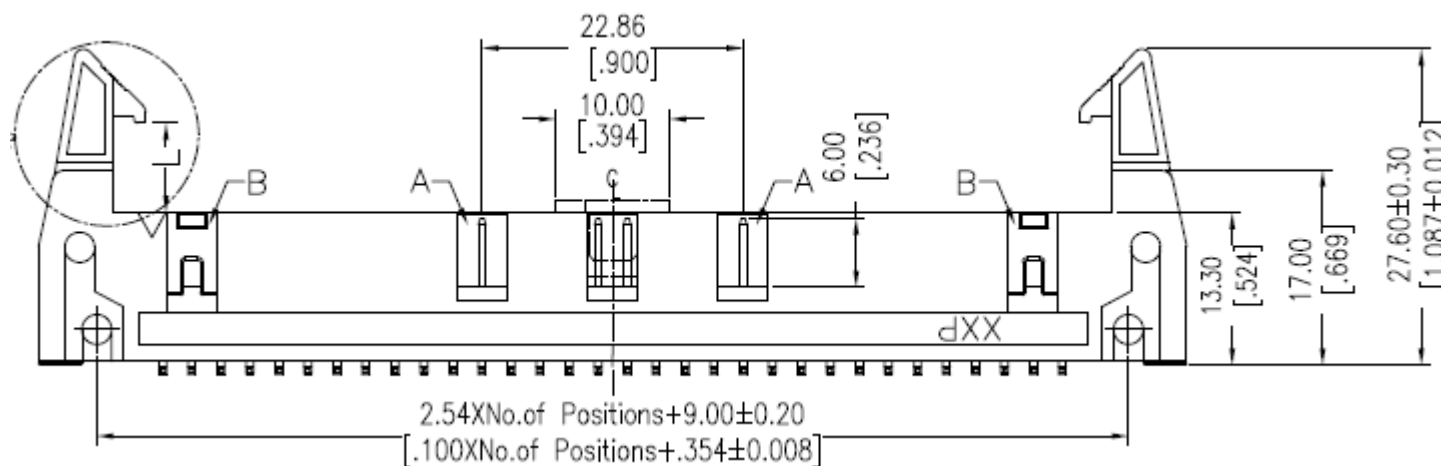
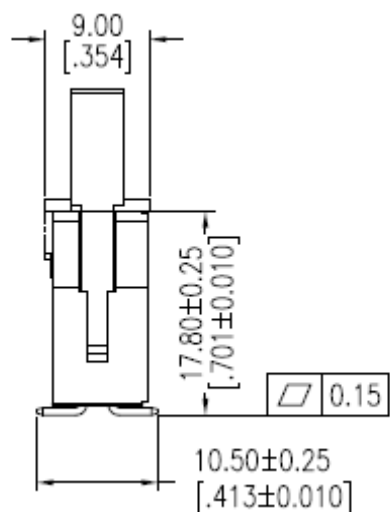
Part No.: **T14A014-**

DRW:	Jason	CHKD	Wilson	MATL:	Wilson	TOLERANCE	Mason	DATE	15.04.2016
APPD:	Schumi			FINISH	Jamy		Sheet No.	1 from 3	Customer:

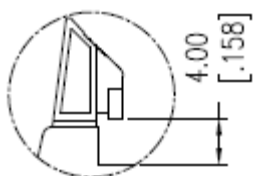
EDCON-COMPONENTS



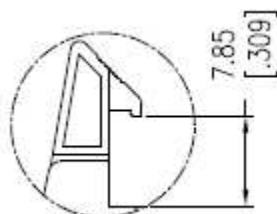
Pin Code length table free configuration



- 10P - 18P Without Slot "A" and "B"
- 20P - 58P With Slot "A" and Without Slot "B"
- 60P - 64P With Slot "A" and "B"



Short Latches



Long Latches

SMT Box Header with Latches
2,54x2,54mm

Part No.: **T14A014-**

DRW:	Jason	CHKD	Wilson	MATL:	Wilson	TOLERANCE	Mason	DATE	15.04.2016
APPD:	Schumi			FINISH	Jamy		Sheet No.	2 from 3	Customer:

EDCON-COMPONENTS



Serie	No. of Pos.	Contact Plating	Material	Color of Body	Latches Type	ROHS	Packing			
-------	-------------	-----------------	----------	---------------	--------------	------	---------	--	--	--

T14A014-	xx	G0	PB	BK	S	R	TY			
-----------------	-----------	-----------	-----------	-----------	----------	----------	-----------	--	--	--

XX= 10,14,16,20, 24,26,30,34, 40,50,60,64	G0= Gold Flash	PB= PBT	BK= Black	S= Short Latch	N= NO ROHS conform	BU= Bulk
	T0= Tin plated	PA= PA9T +30% GF f. ROHS	BL= Blue			TU= Tube
	GA= 3µ Gold Plating		GY= Gray	L= Long Latch	R= ROHS conform	TY= Tray Packing
	GB= 5µ Gold Plating					
	GC= 10µ Gold Plating					
	GD= 30µ Gold Plating					
	S0= Selectiv Plating Gold Flash / Tin					
	SD= Selectiv Tin/ 5µGold					
SD= Selectiv Tin/ 10µ Gold Flash						
SD= Selectiv Tin/ 20µ Gold	SD= Selectiv Tin/ 30µ Gold	SD= Selectiv Tin/ 30µ Gold				

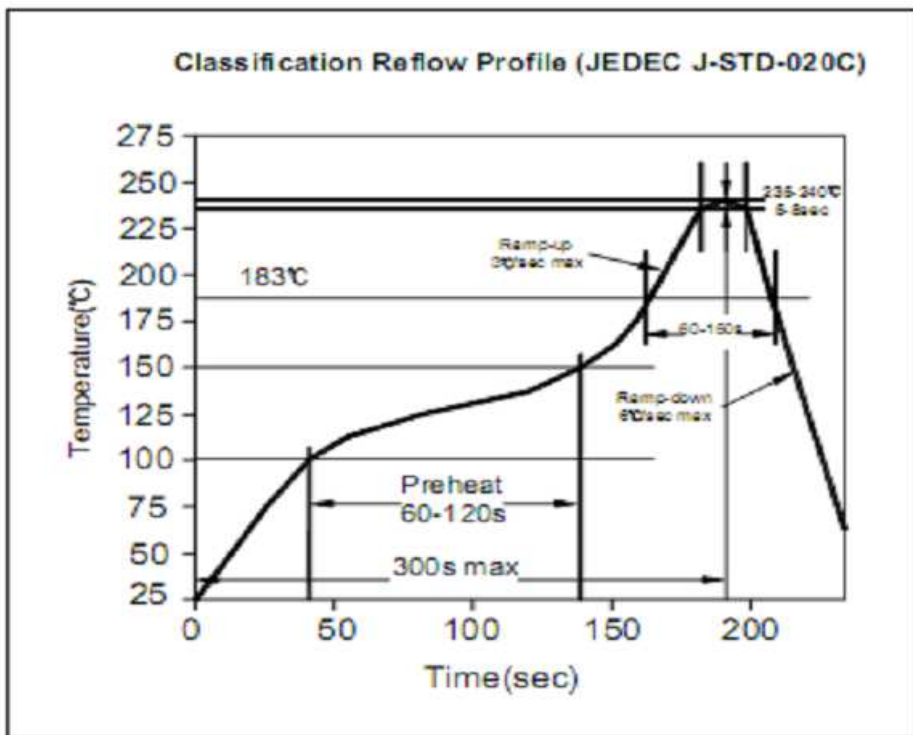
SMT Box Header with Latches 2,54x2,54mm
Part No.: T14A014-
Customer:

DRW:	Jason	CHKD	Wilson	MATL:	Wilson	TOLERANCE	Mason	DATE	15.04.2016
APPD:	Schumi			FINISH	Jamy		Sheet No.		3 from 3

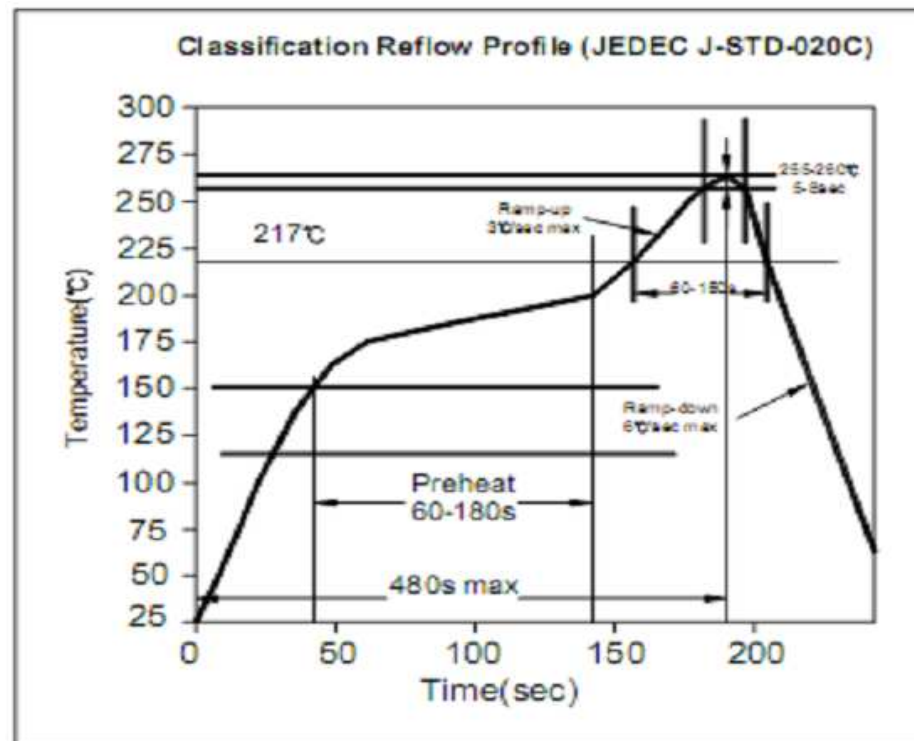
EDCON-COMPONENTS



Soldering Profile for Lead Soldering (P.B.T.)



Soldering Profile for Lead Free Soldering (Nylon 6T)



SMT Box Header with Latches 2,54x2,54mm

Part No.: **T14A014-**

DRW:	Jason	CHKD	Wilson	MATL:	Wilson	TOLERANCE	Mason	DATE	15.04.2016
APPD:	Schumi			FINISH	Jamy		Sheet No.	4 from 4	Customer:

www.edcon-components.com

email: info@edcon-components.com

