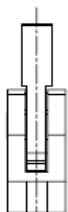


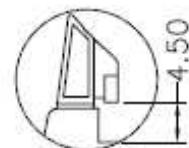
EDCON-COMPONENTS



Specifications

Current Rating:	3,0A
Insulation Resistance:	1000M Ohm min.
Contact Resistance:	20milli Ohm max.
Dielectric Voltage:	1000V AC for one minute
Operating Temperature:	-40°C ~ to +105°C
Insulator Material:	PBT/PA6T+30% G.F.(UL94V-0)
Contact Pin:	Brass
Contact Plating:	Gold Flash all over

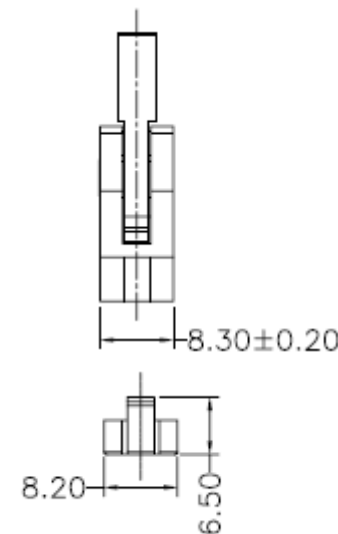
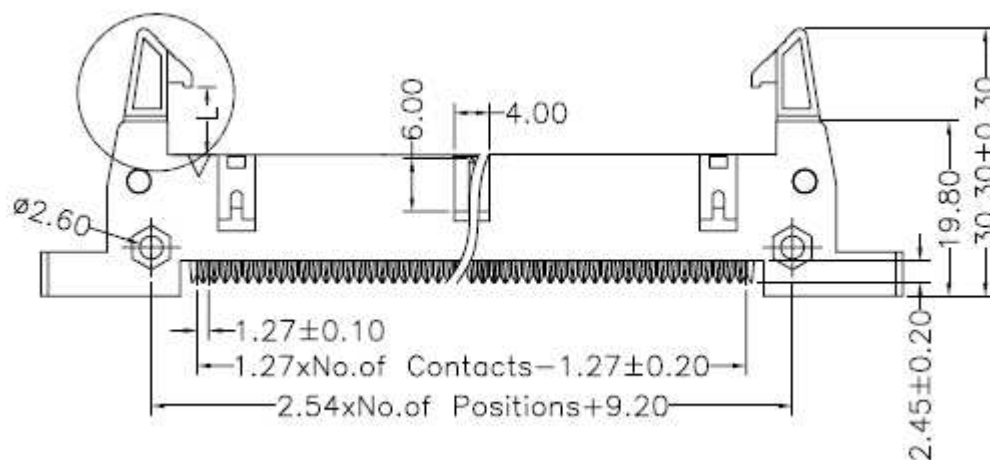
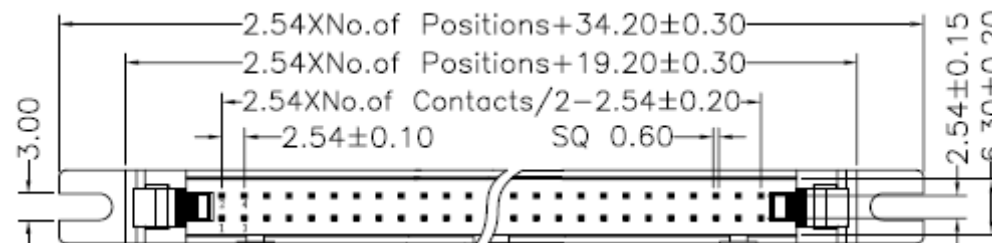
Drawing



Short Latch



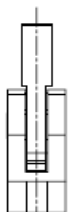
Long Latch



Box Header Pitch 2,54x2,54mm
Part No.: T14A008
Customer:

DRW:	Jason	CHKD	Wilson	MATL:	Wilson	TOLERANCE	Mason	DATE	10.04.2009
APPD:	Schumi			FINISH	Jamy		Sheet No.		1 from 4

EDCON-COMPONENTS



Pin Code length table free configuration

Dimension (mm)				
A00	Standard			
A01				
A02				
A03				
A04				
A05				
A06				
A07				
A08				
A09				
A10				
A11				
A12				
A13				
A14				
A15				
A16				
A17				
A18				
A19				
A20				
A21				
A22				

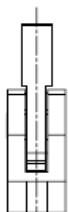
Dimension (mm)				
A23				
A24				
A25				
A26				
A27				
A28				
A29				
A30				
A31				
A32				
A33				
A34				
A35				
A36				
A37				
A38				
A39				
A40				
A41				
A42				
A43				
A44				

Dimension (mm)				
A45				
A46				
A47				
A48				
A49				
A50				
A51				
A52				
A53				
A54				
A55				
A56				
A57				
A58				
A59				
A60				
A61				
A62				
A63				
A64				
A65				
A66				

Box Header Pitch 2,54x2,54mm	
Part No.:	T14A008
Customer:	

DRW:	Jason	CHKD	Wilson	MATL:	Wilson	TOLERANCE	Mason	DATE	10.04.2009
APPD:	Schumi			FINISH	Jamy		Sheet No.		2 from 4

EDCON-COMPONENTS



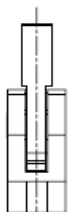
Ordering Informations

Serie	No. of Pos.	Contact Plating	Material	Color of Body	Pin Length Configuration	Option Latches	ROHS	Packing		
T14A008	XX	G0	PB	BK	A00	S	R	BU		

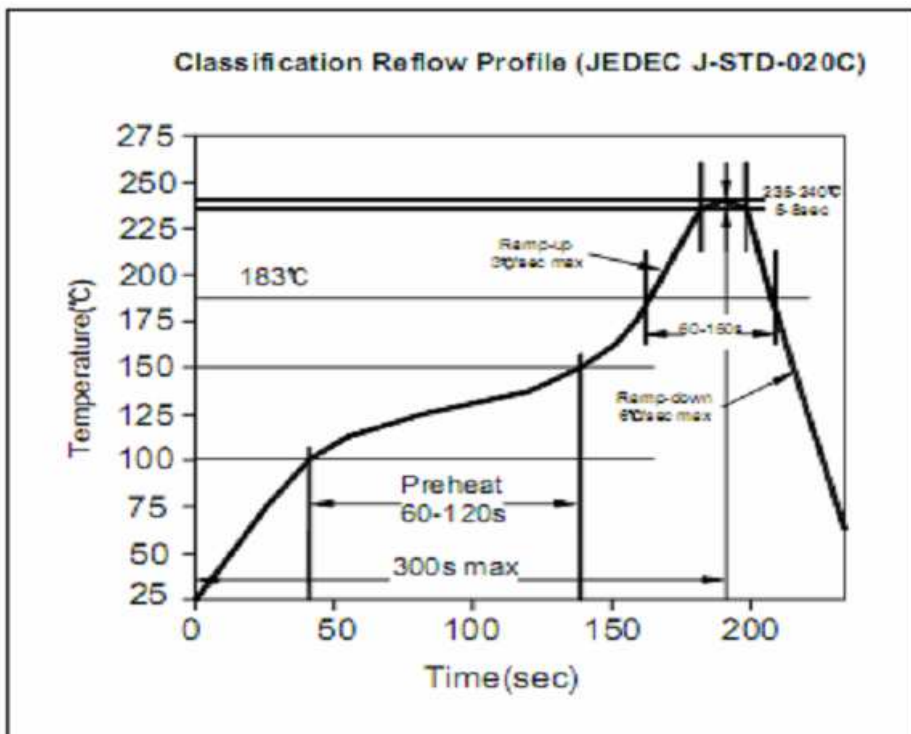
XX= 6, 8, 10, 14, 16, 20, 26, 30, 34, 40, 50, 60, 64	G0= Gold Flash	PB= PBT	BK= Black	Axx = Look Table	S= Short Latches	N= NO ROHS conform	BU= Bulk Ware
	T0= Tin plated	PA= PA6T +30% GF f. ROHS	BL= Blue		L= Long Latches	R= ROHS conform	TU= Tube Packing
	GA= 3µ Gold Plating		GR= Gray (427°C)		N= without Latches		TY= Tray
	GB= 5µ Gold Plating		EG= Gray (413°C)				
	GC= 10µ Gold Plating						
	GD= 30µ Gold Plating						
	S0= Selectiv Plating Gold Flash / Tin						
	SD= Selectiv Tin/ 5µGold						
SD= Selectiv Tin/ 10µ Gold Flash							
SD= Selectiv Tin/ 20µ Gold	SD= Selectiv Tin/ 30µ Gold						

Box Header Pitch 2,54x2,54mm
Part No.: T14A008
Customer:

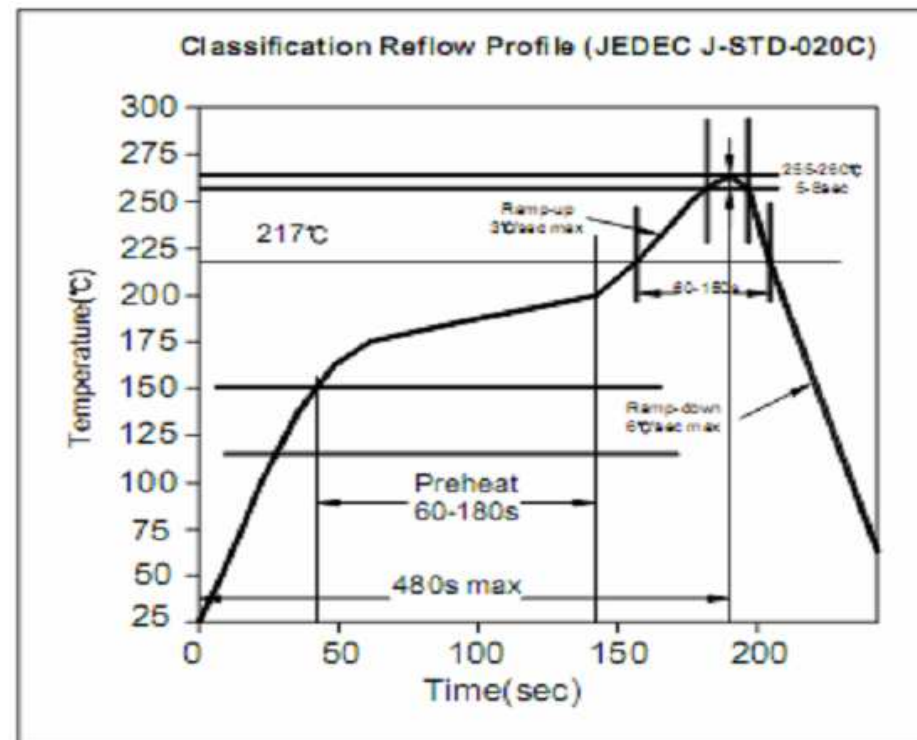
DRW:	Jason	CHKD	Wilson	MATL:	Wilson	TOLERANCE	Mason	DATE	10.04.2009
APPD:	Schumi			FINISH	Jamy		Sheet No.		3 from 4



Soldering Profile for Lead Soldering (P.B.T.)



Soldering Profile for Lead Free Soldering (Nylon 6T)



Box Header Pitch	
2,54x2,54mm	
Part No.:	T14A008
Customer:	

DRW:	Jason	CHKD	Wilson	MATL:	Wilson	TOLERANCE	Mason	DATE	10.04.2009
APPD:	Schumi			FINISH	Jamy		Sheet No.	4 from 4	