

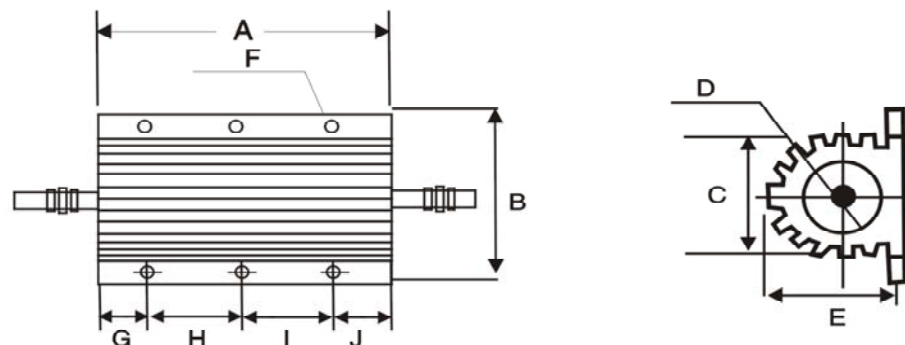
EDCON-COMPONENTS



Feature

- High power rating, small size and ultra precision
- Standard winding & non-induct rewinding types
- High stability, strong construction

Drawing



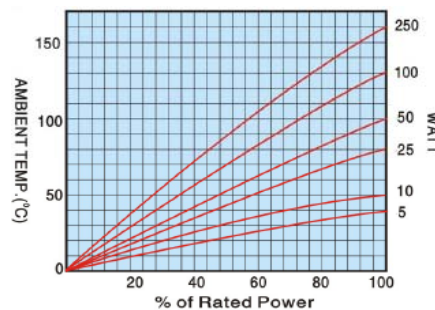
Standard Electrical

MIL Style	Wartage Rating	Resistance Range (Ω)		Max Wcring (V)		Max Weight (g)	Proper heatsink (aluminum chassis)
		AN Inauctive	AHN Norrductie	AH	AHN		
RE77	500	0.6 ~ 80k	0.15 ~ 40K	2500	1750		305X305X3t

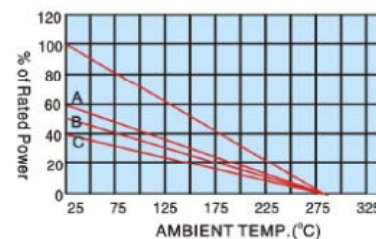
Material

Encapsuat: Silicone
 Endcaps: Stainless steel
 Core: Ceramic steatite or alumina
 Housing: Aluminum with hard anodic coating
 Element: Copper-nickel alloy, nickel-chrome alloy or manganese copper
 Standard: 5 ~ 50W Tinned terminals
 Terminals: 100 ~ 250W Threaded terminals

Surface temperature versus power load (on Chassis)



Derating



A	±1.0	200	F	---	6
B	±0.5	72	G	---	12
C	±0.5	45	H	---	52
D	±1.0	32	I	---	52
E	±0.5	41	J	---	12

Derang&nequired to reduce chassis mounting gear dur high ambient temperantcs. Curves
 A-5&10wat.l.unis. unmounted.
 B-25wat.l.unis. unmounted
 C-50, 100&250wat.l.unas. unmounted

Aluminum Housed Wire Wound Resistors

Part No.: **X50011**

DRW:	Jason	CHKD	Wilson	MATL:	Wilson	TOLERANCE	Mason	DATE	30.01.2017	Customer:
APPD:	Schumi			FINISH	Jamy		Sheet No.	1 from 3		

EDCON-COMPONENTS



Ordering Informations

Serie	Resistence	Tolerance Code	Styles of Pin	ROHS	Packing					
X50011	501	J	1	R	BX					

501 = 500 Ω	K = ±10%	1 = Round	R = ROHS Conform	BX = Box
	J = ±5%		N = Non ROHS Conform	
	H = ±3%			
	G = ±2%			
	F = ±1%			
	D = ±0.5%			

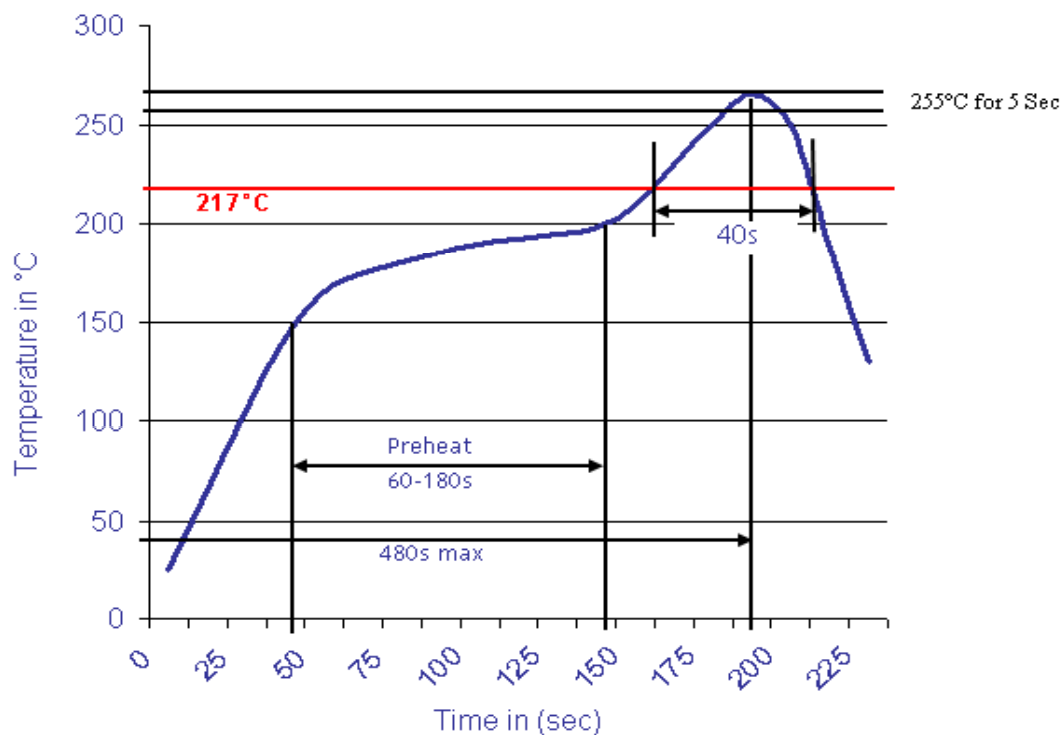
Aluminum Housed Wire Wound Resistors	
Part No.:	X50011
Customer:	

DRW:	Jason	CHKD	Wilson	MATL:	Wilson	TOLERANCE	Mason	DATE	30.01.2017
APPD:	Schumi			FINISH	Jamy		Sheet No.		2 from 3



Soldering Profile Curve

Classification Reflow Profile (JEDEC J-STD-020C)



**Aluminum Housed Wire
Wound Resistors**

Part No.: **X50011**

Customer:

DRW:	Jason	CHKD	Wilson	MATL:	Wilson	TOLERANCE	Mason	DATE	30.01.2017
APPD:	Schumi			FINISH	Jamy		Sheet No.	3 from 3	