

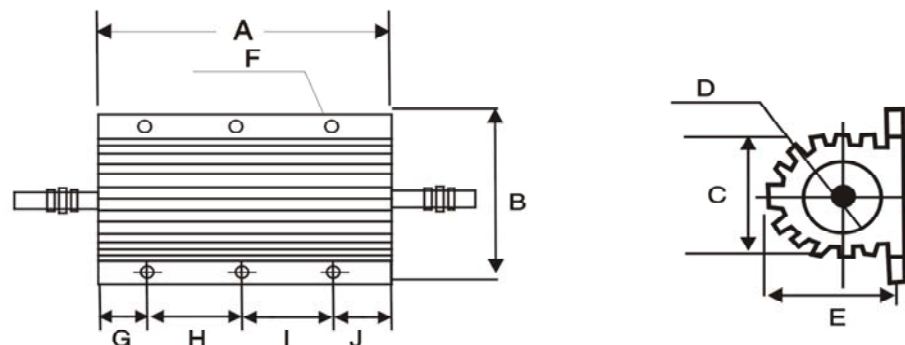
# EDCON-COMPONENTS



## Feature

- High power rating, small size and ultra precision
- Standard winding & non-induct rewinding types
- High stability, strong construction

## Drawing



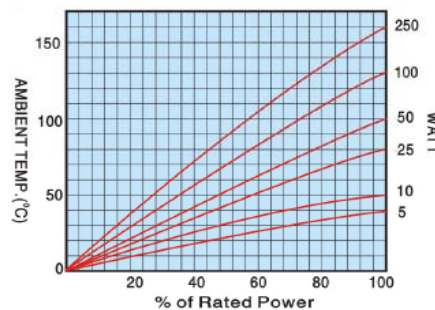
## Standard Electrical

MIL Style	Wartage Rating	Resistance Range ( $\Omega$ )		Max Wcring ( V )		Max Weight ( g )	Proper heatsink ( aluminum chassis )
		AN Inauctive	AHN Norrductie	AH	AHN		
RE77	300	0.6 ~ 80k	0.15 ~ 40K	2500	1750		305X305X3t

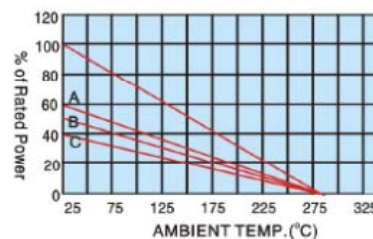
## Material

Encapsuat: Silicone  
 Endcaps: Stainless steel  
 Core: Ceramic steatite or alumina  
 Housing: Aluminum with hard anodic coating  
 Element: Copper-nickel alloy, nickel-chrome alloy or manganese copper  
 Standard: 5 ~ 50W Tinned terminals  
 Terminals: 100 ~ 250W Threaded terminals

**Surface temperature versus power load ( on Chassis )**



**Derating**



<b>A</b>	±1.0	128	<b>F</b>	---	6
<b>B</b>	±0.5	72	<b>G</b>	---	12
<b>C</b>	±0.5	45	<b>H</b>	---	52
<b>D</b>	±1.0	32	<b>I</b>	---	52
<b>E</b>	±0.5	41	<b>J</b>	---	12

Derang&nequired to reduce chassis mounting gear dur high ambient temperantcs. Curves  
 A-8&10wat.l.unis. unmounted.  
 B-25wat.l.unis. unmounted  
 C-50, 100&250wat.l.unas. unmounted

## Aluminum Housed Wire Wound Resistor

Part No.: **X50010**

DRW:	Jason	CHKD	Wilson	MATL:	Wilson	TOLERANCE	Mason	DATE	30.01.2017	Customer:
APPD:	Schumi			FINISH	Jamy		Sheet No.	1 from 3		

# EDCON-COMPONENTS



## Ordering Informations

Serie	Resstence	Tolerance Code	Styles of Pin	ROHS	Packing					
-------	-----------	----------------	---------------	------	---------	--	--	--	--	--

<b>X50010</b>	-	<b>501</b>	<b>J</b>	<b>1</b>	<b>R</b>	<b>BX</b>				
---------------	---	------------	----------	----------	----------	-----------	--	--	--	--

<b>501 = 500 Ω</b>	<b>K = ±10%</b>	<b>1 = Round</b>	<b>R = ROHS Conform</b>	<b>BX = Box</b>
	<b>J = ±5%</b>		<b>N = Non ROHS Conform</b>	
	<b>H = ±3%</b>			
	<b>G = ±2%</b>			
	<b>F = ±1%</b>			
	<b>D = ±0.5%</b>			

**Aluminum Housed Wire Wound Resistors**

Part No.: **X50010**

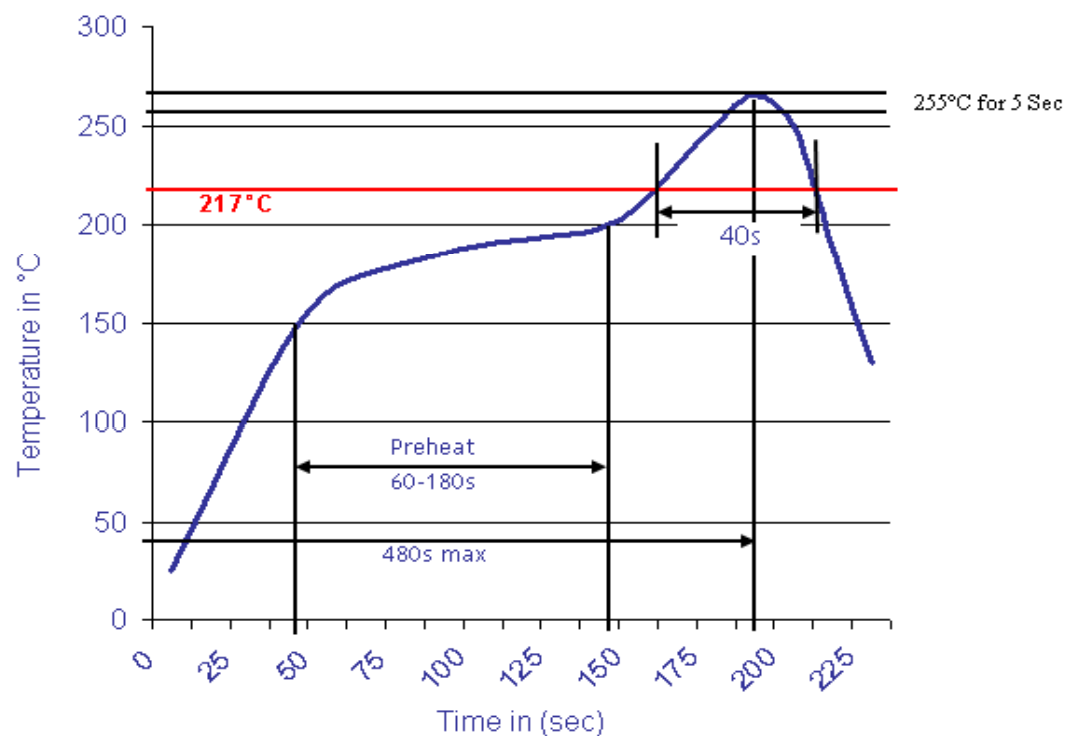
Customer:

DRW:	Jason	CHKD	Wilson	MATL:	Wilson	TOLERANCE	Mason	DATE	30.01.2017
APPD:	Schumi			FINISH	Jamy		Sheet No.	2 from 3	



Soldering Profile Curve

Classification Reflow Profile (JEDEC J-STD-020C)



**Aluminum Housed Wire  
Wound Resistors**

Part No.: **X50010**

Customer:

DRW:	Jason	CHKD	Wilson	MATL:	Wilson	TOLERANCE	Mason	DATE	30.01.2017
APPD:	Schumi			FINISH	Jamy		Sheet No.	3 from 3	