

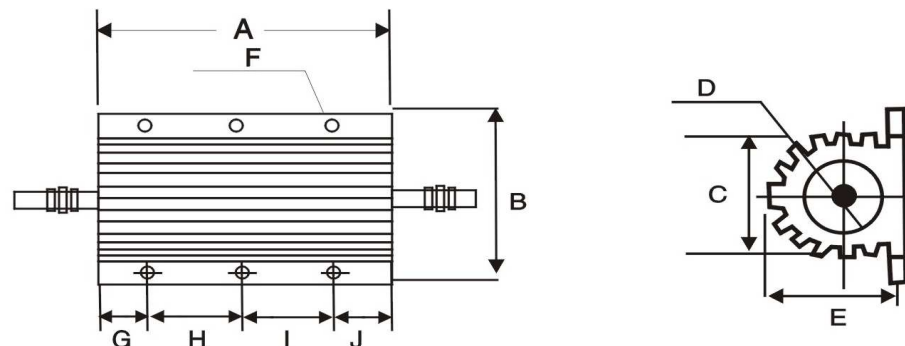
EDCON-COMPONENTS



Feature

- High power rating, small size and ultra precision
- Standard winding & non-induct rewinding types
- High stability, strong construction

Drawing



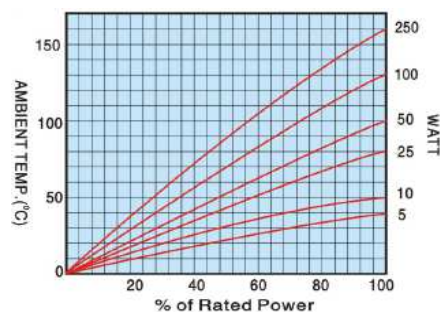
Standard Electrical

MIL Style	Wartage Rating	Resistance Range (Ω)		Max Wcring (V)		Max Weight (g)	Proper heatsink (aluminum chassis)
		AN Inauctive	AHN Norrductie	AH	AHN		
RE80	250	0.6 ~ 80k	0.15 ~ 40k	2500	1750	800	305X305X3t

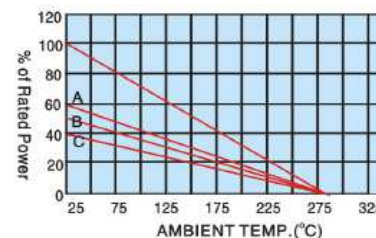
Material

Encapsuat: Silicone
 Endcaps: Stainless steel
 Core: Ceramic steatite or alumina
 Housing: Aluminum with hard anodic coating
 Element: Copper-nickel alloy, nickel-chrome alloy or manganese copper
 Standard: 5 ~ 50W Tinned terminals
 Terminals: 100 ~ 250W Threaded terminals

Surface temperature versus power load (on Chassis)



Derating



A	±1.0	170	F	---	6
B	±0.5	48	G	---	20
C	±0.5	22	H	---	65
D	±1.0	17	I	---	65
E	±0.5	26	J	---	20

Derang&nequird to reduce chassis mountng anaard l ur highambienl temperantcs. Currvs
 A-S&10wat l ur is. unmountd.
 B-25wat l. unis. unmountd
 C-50, 100&250wat l unas. unmountd

Aluminum Housed Wire Wound Resistors

Part No.: **X50007**

DRW:	Jason	CHKD	Wilson	MATL:	Wilson	TOLERANCE	Mason	DATE	24.11.2010	Customer:
APPD:	Schumi			FINISH	Jamy		Sheet No.	1 from 3		

EDCON-COMPONENTS



Ordering Informations

Serie	Resistence	Tolerance Code	Styles of Pin	ROHS	Packing					
-------	------------	----------------	---------------	------	---------	--	--	--	--	--

X50007	-	501	J	1	R	BX				
---------------	---	------------	----------	----------	----------	-----------	--	--	--	--

501 = 500 Ω	K = ±10%	1 = Round	R = ROHS Conform	BX = Box
	J = ±5%		N = Non ROHS Conform	
	H = ±3%			
	G = ±2%			
	F = ±1%			
	D = ±0.5%			

Aluminum Housed Wire Wound Resistors

Part No.: **X50007**

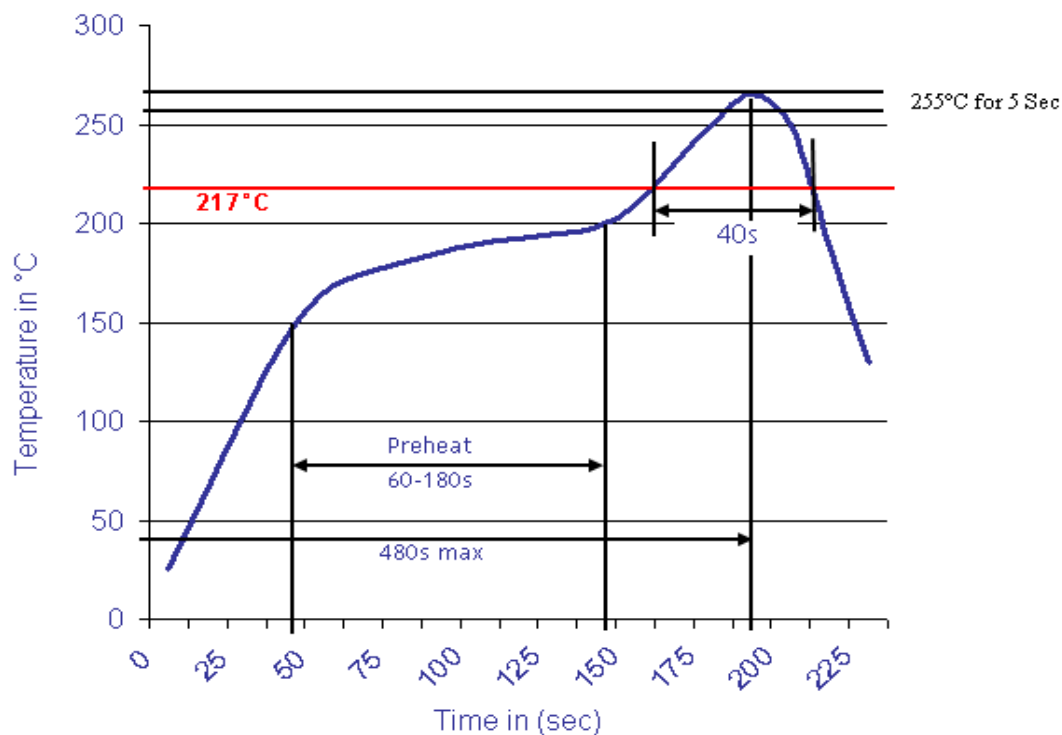
Customer:

DRW:	Jason	CHKD	Wilson	MATL:	Wilson	TOLERANCE	Mason	DATE	24.11.2010
APPD:	Schumi			FINISH	Jamy		Sheet No.	2 from 3	



Soldering Profile Curve

Classification Reflow Profile (JEDEC J-STD-020C)



Aluminum Housed Wire Wound Resistors	
Part No.:	X50007
Customer:	

DRW:	Jason	CHKD	Wilson	MATL:	Wilson	TOLERANCE	Mason	DATE	24.11.2010
APPD:	Schumi			FINISH	Jamy		Sheet No.	3 from 3	