

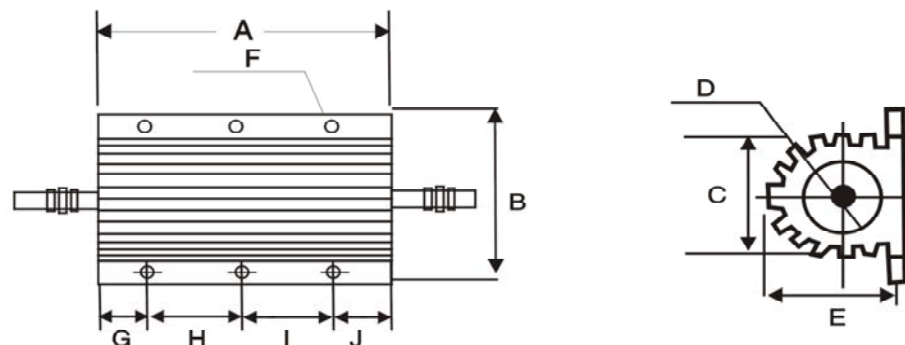
EDCON-COMPONENTS



Feature

- High power rating, small size and ultra precision
- Standard winding & non-induct rewinding types
- High stability, strong construction

Drawing



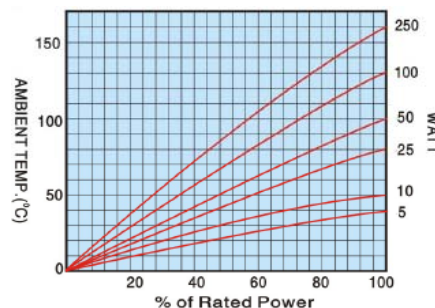
Standard Electrical

| MIL Style | Wartage Rating | Resistance Range (Ω) | | Max Wcring (V) | | Max Weight (g) | Proper heatsink (aluminum chassis) |
|-----------|----------------|-------------------------------|----------------|------------------|------|------------------|--------------------------------------|
| | | AN Inauctive | AHN Norrductie | AH | AHN | | |
| RE77 | 100 | 0.4 ~ 50k | 0.12 ~ 25k | 1900 | 1340 | 450 | 305X305X3t |

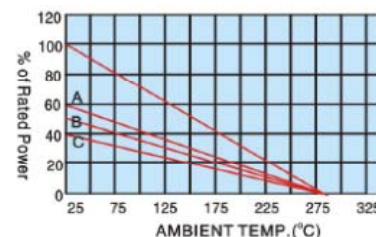
Material

Encapsuat: Silicone
 Endcaps: Stainless steel
 Core: Ceramic steatite or alumina
 Housing: Aluminum with hard anodic coating
 Element: Copper-nickel alloy, nickel-chrome alloy or manganese copper
 Standard: 5 ~ 50W Tinned terminals
 Terminals: 100 ~ 250W Threaded terminals

Surface temperature versus power load (on Chassis)



Derating



| | | | | | |
|----------|------|----|----------|-----|----|
| A | ±1.0 | 98 | F | --- | 6 |
| B | ±0.5 | 48 | G | --- | 14 |
| C | ±0.5 | 22 | H | --- | 35 |
| D | ±1.0 | 17 | I | --- | 35 |
| E | ±0.5 | 26 | J | --- | 14 |

Derang&nequired to reduce chassis mounting gear and for high ambient temperatures.
 Curves
 A-8&10wat.l.unis. unmounted.
 B-25wat.l.unis. unmounted
 C-50, 100&250wat.l.unas. unmounted

Aluminum Housed Wire Wound Resistor

Part No.: **X50006**

| | | | | | | | | | | |
|-------|--------|------|--------|--------|--------|-----------|-----------|----------|------------|-----------|
| DRW: | Jason | CHKD | Wilson | MATL: | Wilson | TOLERANCE | Mason | DATE | 24.11.2010 | Customer: |
| APPD: | Schumi | | | FINISH | Jamy | | Sheet No. | 1 from 3 | | |

EDCON-COMPONENTS



Ordering Informations

| Serie | Resstence | Tolerance Code | Styles of Pin | ROHS | Packing | | | | | |
|-------|-----------|----------------|---------------|------|---------|--|--|--|--|--|
|-------|-----------|----------------|---------------|------|---------|--|--|--|--|--|

| | | | | | | | | | | |
|---------------|------------|----------|----------|----------|-----------|--|--|--|--|--|
| X50006 | 501 | J | 1 | R | BX | | | | | |
|---------------|------------|----------|----------|----------|-----------|--|--|--|--|--|

| | | | | |
|--------------------|------------------|------------------|-----------------------------|-----------------|
| 501 = 500 Ω | K = ±10% | 1 = Round | R = ROHS Conform | BX = Box |
| | J = ±5% | | N = Non ROHS Conform | |
| | H = ±3% | | | |
| | G = ±2% | | | |
| | F = ±1% | | | |
| | D = ±0.5% | | | |

Aluminum Housed Wire Wound Resistors

Part No.: **X50006**

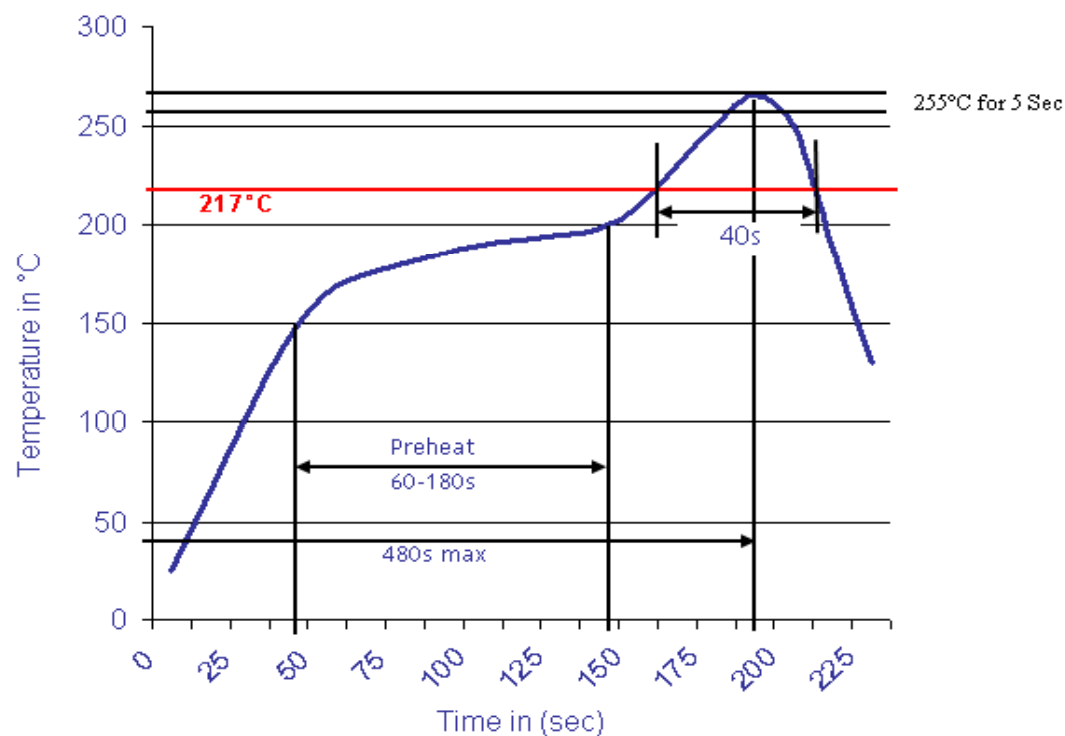
Customer:

| | | | | | | | | | |
|-------|--------|------|--------|--------|--------|-----------|-----------|----------|------------|
| DRW: | Jason | CHKD | Wilson | MATL: | Wilson | TOLERANCE | Mason | DATE | 24.11.2010 |
| APPD: | Schumi | | | FINISH | Jamy | | Sheet No. | 2 from 3 | |



Soldering Profile Curve

Classification Reflow Profile (JEDEC J-STD-020C)



**Aluminum Housed Wire
Wound Resistors**

Part No.: **X50006**

| | | | | | | | | | |
|-------|--------|------|--------|--------|--------|-----------|-----------|----------|------------|
| DRW: | Jason | CHKD | Wilson | MATL: | Wilson | TOLERANCE | Mason | DATE | 24.11.2010 |
| APPD: | Schumi | | | FINISH | Jamy | | Sheet No. | 3 from 3 | Customer: |