

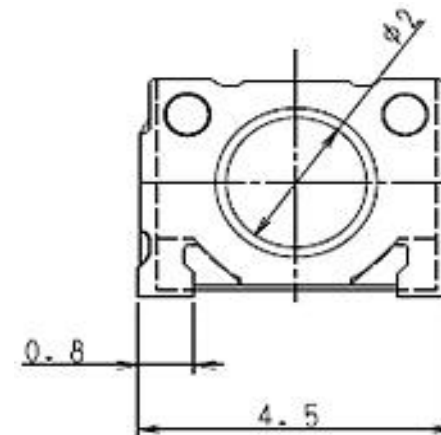
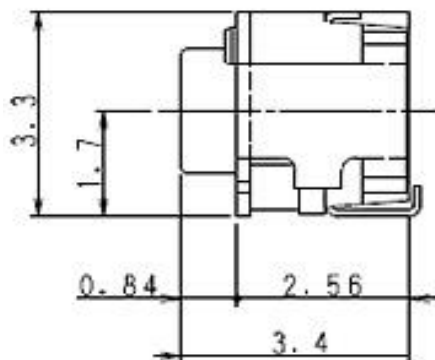
# EDCON-COMPONENTS



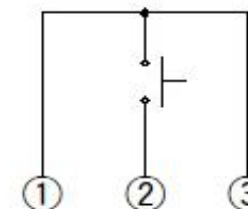
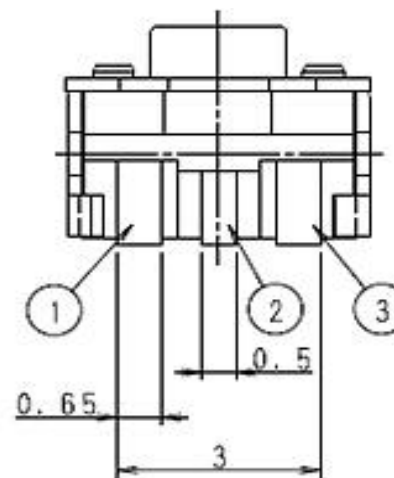
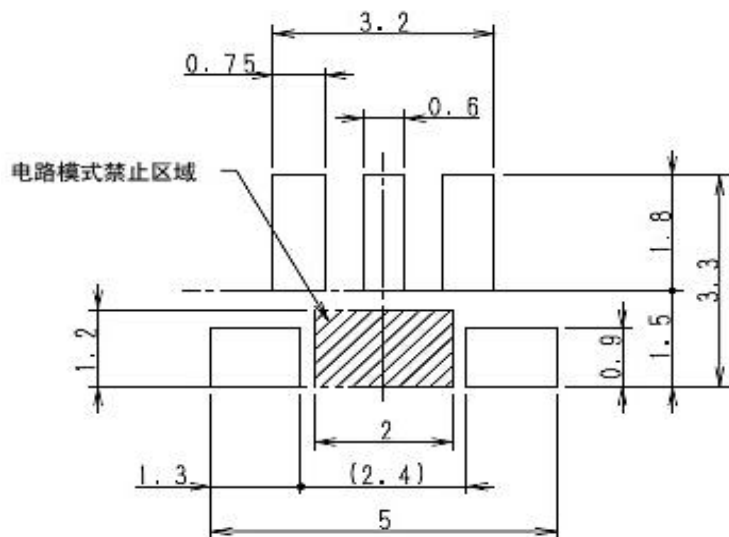
## SPECIFICATION:

Current Rating: 50mA / 12VDC  
 Insulator Resistance: 100M Ohm min 100VDC  
 Dielectric Withstanding: 250VAC for 1 min.  
 Operating Temperature: -30°C ~ +85°C  
 Contact Resistance: 500m Ohm max.  
 Travel: 0,20 / + - 0,1mm  
 Cycles: 100000

## Drawing



## P.C.B Layout



**Tact Switch 4,50 x 3,30mm**

Part No.: **Q12009**

Customer:

DRW:	Jason	CHKD	Wilson	MATL:	Wilson	TOLERANCE	Mason	DATE	21.10.2016
APPD:	Schumi			FINISH	Jamy		Sheet No.	1 from 3	

[www.edcon-components.com](http://www.edcon-components.com)

email: [info@edcon-components.com](mailto:info@edcon-components.com)

# EDCON-COMPONENTS



## Ordering Informations

Serie	Total height w. Body	Fill with 0	Operating Force	Polarisation Peg	Electrical life	Fill with 0	ROHS	Packing		
<b>Q12009</b>	<b>034</b>	<b>X</b>	<b>181</b>	<b>N</b>	<b>104</b>	<b>X</b>	<b>R</b>	<b>TRxxx</b>		

<b>034</b> = 3,4mm	<b>X</b> = No function	<b>181</b> = 180gr	<b>N</b> = without Peg	<b>104</b> = 100000 Cycles	<b>X</b> = No function	<b>N</b> = non ROHS	<b>BU</b> = Bulk Ware
						<b>R</b> = ROHS conform	<b>TY</b> = Tray Packing
							<b>TR102</b> = Tape/Reel Packing 1000PCS

**Tact Switch 4,50 x 3,30mm**

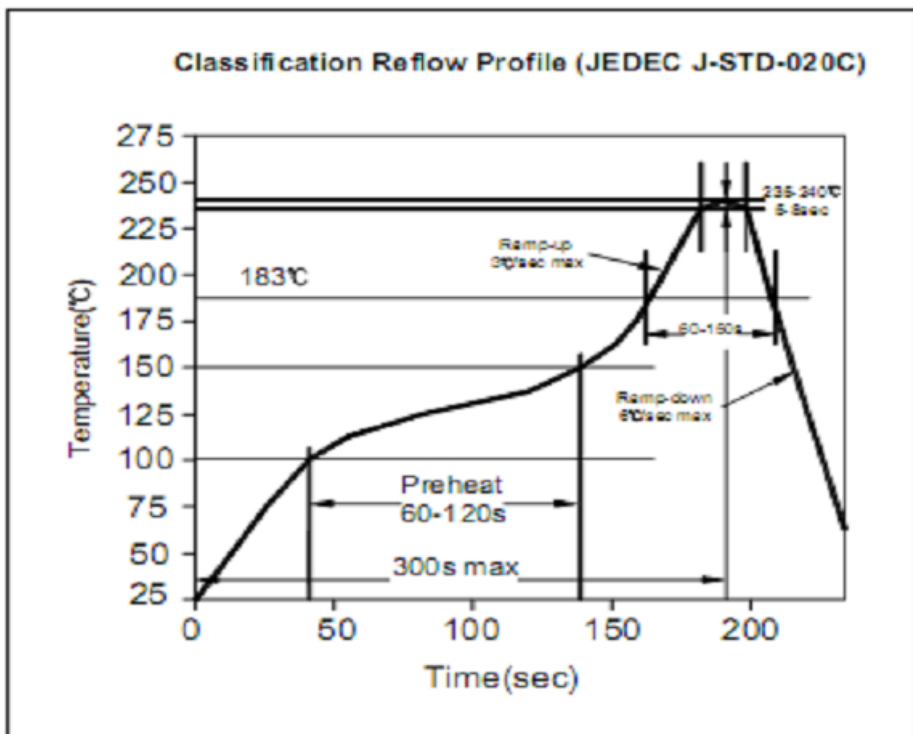
Part No.: **Q12009**

DRW:	Jason	CHKD	Wilson	MATL:	Wilson	TOLERANCE	Mason	DATE	21.10.2016
APPD:	Schumi			FINISH	Jamy		Sheet No.		2 from 3

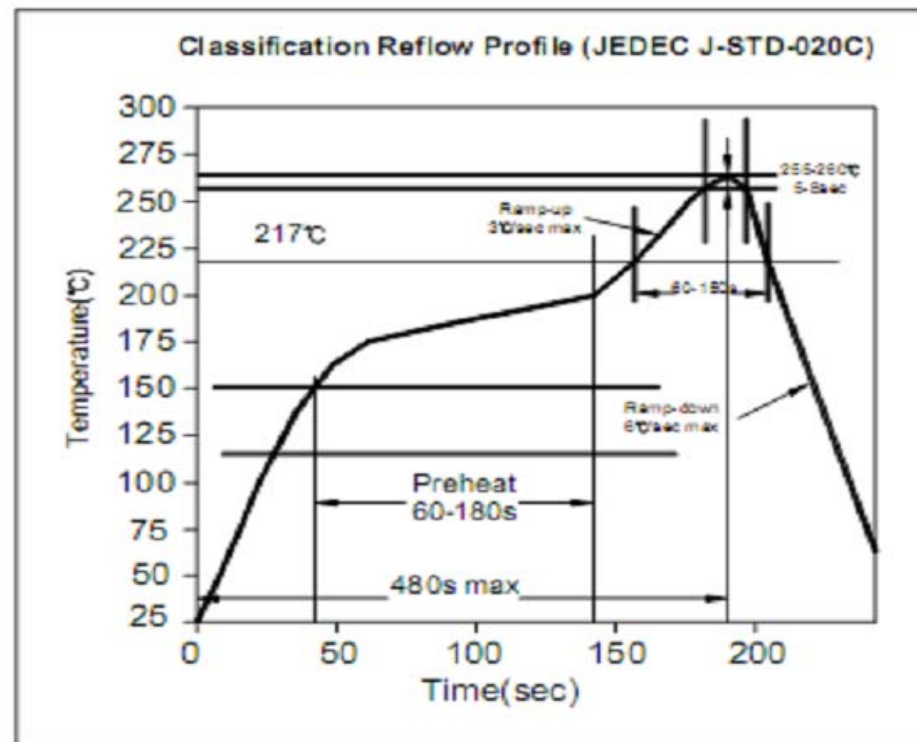
Customer:



## Soldering Profile for Lead Soldering



## Soldering Profile for Lead Free Soldering



**Tact Switch 4,50 x 3,30mm**

Part No.: **Q12009**

DRW:	Jason	CHKD	Wilson	MATL:	Wilson	TOLERANCE	Mason	DATE	21.10.2016
APPD:	Schumi			FINISH	Jamy		Sheet No.		32 from 3

Customer: