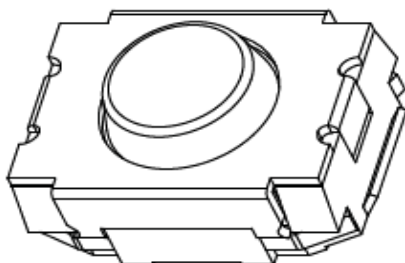


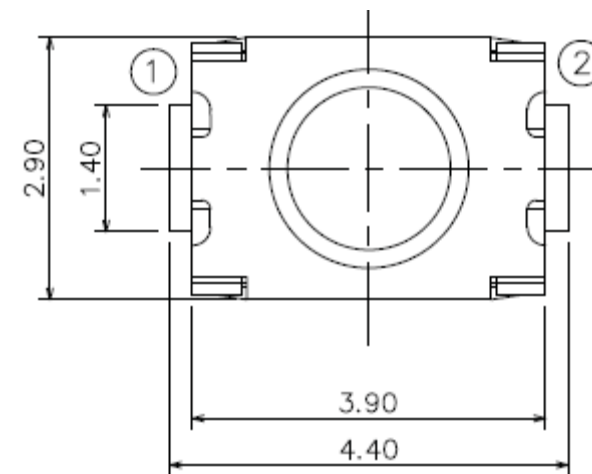
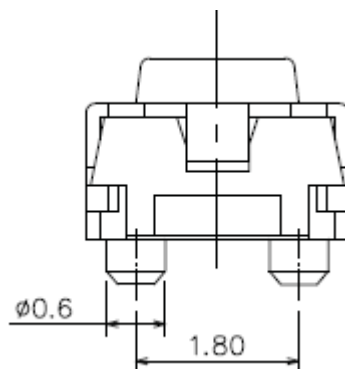
EDCON-COMPONENTS



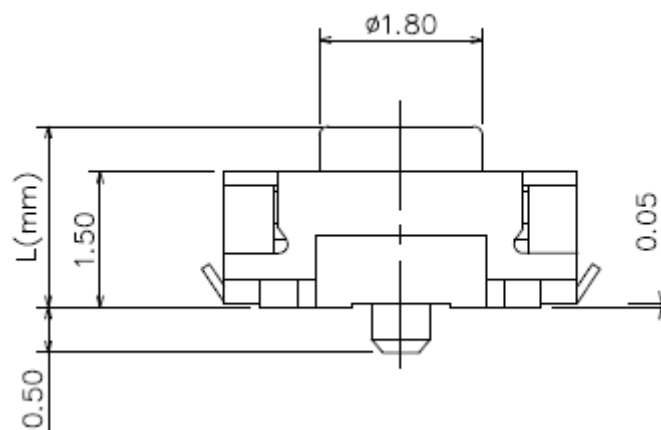
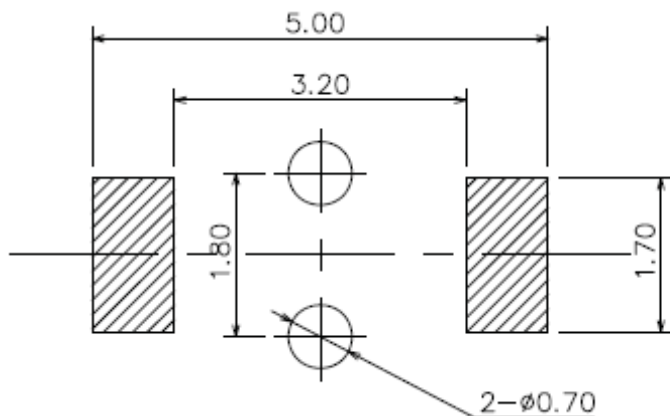
SPECIFICATION:

Current Rating: 50mA / 12VDC
 Insulator Resistance: 100M Ohm min 100VDC
 Dielectric Withstanding: 250VAC for 1 min.
 Operating Temperature: - 30°C ~ +85°C
 Contact Resistance: 100m Ohm max.
 Travel: 0,20 / +-0,1mm

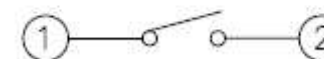
Drawing



P.C.B Layout



Circuit diagram



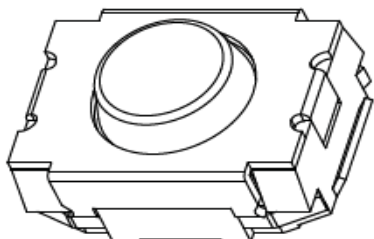
Tact Switch 3,90 x 2,90mm

Part No.: **Q12006**

Customer:

DRW:	Jason	CHKD	Wilson	MATL:	Wilson	TOLERANCE	Mason	DATE	01.07.2016
APPD:	Schumi			FINISH	Jamy		Sheet No.	1 from 3	

EDCON-COMPONENTS



Ordering Informations

Serie	Total height w. Body	Fill with 0	Operating Force	Polarisation Peg	Electrical life	Fill with 0	ROHS	Packing		
Q12006	020	X	160	Y	104	X	R	TR		

020 = 2,0mm
025 = 2,5mm

	N = without Peg	104 = 100000 Cycles
181 = 180gr	Y = with Peg	
251 = 250gr		

N = non ROHS	BU = Bulk Ware
R = ROHS conform	TY = Tray Packing
	TR = Tape/Reel Packing

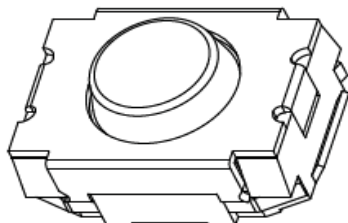
Tact Switch 3,90 x 2,90mm

Part No.: **Q12006**

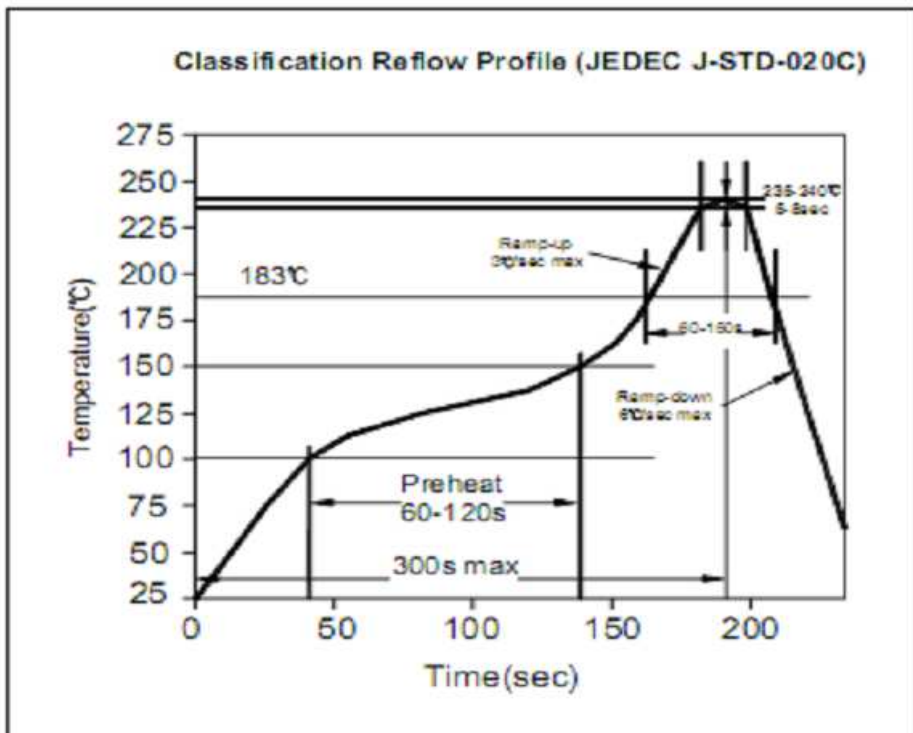
DRW:	Jason	CHKD	Wilson	MATL:	Wilson	TOLERANCE	Mason	DATE	02.02.2008
APPD:	Schumi			FINISH	Jamy		Sheet No.		2 from 3

Customer:

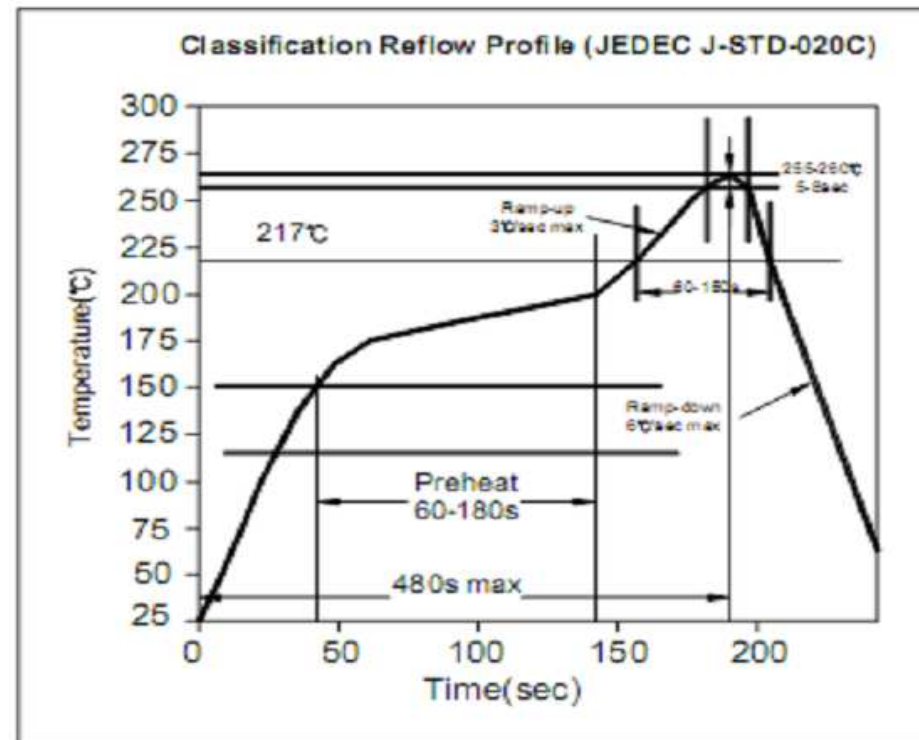
EDCON-COMPONENTS



Soldering Profile for Lead Soldering



Soldering Profile for Lead Free Soldering



Tact Switch 3,90 x 2,90mm

Part No.: **Q12006**

DRW:	Jason	CHKD	Wilson	MATL:	Wilson	TOLERANCE	Mason	DATE	01.07.2016	Customer:
APPD:	Schumi			FINISH	Jamy		Sheet No.	3 from 3		

www.edcon-components.com

email: info@edcon-components.com

Copyright by S.Tiede