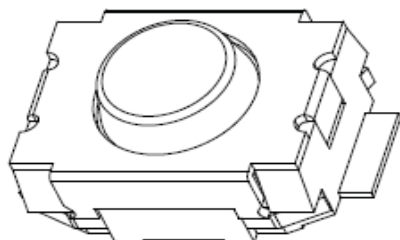


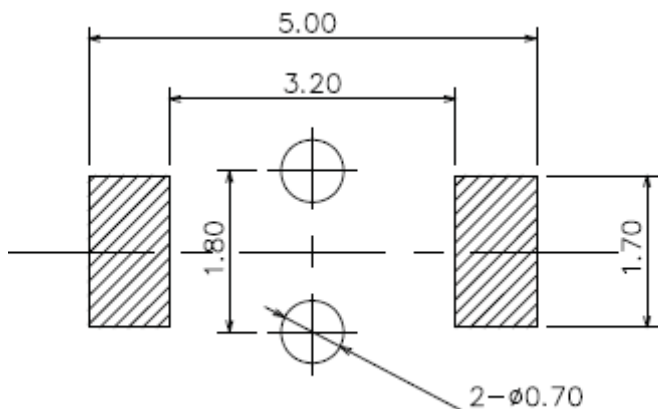
# EDCON-COMPONENTS



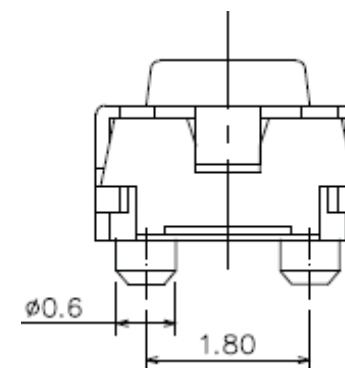
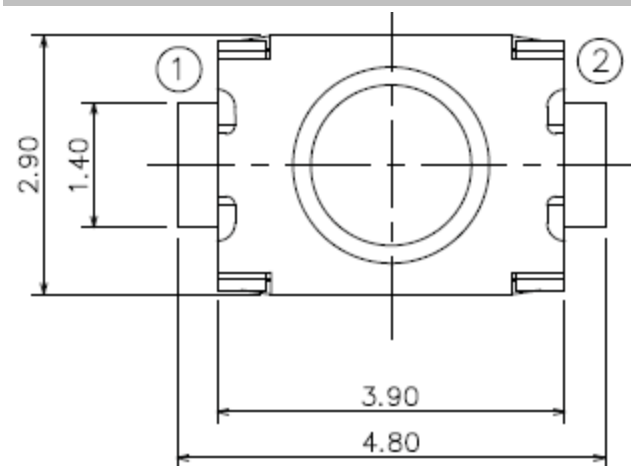
## SPECIFICATION:

Current Rating: 50mA / 12VDC  
 Insulator Resistance: 100M Ohm min 100VDC  
 Dielectric Withstanding: 250VAC for 1 min.  
 Operating Temperature: - 30°C ~ +85°C  
 Contact Resistance: 100m Ohm max.  
 Travel: 0,2 / +-0,1mm

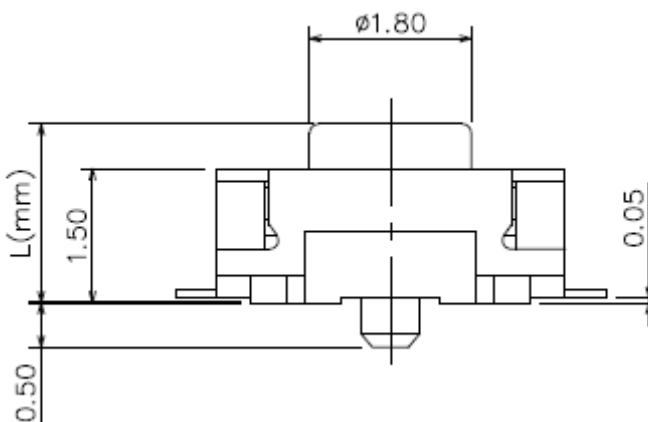
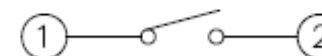
## P.C.B Layout



## Drawing



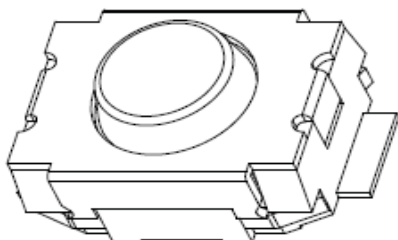
Circuit diagram



<b>Tact Switch 3,90 x 2,90mm</b>	
Part No.:	<b>Q12005</b>
Customer:	

DRW:	Jason	CHKD	Wilson	MATL:	Wilson	TOLERANCE	Mason	DATE	01.07.2016
APPD:	Schumi			FINISH	Jamy		Sheet No.	1 from 3	

# EDCON-COMPONENTS



## Ordering Informations

Serie	Total height w. Body	Fill with 0	Operating Force	Polarisation Peg	Electrical life	Fill with 0	ROHS	Packing		
<b>Q12005</b>	<b>020</b>	<b>X</b>	<b>161</b>	<b>Y</b>	<b>104</b>	<b>X</b>	<b>R</b>	<b>TR</b>		

<b>020</b> = 2,0mm
<b>025</b> = 2,5mm

	<b>N</b> = without Peg	<b>104</b> = 100000 Cycles
<b>181</b> = 180gr	<b>Y</b> = with Peg	
<b>251</b> = 250gr		

<b>N</b> = non ROHS	<b>BU</b> = Bulk Ware
<b>R</b> = ROHS conform	<b>TY</b> = Tray Packing
	<b>TR</b> = Tape/Reel Packing

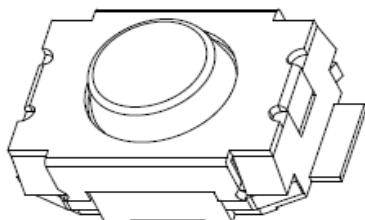
**Tact Switch 3,90 x 2,90mm**

Part No.: **Q12005**

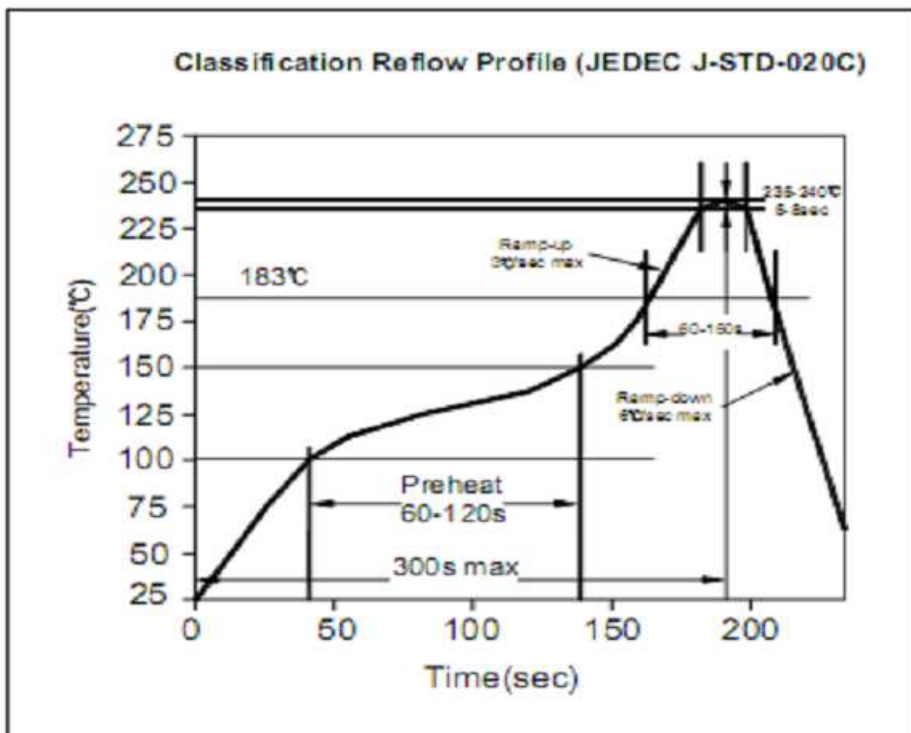
DRW:	Jason	CHKD	Wilson	MATL:	Wilson	TOLERANCE	Mason	DATE	01.07.2016
APPD:	Schumi			FINISH	Jamy		Sheet No.		2 from 3

Customer:

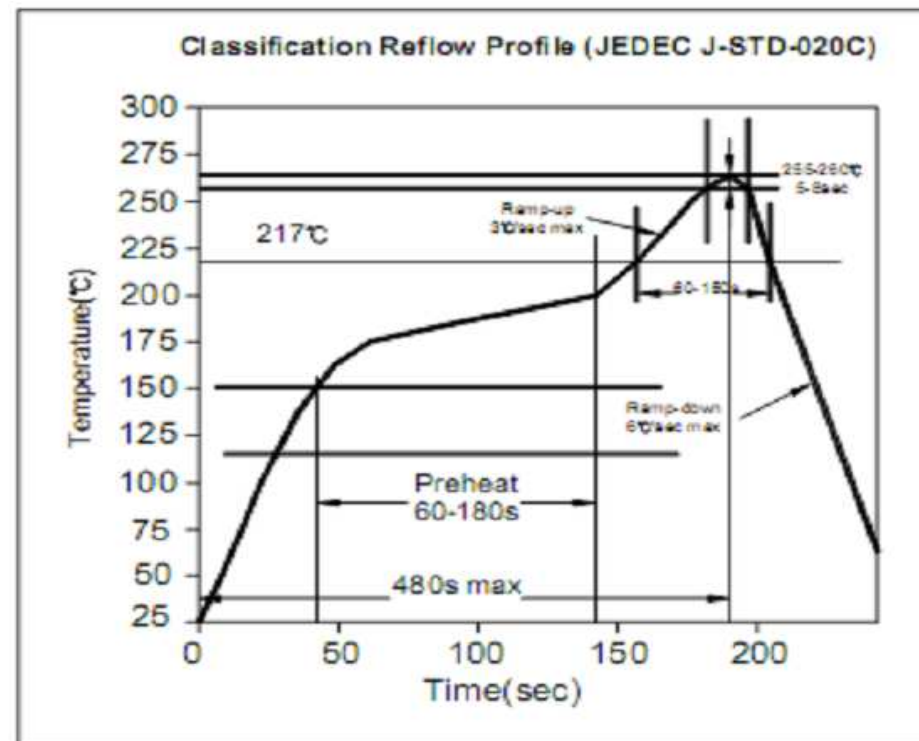
# EDCON-COMPONENTS



## Soldering Profile for Lead Soldering



## Soldering Profile for Lead Free Soldering



**Tact Switch 3,90 x 2,90mm**

Part No.: **Q12005**

DRW:	Jason	CHKD	Wilson	MATL:	Wilson	TOLERANCE	Mason	DATE	01.07.2016
APPD:	Schumi			FINISH	Jamy		Sheet No.	3 from 3	Customer:

[www.edcon-components.com](http://www.edcon-components.com)

email: [info@edcon-components.com](mailto:info@edcon-components.com)