

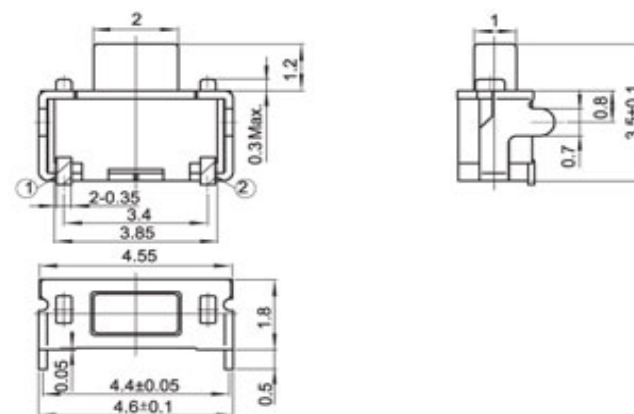
EDCON-COMPONENTS



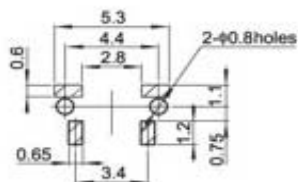
SPECIFICATION:

Current Rating: 50mA / 12VDC
 Insulator Resistance: 100M Ohm min 100VDC
 Dielectric Withstanding: 250VAC for 1 min.
 Operating Temperature: -30°C ~ +85°C
 Contact resistance: 100m Ohm max.
 Travel: 0,15 / +- 0,05mm

Drawing



P.C.B Layout



Tact Switch 4,60 x 1,80 x 3,50mm

Part No.: **Q12004**

DRW:	Jason	CHKD	Wilson	MATL:	Wilson	TOLERANCE	Mason	DATE	02.02.2008	Customer:
APPD:	Schumi			FINISH	Jamy		Sheet No.	1 from 3		

EDCON-COMPONENTS



Ordering Informations

Serie	Total height w. Body	Fill with 0	Operating Force	Polarisation Peg	Electrical life	Fill with 0	ROHS	Packing		
Q12004	035	X	090	N	504	X	R	TRxxx		

035= 3,5mm

090 = 90gr	N = without Peg	504 = 500000 Cycles
181 = 180gr	Y = with Peg	
251 = 250gr		

N = non ROHS	BU = Bulk Ware
R = ROHS conform	TY = Tray Packing
	TR102 = Tape/Reel Packing 1000PCS

Tact Switch 4,60 x 1,80 x 3,50mm

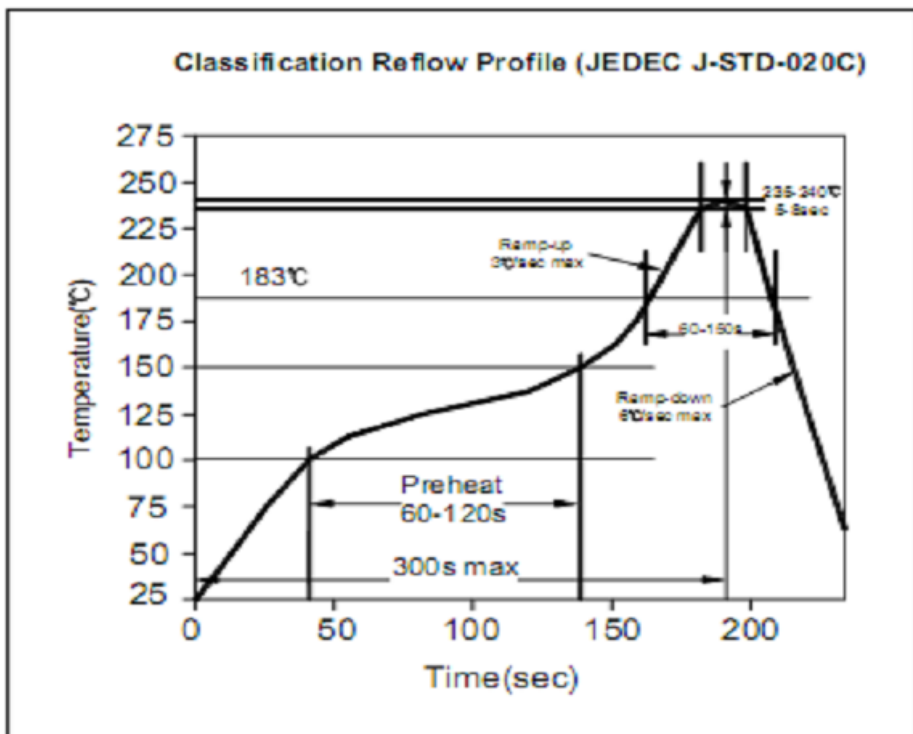
Part No.: **Q12004**

DRW:	Jason	CHKD	Wilson	MATL:	Wilson	TOLERANCE	Mason	DATE	02.02.2008
APPD:	Schumi			FINISH	Jamy		Sheet No.	2 from 3	

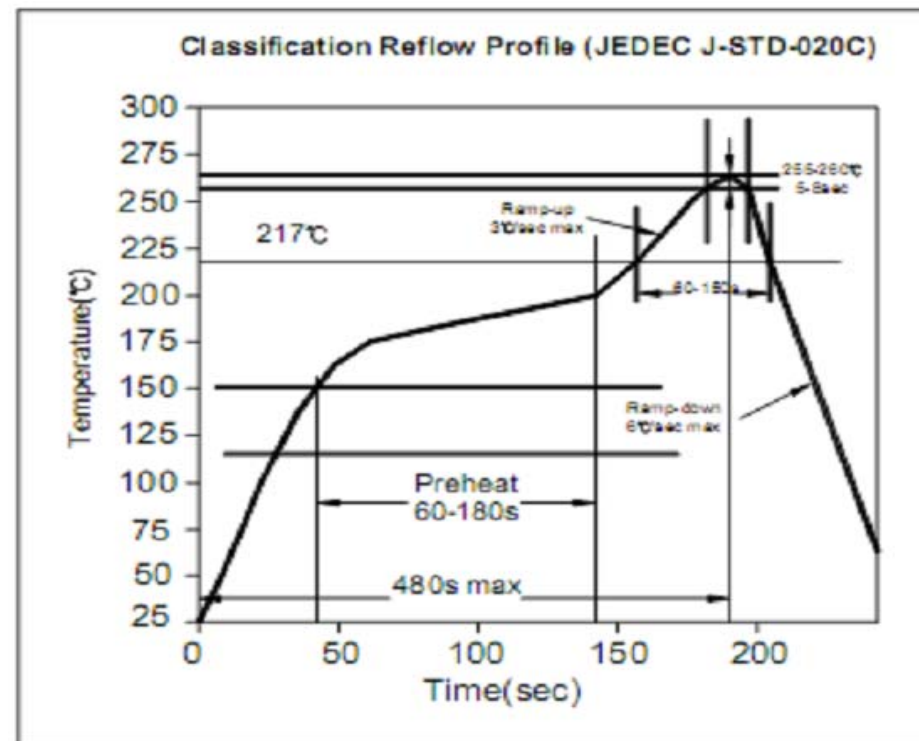
Customer:



Soldering Profile for Lead Soldering



Soldering Profile for Lead Free Soldering



Tact Switch 4,60 x 1,80 x 3,50mm

Part No.: **Q12004**

DRW:	Jason	CHKD	Wilson	MATL:	Wilson	TOLERANCE	Mason	DATE	02.02.2008	Customer:
APPD:	Schumi			FINISH	Jamy		Sheet No.	3 from 3		