

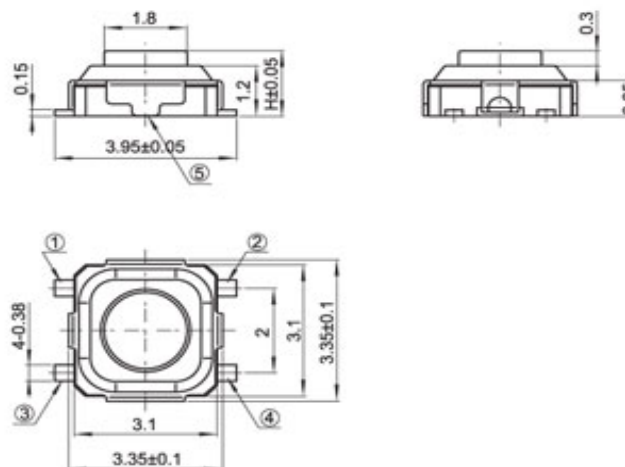
EDCON-COMPONENTS



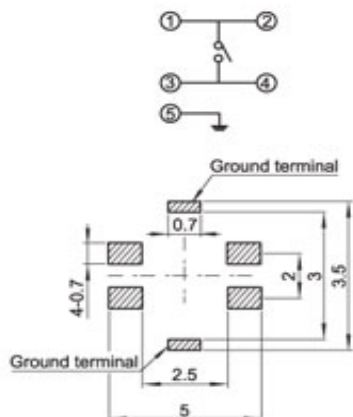
SPECIFICATION:

Current Rating: 50mA / 12VDC
 Insulator Resistance: 100M Ohm min 100VDC
 Dielectric Withstanding: 250VAC for 1Min.
 Operating Temperature: -30°C ~ +85°C
 Contact Resistance: 100m Ohm max.
 Travel: 0,13 / +- 0,05mm

Drawing



P.C.B Layout



Tact Switch 3,35x3,35mm

Part No.: **Q12002**

Customer:

DRW:	Jason	CHKD	Wilson	MATL:	Wilson	TOLERANCE	Mason	DATE	02.02.2008
APPD:	Schumi			FINISH	Jamy		Sheet No.	1 from 3	

EDCON-COMPONENTS



Ordering Informations

Serie	Total height w. Body	Fill with 0	Operating Force	Polarisation Peg	Electrical life	Fill with 0	ROHS	Packing		
Q12002	015	X	090	N	104	X	R	TR102		

020 = 2,0mm
015 = 1,5mm

090 = 90gr	N = without Peg	104 = 10000 Cycles
181 = 180gr	Y = with Peg	
251 = 250gr		

N = non ROHS	BU = Bulk Ware
R = ROHS conform	TY = Tray Packing
	TR102 = Tape/Reel Packing 1000PCS

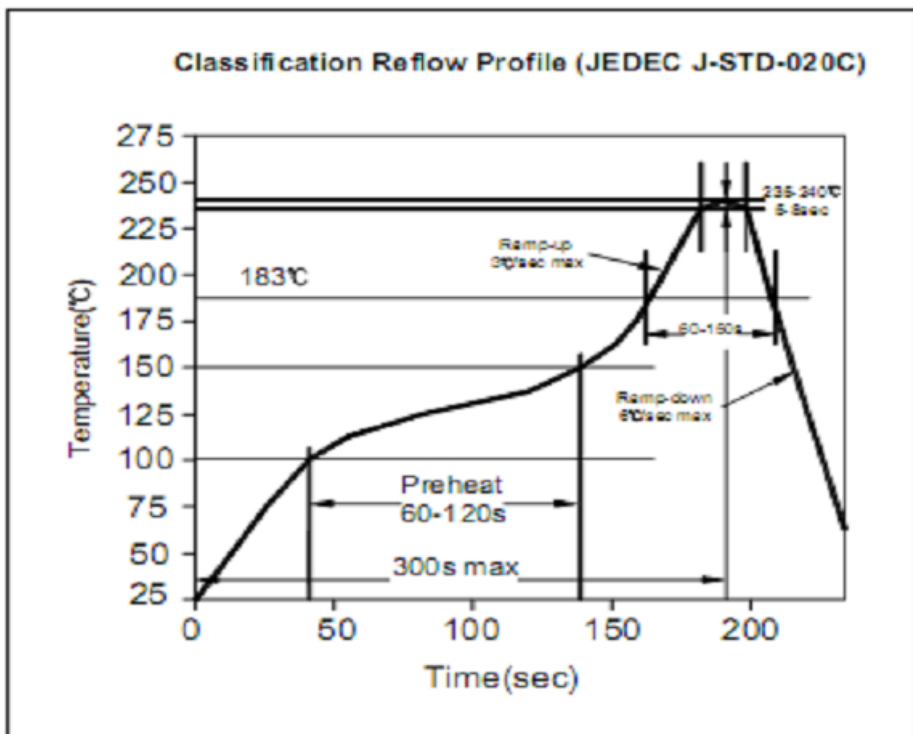
Tact Switch 3,35x3,35mm

Part No.: **Q12002**

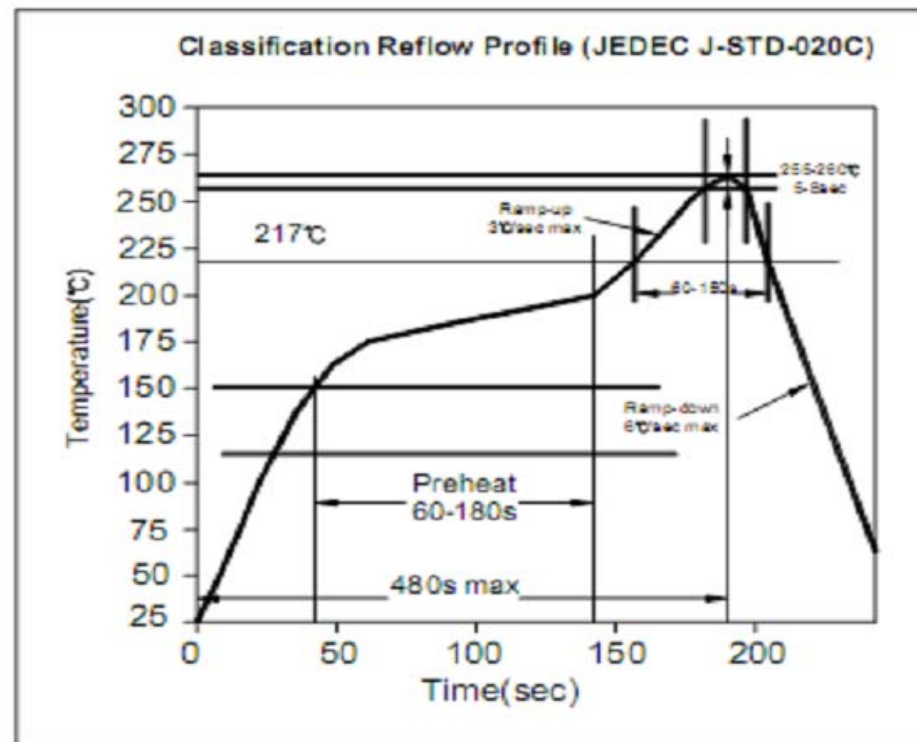
DRW:	Jason	CHKD	Wilson	MATL:	Wilson	TOLERANCE	Mason	DATE	02.02.2008
APPD:	Schumi			FINISH	Jamy		Sheet No.	2 from 3	Customer:



Soldering Profile for Lead Soldering



Soldering Profile for Lead Free Soldering



Tact Switch 3,35x3,35mm

Part No.: **Q12002**

DRW:	Jason	CHKD	Wilson	MATL:	Wilson	TOLERANCE	Mason	DATE	02.02.2008
APPD:	Schumi			FINISH	Jamy		Sheet No.	3 from 3	Customer:

www.edcon-components.com

email: info@edcon-components.com