

Data Sheet

Pluggable Terminal Block (Header)

Pitch: 5,00 mm

Serie: A14L087

Customer Information for special Item

EDCON Customer : 0

Customer Version No. : 0

EDCON-COMPONENTS



Technical Discription

Drawing (Dimension in mm)

Electrical

Rated Voltage IEC	320Volt
Rated Current IEC	12A
Rated Voltage UL	300Volt
Rated Current UL	15A
Withstanding Voltage	1,6KV
Impuõs Withstanding Voltage	4KV
Insulation Resistance	5000MmΩ / 1000V

Mechanical

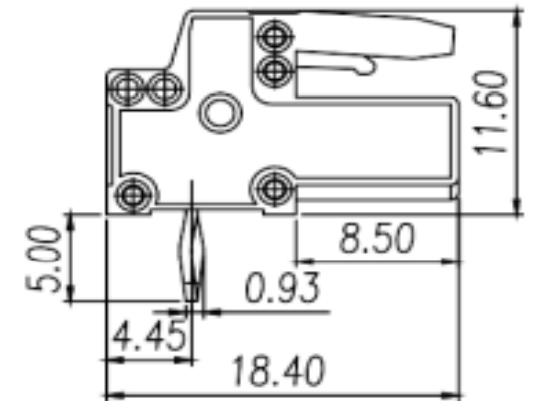
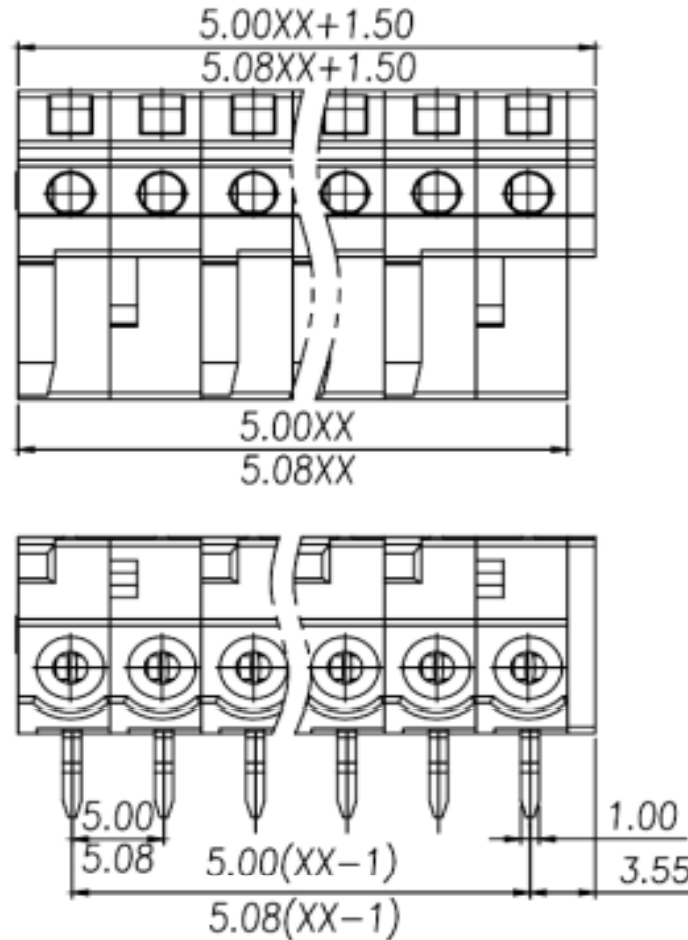
Operating Temperature	. -40°C ~ +105°C
-----------------------	------------------

Dimensions

Pitch (mm)	5,00
Poles	2 ~ 24 Pos.

Materials

Terminal Housing	PA66
Terminal:	Copper Alloy
Surface:	Tin Plated
Pin Header	Brass Tin Plated
Pin Dimenson	0,6x1,0mm



Pluggable Terminal Block (Header)

Part No.: **A14L087**

Customer:

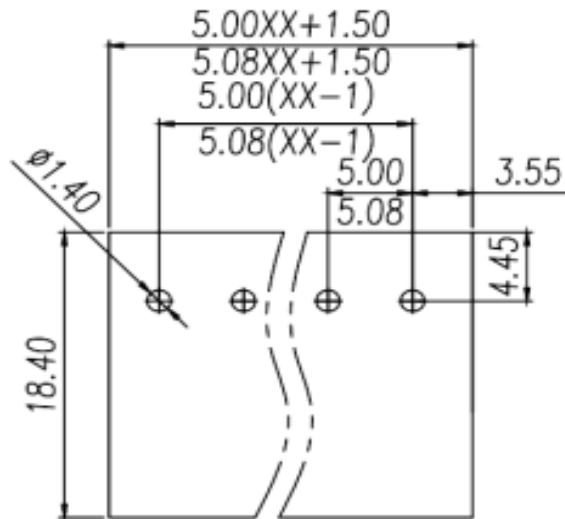
DRW:	Jason	CHKD	Wilson	MATL:	Wilson	TOLERANCE	Mason	DATE	16.05.2024
APPD:	Schumi			FINISH	Jamy		Sheet No.		1 from 4

EDCON-COMPONENTS



PCB Layout

Dimensions (mm)



No. of Pos.	A	Tol. A	B	Tol. B
02	10,00	± 0,15	5,00	± 0,15
03	15,00	± 0,15	10,00	± 0,15
04	20,00	± 0,15	15,00	± 0,15
05	25,00	± 0,15	20,00	± 0,15
06	30,00	± 0,15	25,00	± 0,15
07	35,00	± 0,20	30,00	± 0,20
08	40,00	± 0,20	35,00	± 0,20
09	45,00	± 0,20	40,00	± 0,20
10	50,00	± 0,20	45,00	± 0,20
11	55,00	± 0,20	50,00	± 0,20
12	60,00	± 0,20	55,00	± 0,20
13	65,00	± 0,25	60,00	± 0,25
14	70,00	± 0,25	65,00	± 0,25
15	75,00	± 0,25	70,00	± 0,25
16	80,00	± 0,25	75,00	± 0,25
17	85,00	± 0,25	80,00	± 0,25
18	90,00	± 0,25	85,00	± 0,25
19	95,00	± 0,30	90,00	± 0,30
20	100,00	± 0,30	95,00	± 0,30
21	105,00	± 0,30	100,00	± 0,30
22	110,00	± 0,30	105,00	± 0,30
23	115,00	± 0,30	110,00	± 0,30
24	120,00	± 0,30	115,00	± 0,30

**Pluggable Terminal Block
(Header)**

Part No.: **A14L087**

Customer:

DRW:	Jason	CHKD	Wilson	MATL:	Wilson	TOLERANCE	Mason	DATE	16.05.2024
APPD:	Schumi			FINISH	Jamy		Sheet No.		2 from 4

www.edcon-components.com

email: info@edcon-components.com

EDCON-COMPONENTS



Ordering Informations

Serie	No. of Pos.	Body Color	No Function	Approval Code	ROHS	Packing	EDCON Cust. No.	Customer Version		
-------	-------------	------------	-------------	---------------	------	---------	-----------------	------------------	--	--

A14L087	02	GY	N	N	R	B				
----------------	-----------	-----------	----------	----------	----------	----------	--	--	--	--

Pitch
5,00

02= Number of Pos.		N= No function	N= NON Approval	R= ROHS Conform	B= Bulk-Ware	xxxxxx= Customer Number	xxx= Customer Version ??(Printing)
Standard 2 ~ 24 Pos.			A= UL /UR Approval Please consult EDCON for available	N= NON ROHS Conform	I= Individual Package		
	GY= Gray		B= VDE Approval Please consult EDCON for available				
	LG= Light Gray		C= TÜV Approval Please consult EDCON for available				
	OR= Orange						

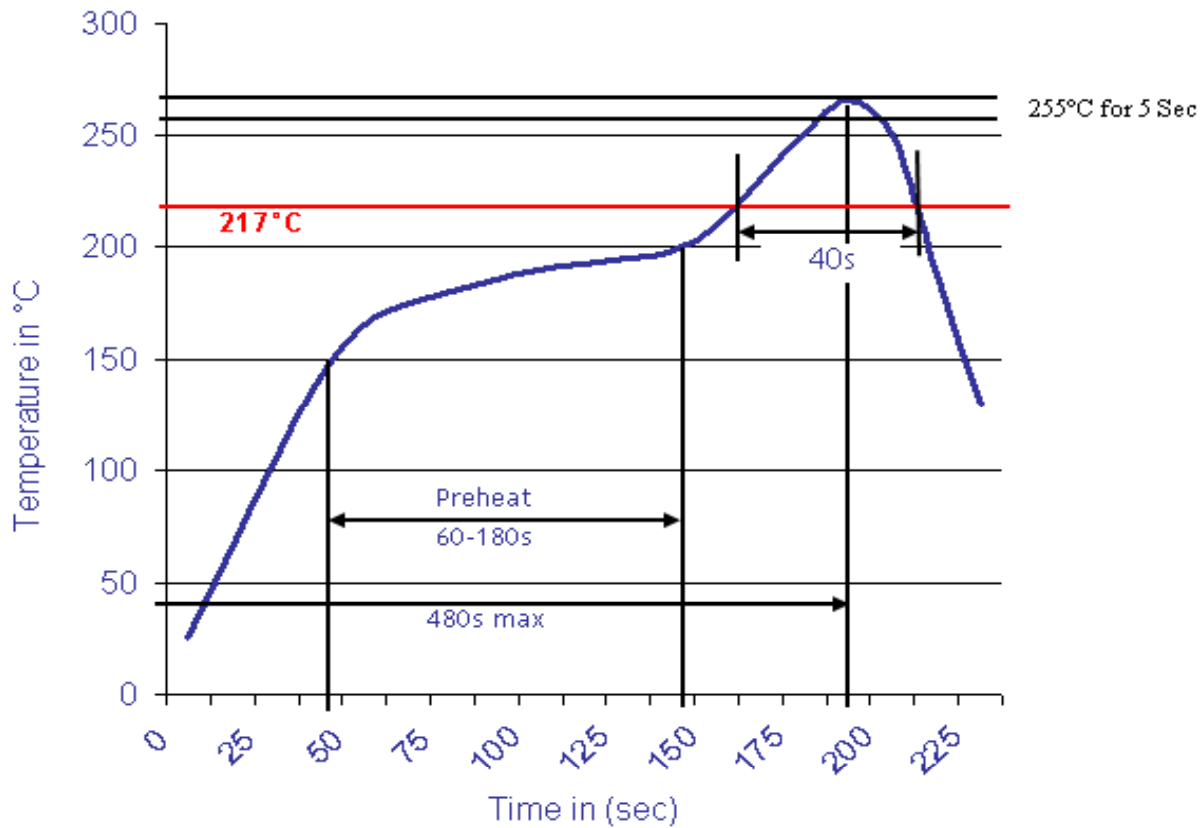
Pluggable Terminal Block (Header)
Part No.: A14L087
Customer:

DRW:	Jason	CHKD	Wilson	MATL:	Wilson	TOLERANCE	Mason	DATE	16.05.2024
APPD:	Schumi			FINISH	Jamy		Sheet No.		3 from 4



Soldering Profile Curve

Classification Reflow Profile (JEDEC J-STD-020C)



Pluggable Terminal Block (Header)	
Part No.:	A14L087
Customer:	

DRW:	Jason	CHKD	Wilson	MATL:	Wilson	TOLERANCE	Mason	DATE	16.05.2024
APPD:	Schumi			FINISH	Jamy		Sheet No.		4 from 4