

EDCON-COMPONENTS



Q26008

Informations

Terminal plating by gold gives excellent results when soldering
 Low contact resistance, and self-clean on contact area.
 Double contact offer high reliability.
 All materials are UL94V-0 grade fire retardent plastics.
 Two Styles LEG S= SOP Terminal and J= SOJ Terminal

Technical Specifications:

ELECTRICAL:

Electrical life: 3000 operations per cycle switch
 Operating force: 1000gf max.
 Stroke: 2,0mm
 Operating Temperature: -25°C to + 70°C
 Storage Temperature: -40°C to +85°C
 Vibration Test: MIL-STD-202F Method 213B
 Frequency: 10-55Hz/1 min.
 Directions: X,YZ three mutually perpendicular directions
 Time: 2hours each direction
 High reliability

SOLDERING AND CLEANING PROCESS

For best results, please follow these recommendations:
 Keep all switch contacts in their "OFF" positions for all operations.

WAVE SOLDERING:

Recommended solder temperature at (250°C)
 max. 10 seconds.

HAND SOLDERING:

Use a soldering iron of 30watts, controlled at 608F (320°C)
 approximately 2 seconds while applying solder.

CLEANING PROCESS:

Flux clean using force rinse, high agitation or triple bath cleaning method. Freon TF or TE give excellent results.
 When capor methods are used, do not subject the switch to solvent at temperature above 125 F (51°C).

Item	Description	Materials	Treatment
1	Base	PBT UL94V0	Black
2	Cover	PBT UL94V0	Black
3	Actuator	PPA UL94-V0	White
4	Terminal Cont.	Brass	Tin-Lead
5			
6			

Dimension Table

Pos.	A	B
2	7,37	2,54
3		
4	12,45	7,62
5		
6	17,53	12,7
7		
8	22,61	17,78
9		
10	27,69	22,86
12		

SMT DIP-SWITCH	
Part No.:	Q26008
Customer:	

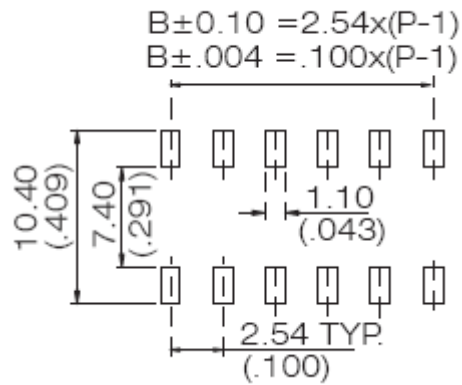
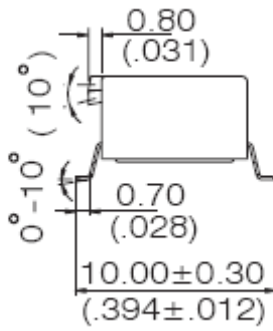
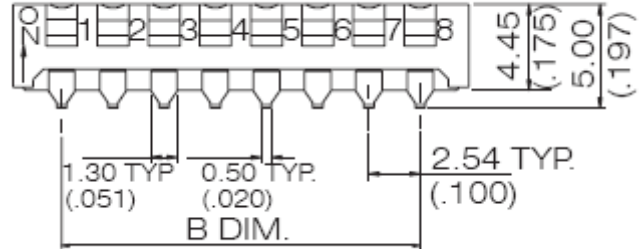
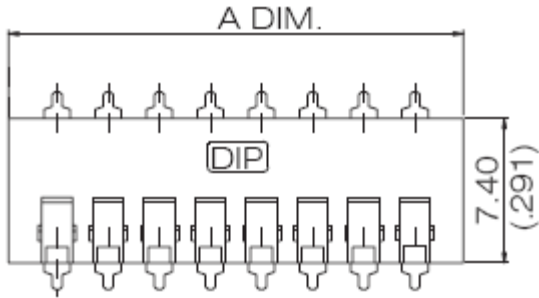
DRW:	Jason	CHKD	Wilson	MATL:	Wilson	DATE	03.05.2009
APPD:	Jason			FINISH	Jamy	Sheet	1 from 3

Copyright by EDCON-COMPONENTS H.Schmitt 11.6.2009

EDCON-COMPONENTS



Technical Drawing:



SMT DIP-SWITCH	
Part No.:	Q26008
Customer:	

DRW:	Jason	CHKD	Wilson	MATL:	Wilson	DATE	03.05.2009
APPD:	Jason			FINISH	Jamy	Sheet	2 from 3

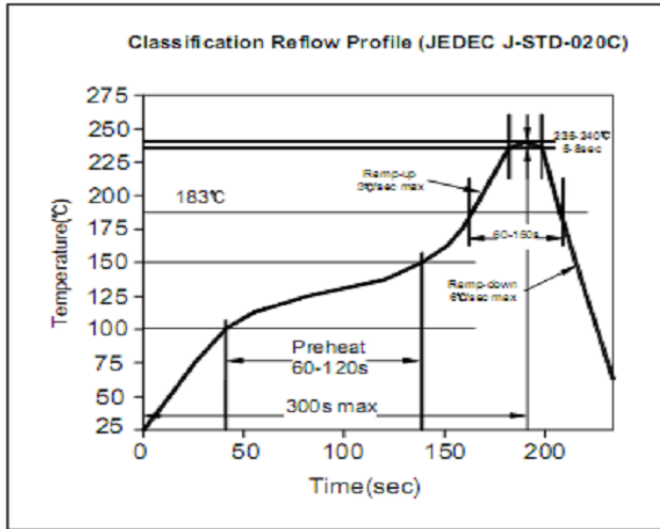
Copyright by EDCON-COMPONENTS H.Schmitt 11.6.2009

EDCON-COMPONENTS

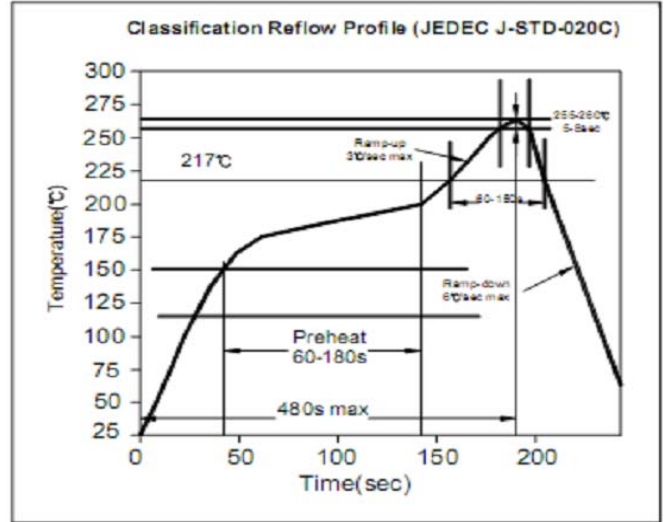


Solder Profile

Lead Solder



Lead free Solder



Ordering Informations:

Item-No.	Circuit	Actuator	Body Color	Function	ROHS	Packing
Q26008	2	L	BK	S	R	TR

2,4,6,8,10 available	L = Long Actuator	BK = Black	S = SOP Terminal	R = ROHS	TU = Tube (Standard)
3,5,7,9,12 plant	S = Short Actuator			N = Non ROHS	TR = Tape / Reel

SMT DIP-SWITCH	
Part No.:	Q26008
Customer:	

DRW:	Jason	CHKD	Wilson	MATL:	Wilson	DATE	03.05.2009
APPD:	Jason			FINISH	Jamy	Sheet	3 from 3

Copyright by EDCON-COMPONENTS H.Schmitt 11.6.2009