

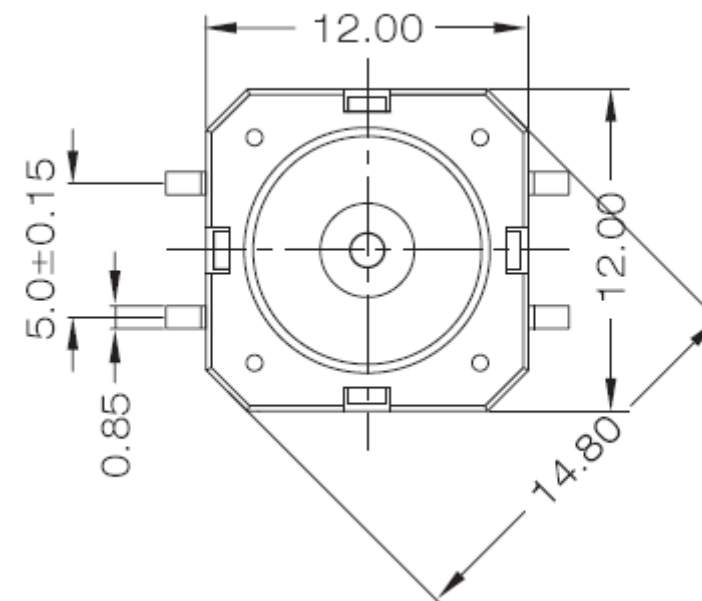
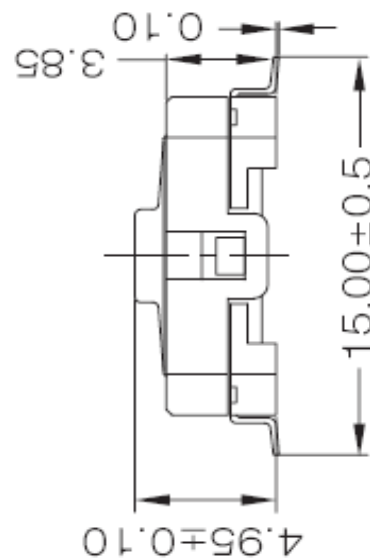
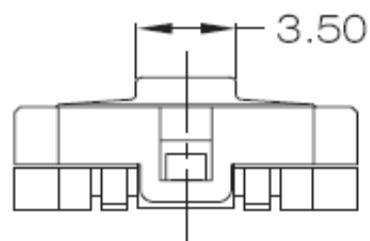
EDCON-COMPONENTS



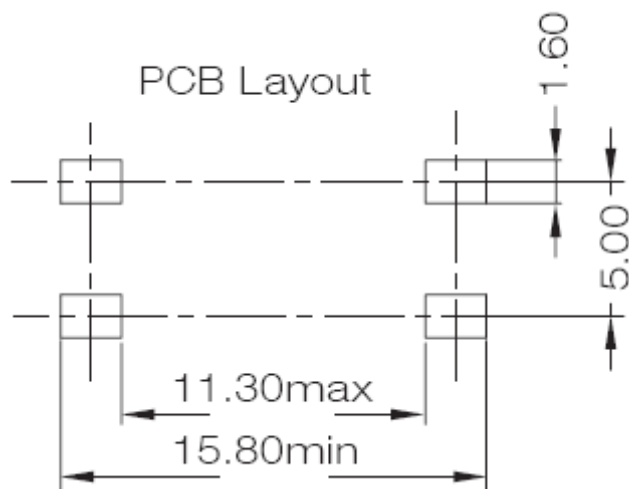
SPECIFICATION:

Voltage Rating:	AC/DC 42V
Current Rating:	100mA
Mechanical Life:	1.000.000
Contact Resistance:	100m Ω max. (initial)
Insulation Resistance:	1000M Ω min. 100VDC
Dielectric Strength:	250VAC/1min.
Operating Temperature:	.-40°C ~ +80°C

Drawing



P.C.B Layout



Alternative Tact Switch

Part No.: **Q12090**

Customer:

DRW:	Jason	CHKD	Wilson	MATL:	Wilson	TOLERANCE	Mason	DATE	15.03.2013
APPD:	Schumi			FINISH	Jamy		Sheet No.	1 from 3	

EDCON-COMPONENTS



Ordering Informations

Serie	Total height w. Body	Stem Height	Operating Force	Polarisation Peg	Electrical life	Cap Option	ROHS	Packing		
Q12090	050	A	301	N	105	A0	R	TR		

050 = 5,0mm	A = 4,95mm	301 = 300gr	N = without Peg	105 = 1000000 Cycles	A0 = without cap	N = non ROHS	BU = Bulk Ware
	B = 6,30mm	601 = 600gr	Y = with Peg		A1 = Total Height 9,75mm	R = ROHS conform	TU = Tube Packing
					A2 = Total Height 12,5mm		TR = Tape/Reel Packing

Alternative Tact Switch

Part No.: **Q12090**

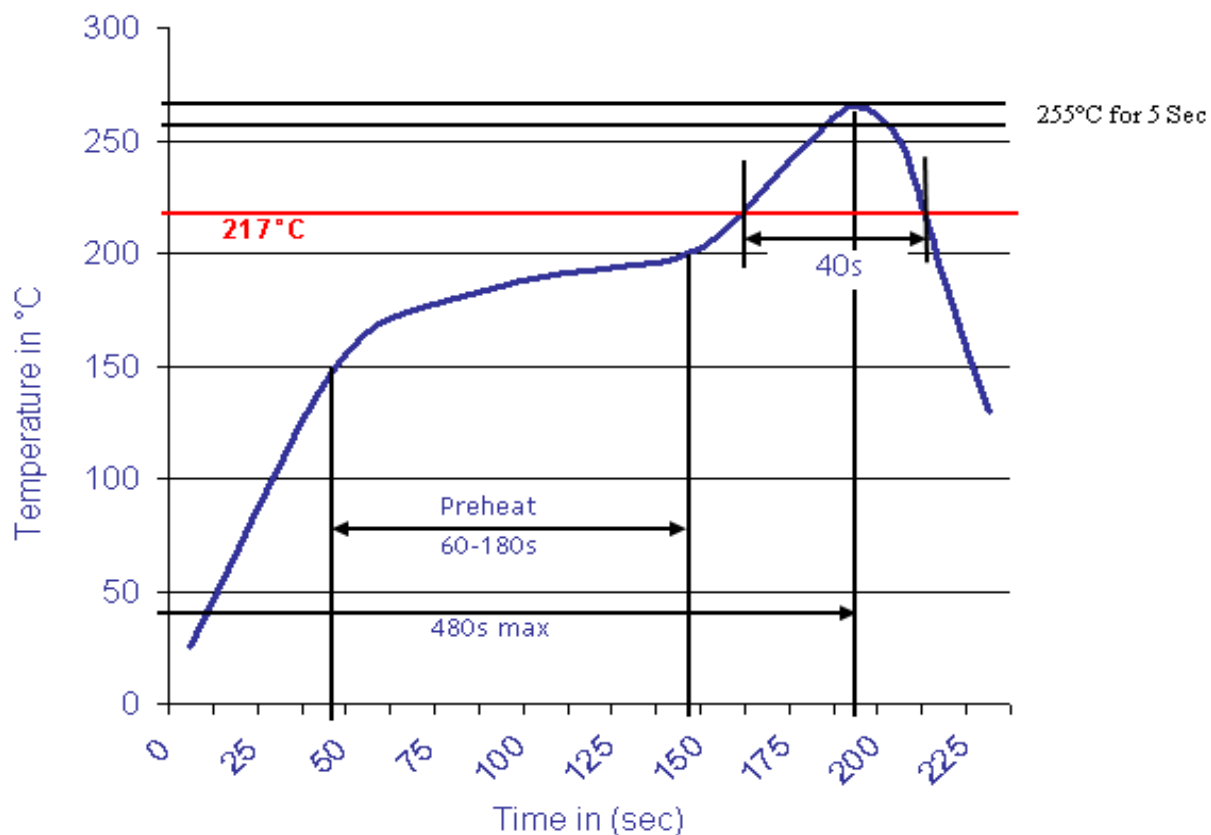
Customer:

DRW:	Jason	CHKD	Wilson	MATL:	Wilson	TOLERANCE	Mason	DATE	15.03.2013
APPD:	Schumi			FINISH	Jamy		Sheet No.		2 from 3



Soldering Profile Curve

Classification Reflow Profile (JEDEC J-STD-020C)



Alternative Tact Switch	
Part No.:	Q12090
Customer:	

DRW:	Jason	CHKD	Wilson	MATL:	Wilson	TOLERANCE	Mason	DATE	15.03.2013
APPD:	Schumi			FINISH	Jamy		Sheet No.	3 from 3	

