

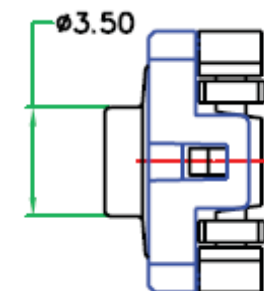
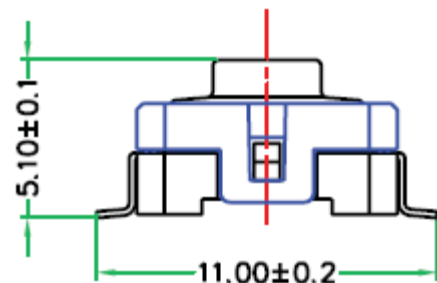
EDCON-COMPONENTS



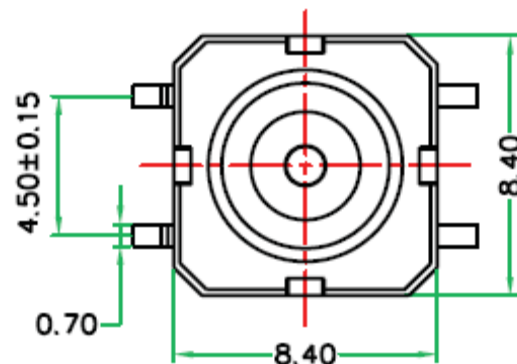
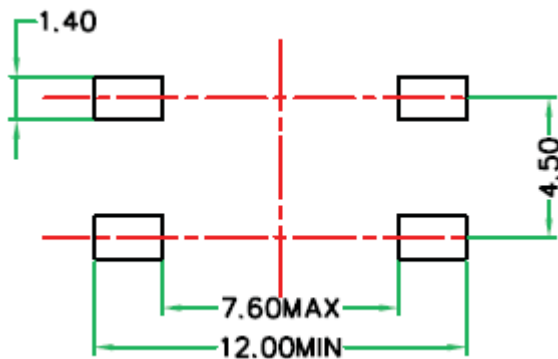
SPECIFICATION:

Voltage Rating:	AC/DC 42V
Current Rating:	100mA
Mechanical Life:	1.000.000
Contact Resistance:	100m Ω max. (initial)
Insulation Resistance:	1000M Ω min. 100VDC
Dielectric Strength:	250VAC/1mni.
Operating Temperature:	.-40°C ~ +80°C

Drawing



P.C.B Layout



Alternative to RAFI

Part No.: **Q12089**

Customer:

DRW:	Jason	CHKD	Wilson	MATL:	Wilson	TOLERANCE	Mason	DATE	04.03.2011
APPD:	Schumi			FINISH	Jamy		Sheet No.	1 from 3	

www.edcon-components.com

email: info@edcon-components.com

EDCON-COMPONENTS



Ordering Informations

Serie	Total height w. Body	Fill with 0	Operating Force	Polarisation Peg	Electrical life	Cap Option	ROHS	Packing		
Q12089	050	X	251	N	105	A	R	TR		

050 = 5,0mm	X = no function	251 = 250gr	N = without Peg	105 = 1000000 Cycles	A1 = Total Height 9,75mm	N = non ROHS	BU = Bulk Ware
			Y = with Peg		A2 = Total Height 12,55mm	R = ROHS conform	TU = Tube Packing
							TR = Tape/Reel Packing

Alternative to RAFI

Part No.: **Q12089**

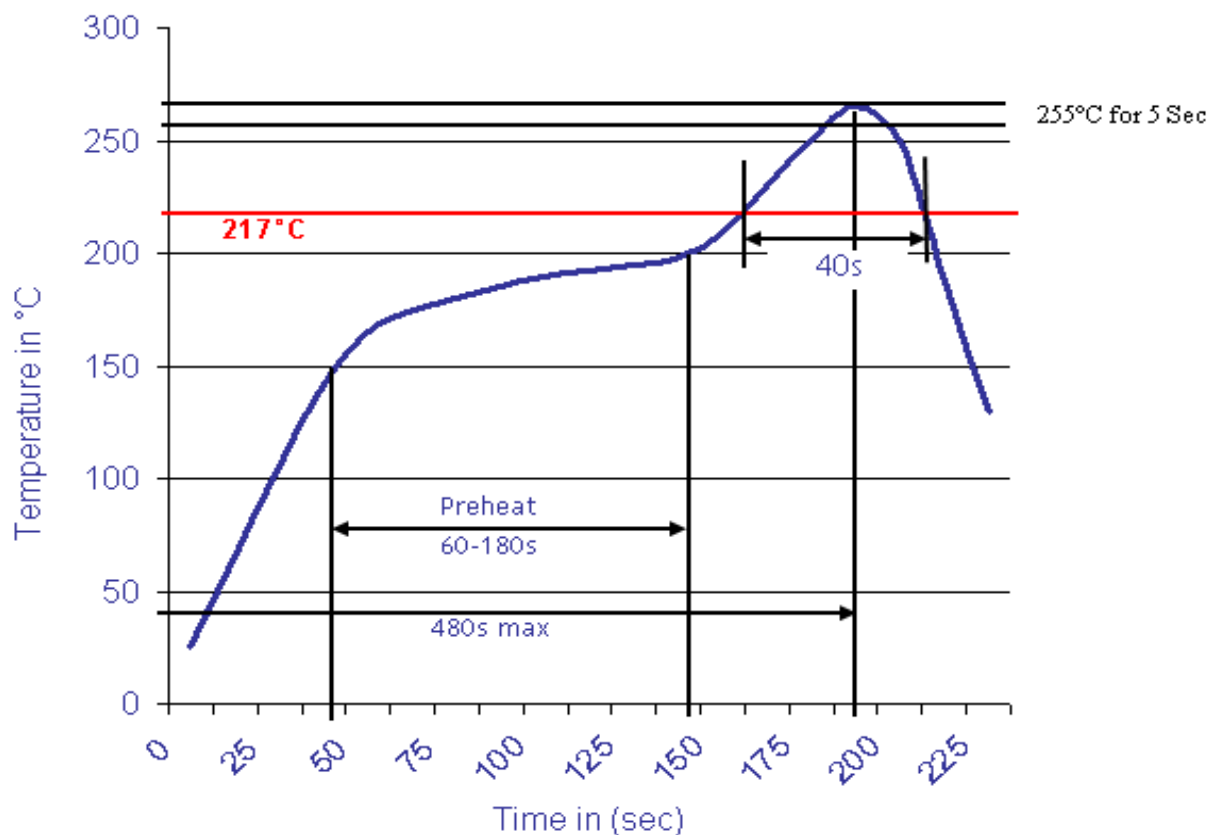
Customer:

DRW:	Jason	CHKD	Wilson	MATL:	Wilson	TOLERANCE	Mason	DATE	04.03.2011
APPD:	Schumi			FINISH	Jamy		Sheet No.	2 from 3	



Soldering Profile Curve

Classification Reflow Profile (JEDEC J-STD-020C)



Alternative to RAFI

Part No.: **Q12089**

DRW:	Jason	CHKD	Wilson	MATL:	Wilson	TOLERANCE	Mason	DATE	04.03.2011
APPD:	Schumi			FINISH	Jamy		Sheet No.	3 from 3	Customer:

