

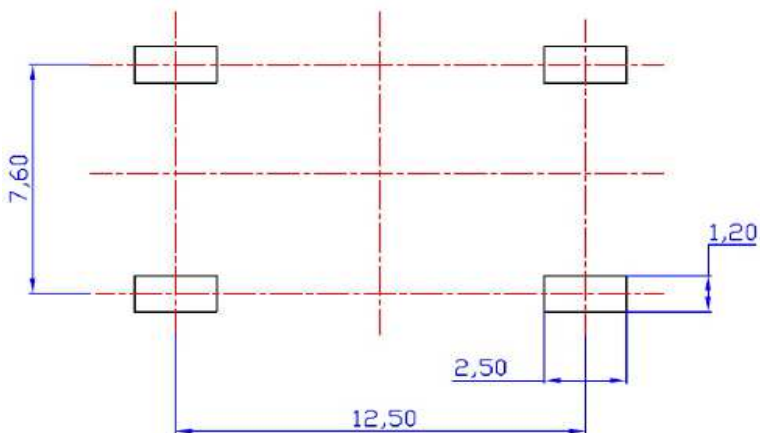
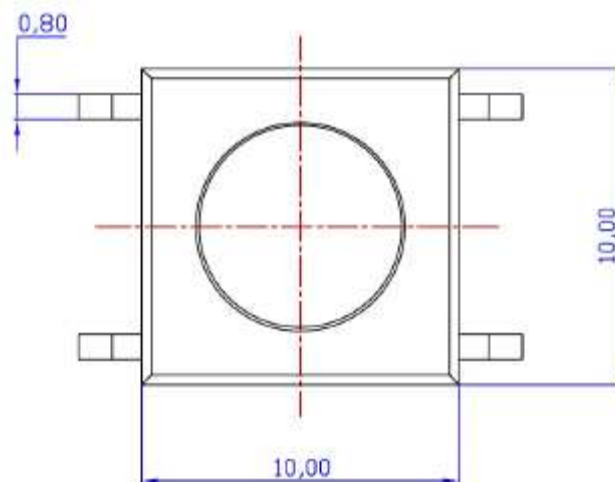
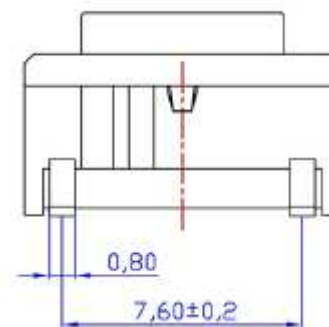
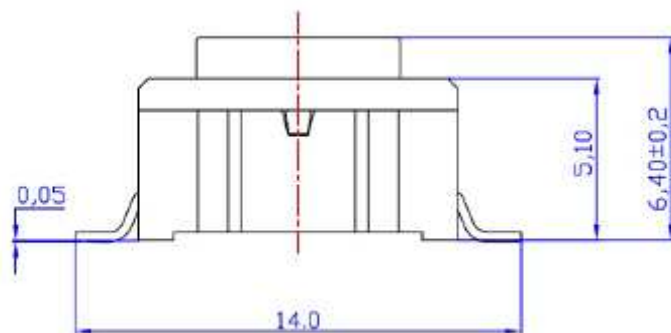
# EDCON-COMPONENTS



## SPECIFICATION:

Voltage Rating: 12VDC  
 Current Rating: 50mA  
 Mechanical Life: 1.000.000 cycles  
 Contact Resistance: 100m Ω max. (initial)  
 Insulation Resistance: 100M Ω min. 500VDC  
 Dielectric Voltage: 250VAC/1min.  
 Operating Temperature: -40°C ~ +80°C  
 Travel: 0,3mm / +0,2/ -0,1mm  
 Waterproof:  
 Terminal: C2680 y2  
 Film-cover: 3M #5  
 Silica Gel cover: silica gel  
 Contact: stainless steel

## Drawing



**SMT Tact Switch  
10x10mm**

Part No.: **Q12023**

Customer:

DRW:	Jason	CHKD	Wilson	MATL:	Wilson	TOLERANCE	Mason	DATE	11.06.2015
APPD:	Schumi			FINISH	Jamy		Sheet No.	1 from 4	

[www.edcon-components.com](http://www.edcon-components.com)

email: [info@edcon-components.com](mailto:info@edcon-components.com)

# EDCON-COMPONENTS



## SPECIFICATION:

Housing:	PA66 + G33	Cover:	PA66 + G30	Stem3:	PA66 + G30
Stem1:	PA66 + G30	Stem2:	PA66 + G30		

Description	Test Condition	Requirements
Press force	Placing the switch such that the direction of switch is vertical, and then gradually increasing the load applied to the center of the knob the maximum load for the knob to come to a stop shall be measured.	160 ± 50gr. 250 ± 70gr.
Travel	Placing the switch such that the direction of switch is vertical, and then applying a static load twice the opening force to the center of the knob, the travel distance for the knob to come to a stop shall be measured	0,3 +0,2/-0,1mm
Return force	The sample switch is installed such that the direction of switch is vertical and upon depression of knob in its center the whole travel distance, the force of the knob to return to its free position shall be measured.	<50gr.
Waterproof test	Put the switches into the 70°C FC-40 solution, after five minutes, observing the situation.	As show in item 2-7
Actuator strength	To the press direction 10N until the stop for 5sec.	Item 2-7 Shall be satisfied. Without damage of actuator. Function and action is in gear.
Soldering Heat	The soldering area of the terminal shall be immersed into molten solder at a temperature of 260°C for 3sec	As show in item 2-7
Operating Life	1.000.000 cycles of a knob operation shall be performed continuously at a rate of 2-3 cycles/sec.	Press force ±30% of initial force, contact resistance ≤ 500mΩ, insulation resistance ≥10MΩ withstand voltage: No arcing or break down shall occur.
Invariableness damp heat	Switch for test shall be stored at a temperature 60 ±2°C and a relative humidity of 90~95% for 96hours. Then the switch shall be maintained at standard atmospheric conditions for an hour after which measurement shall be made within 48hours.	Contact resistance ≤ 500mΩ, insulation resistance ≥10M Ω withstand voltage. No arcing or break down shall occur.
Resistance high Temperature	Switch for test shall be stored at a temperature of 85°C ±2°C for 48hours, and at standard atmospheric conditions for 1 hour then to be measured within 1 hour.	As show in item 2-7
Cold proof	Switch for test shall be stored at a temperature of -40°C ±2°C for 48hours, and at standard atmospheric conditions for 1 hour then to be measured within 1 hour.	As show in item 2-7

**SMT Tact Switch  
10x10mm**

Part No.: **Q12023**

DRW:	Jason	CHKD	Wilson	MATL:	Wilson	TOLERANCE	Mason	DATE	12.05.2014	Customer:
APPD:	Schumi			FINISH	Jamy		Sheet No.	2 from 4		

# EDCON-COMPONENTS



## Ordering Informations

Serie	Total height w. Body	special function	Operating Force	special function	Electrical life	Cap Option	ROHS	Packing		
<b>Q12023</b>	<b>065</b>	<b>N</b>	<b>251</b>	<b>N</b>	<b>105</b>	<b>N</b>	<b>R</b>	<b>TR</b>		

<b>065</b> = 6,5mm	<b>N</b> = no special function	<b>161</b> = 160gr	<b>N</b> = no special function	<b>105</b> = 1000000 Cycles	<b>N</b> = No Cap	<b>N</b> = Non ROHS	<b>TR</b> = Tape/Reel Packing
<b>130</b> = 13,0mm		<b>251</b> = 250gr				<b>R</b> = ROHS conform	<b>TU</b> = Tube Packing
<b>220</b> = 22,75mm							<b>BU</b> = Bulk Ware
<b>330</b> = 33,70mm							

**SMT Tact Switch  
10x10mm**

Part No.: **Q12023**

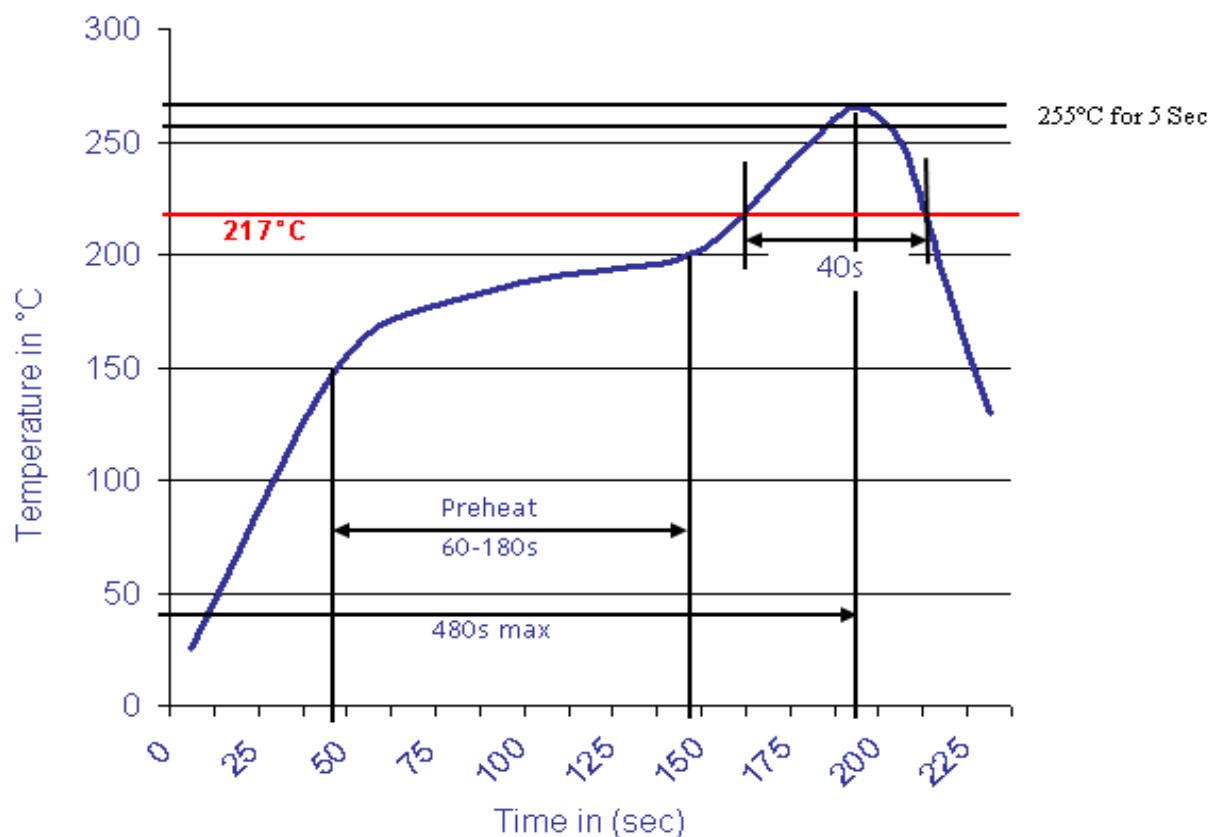
DRW:	Jason	CHKD	Wilson	MATL:	Wilson	TOLERANCE	Mason	DATE	11.06.2015
APPD:	Schumi			FINISH	Jamy		Sheet No.		3 from 4

Customer:



Soldering Profile Curve

Classification Reflow Profile (JEDEC J-STD-020C)



**SMT Tact Switch  
10x10mm**

Part No.: **Q12023**

DRW:	Jason	CHKD	Wilson	MATL:	Wilson	TOLERANCE	Mason	DATE	11.06.2015
APPD:	Schumi			FINISH	Jamy		Sheet No.	4 from 4	Customer: